

## SG-2030

### FEATURES

Though completely transistorized and compact, the SG-2030 is quipped with a calibrating device. Used with a crystal, it provides a very high degree of frequency accuracy.

### SPECIFICATIONS

Frequency range:	250 KHz to 100 MHz on 6 fundamental bands 100 MHz to 300 MHz on harmonics
Frequency accuracy:	Plus or minus 0.01% with calibrator
Modulator:	Internal, at 1,000 Hz, depth variable from 0 to 60%
RF output:	Max. 0.1 V (RMS)
AF output:	1 KHz, 0.5 V (RMS)
Semiconductors:	Silicon transistor x 5, PNP x 1, zener diode x 1, silicon diode x 1
Accessories:	1-coaxial output cable 1-magnetic earphone
Power supply:	AC 50/60 Hz, 115 or 220-240 V, as specified
Dimensions:	180 (W) x 90 (H) x 100 (D) mm
Net weight:	1.1 kg

## INSTRUCTIONS

- (1) Turn the FUNCTION switch clockwise to energize the generator. Set it on M.O., CAL, or X'TAL as required.

M.O. (master oscillator): The carrier (A1) becomes available on the output terminals.

CAL.: With the switch in this position, the generator can be calibrated with a crystal connected to the crystal terminals. An HC-6/U crystal with a 1-MHz or 10-MHz frequency will be appropriate.

Using the supplied earphone, listen to the zero beats to calibrate the generator.

By turning the knob on the dial, it is possible to shift the scale lines.

X'TAL: With a crystal connected to the crystal terminals, a signal due solely to the oscillation of the crystal emerges on the output terminals.

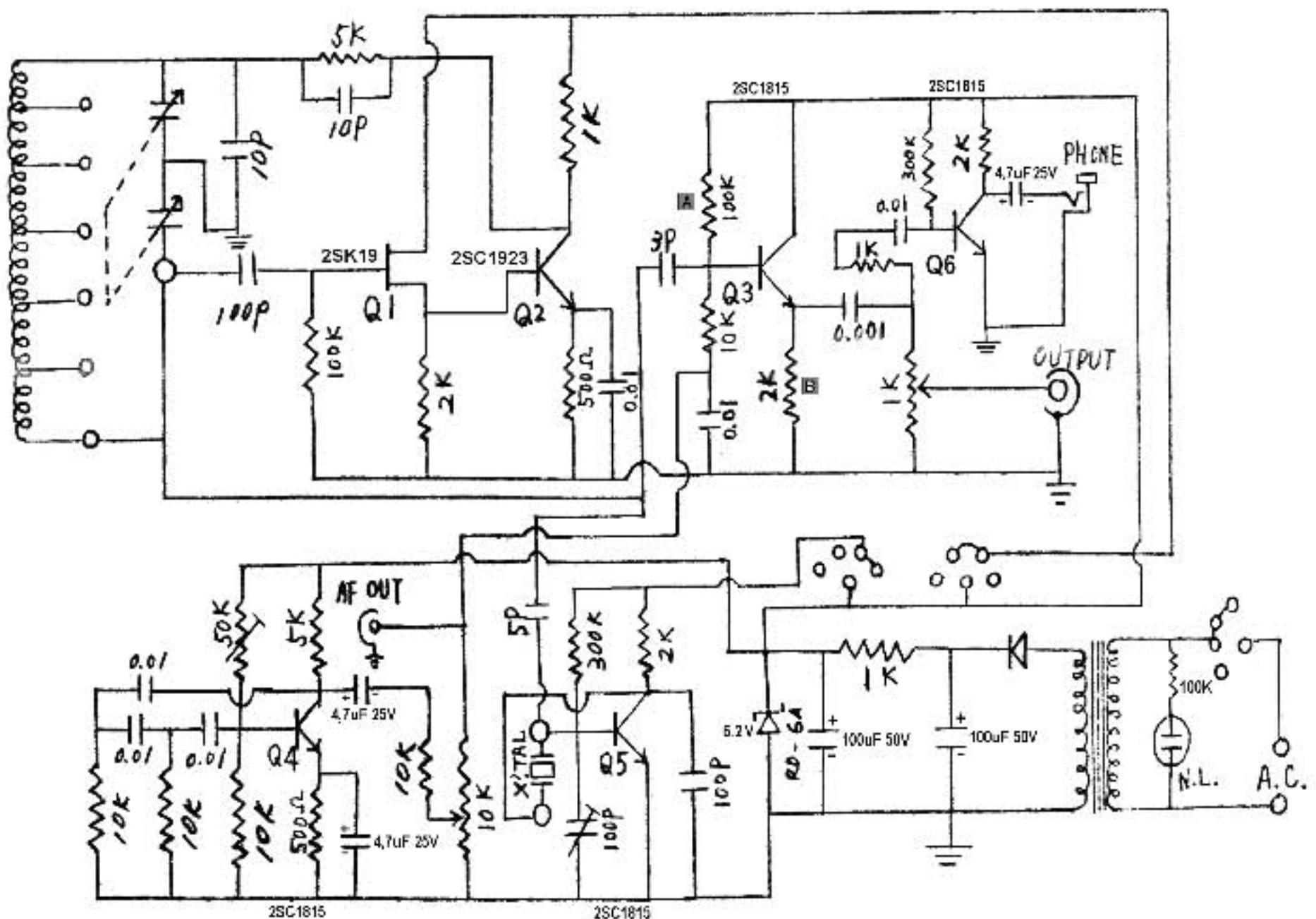
- (2) Set the RANGE switch for the desired frequency range.

### Frequency range

A:	250 KHz	to	700 KHz
B:	500 KHz	to	1.5 MHz
C:	1.5 MHz	to	5.0 MHz
D:	4 MHz	to	14 MHz
E:	12 MHz	to	40 MHz
F:	25 MHz	to	100 MHz
Harmonics	100 MHz	to	300 MHz

- (3) MOD: Turning on the MOD switch causes the RF signal to be modulated by an internal audio signal. The modulation degree can be varied by means of a MOD knob.
- (4) Adjust the ATT knob as required.
- (5) Connect the supplied coaxial cable to the RF output terminal, and connect the alligator clip to a testing unit.
- (6) When the AF signal required connect the output cable to the AF output terminal.

SG-2030 SCHEMATIC DIAGRAM



Changes in any device  
A - 82 K  
B - 820 Ohms

