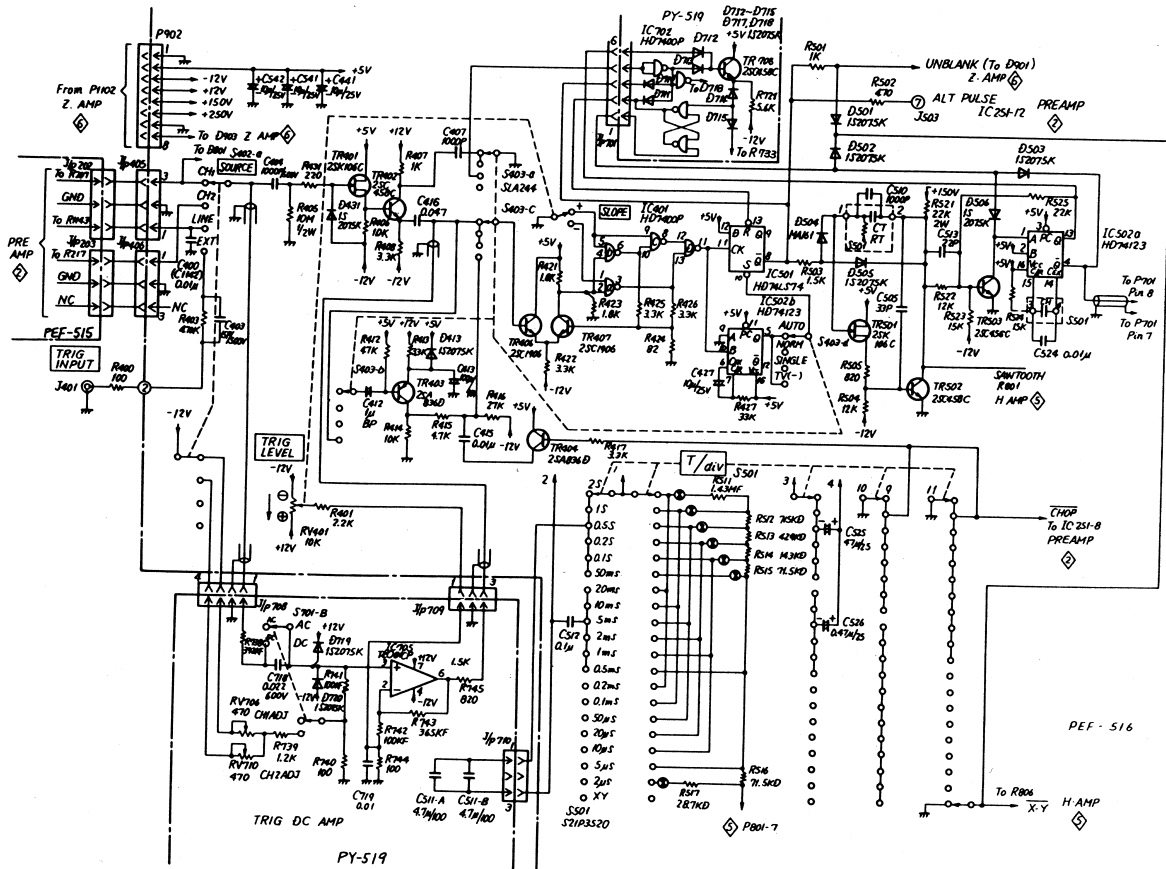
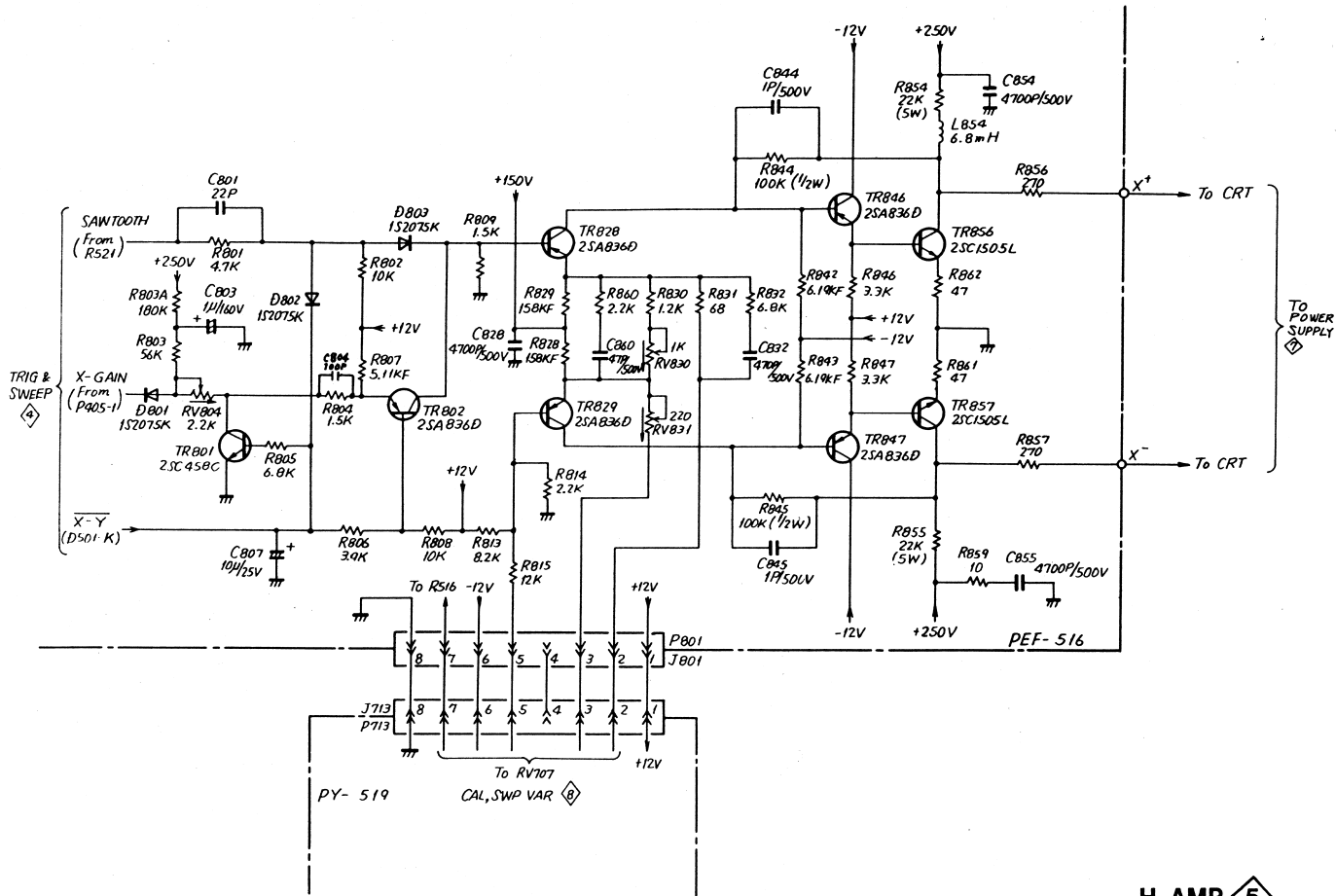


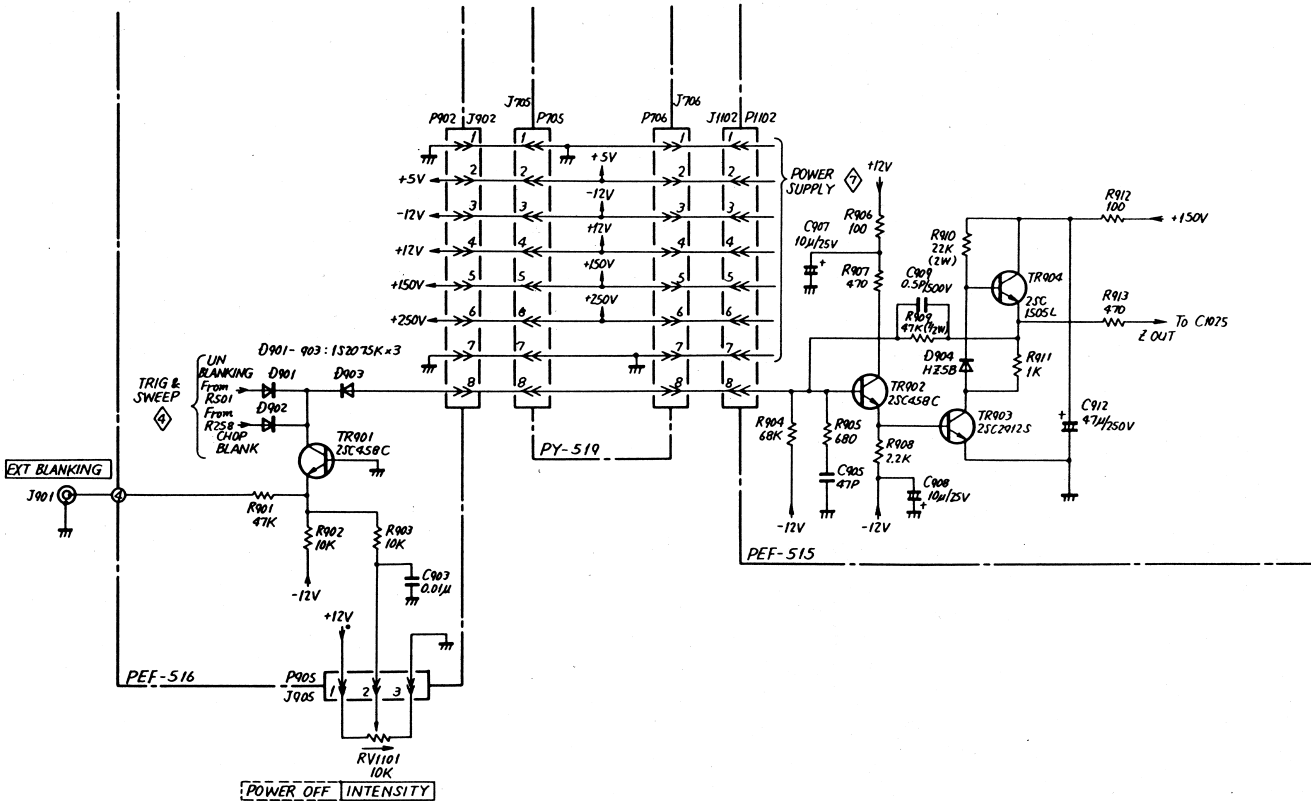
V OUT 3

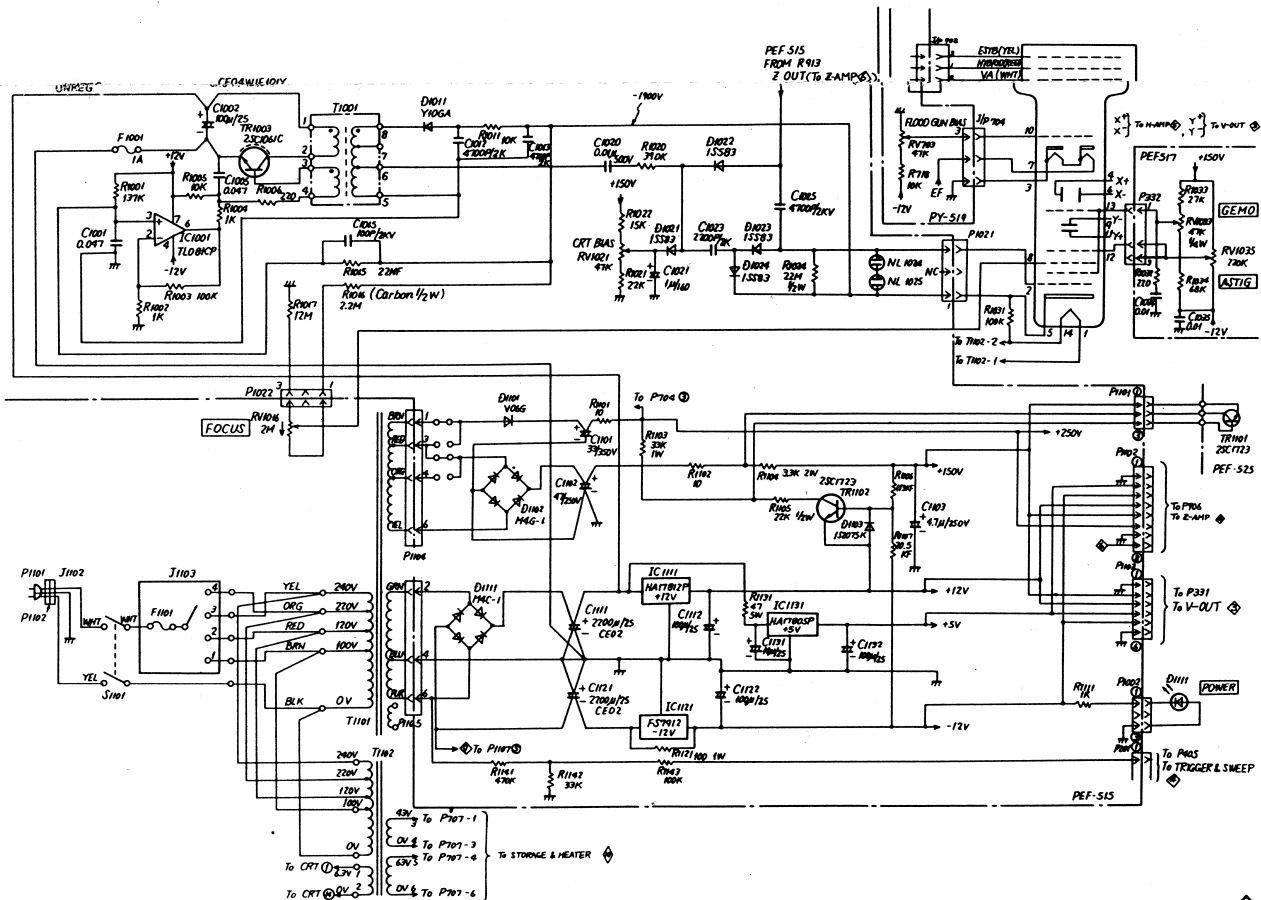


TRIGGER & SWEEP 4

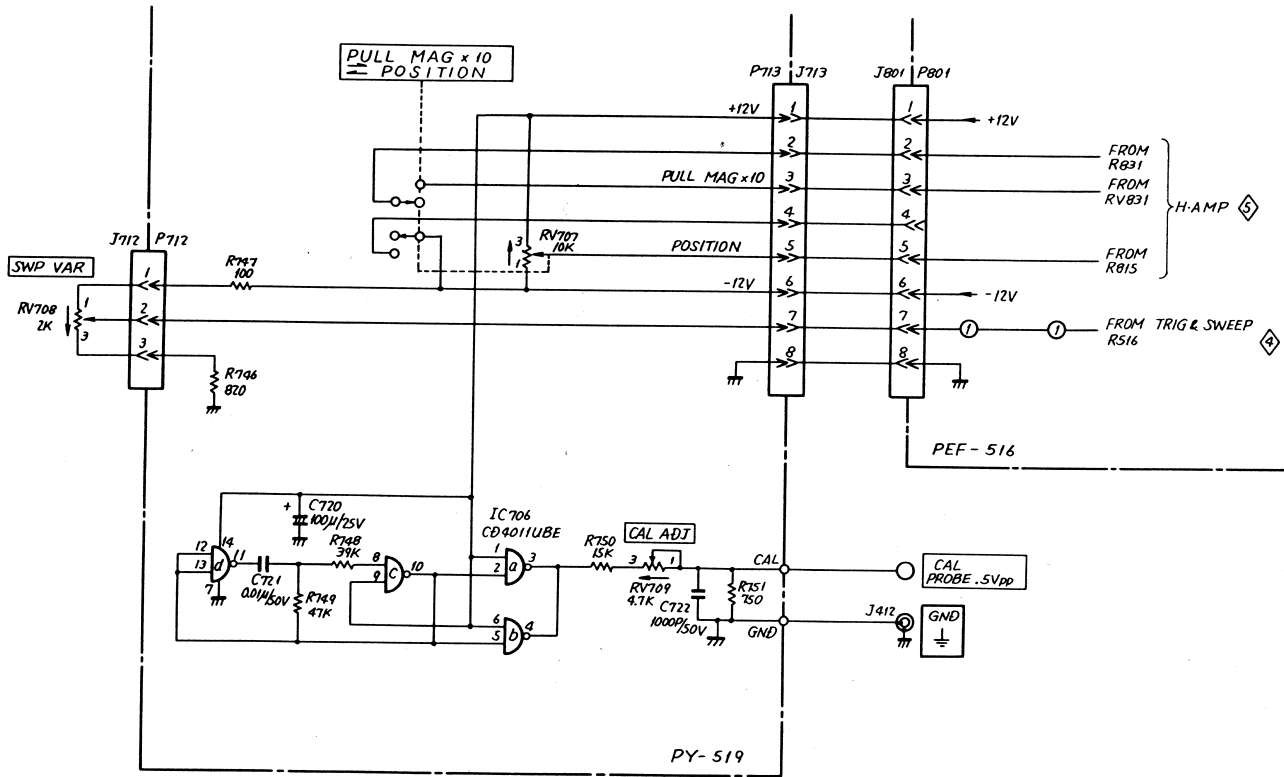


H AMP 5

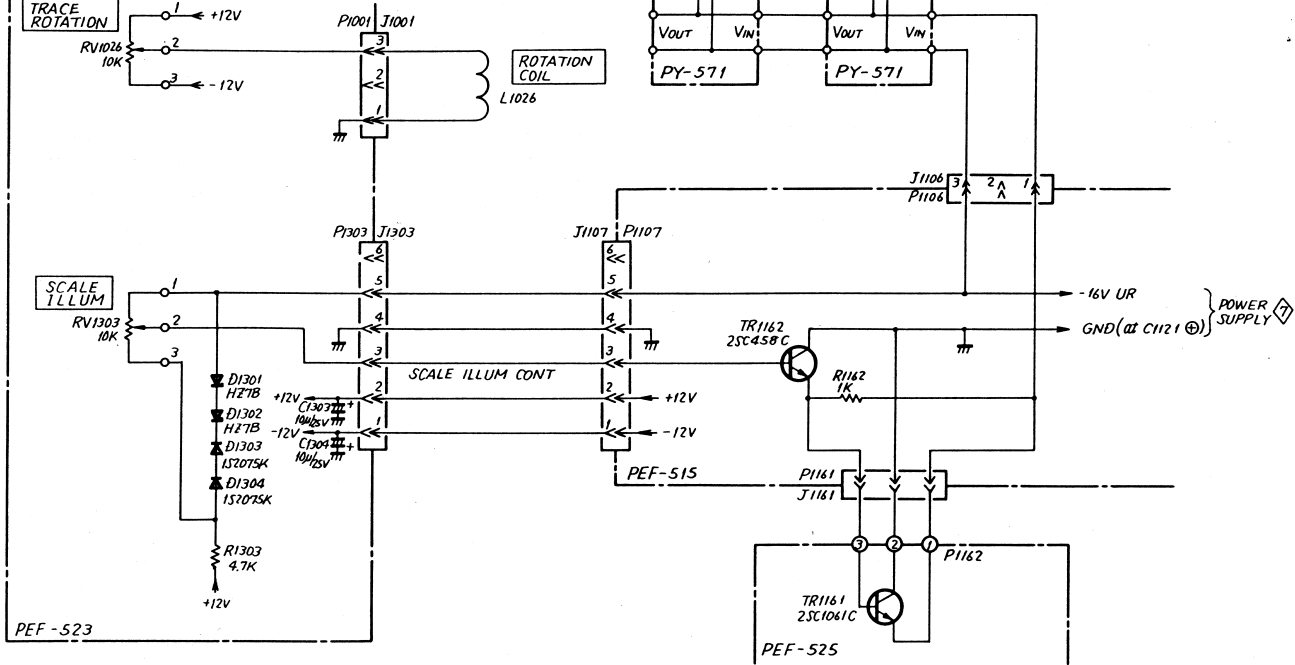




POWER SUPPLY 7



CAL, SWP VAR & POS 8



TRACE ROTATION & SCALE ILLUM 9

