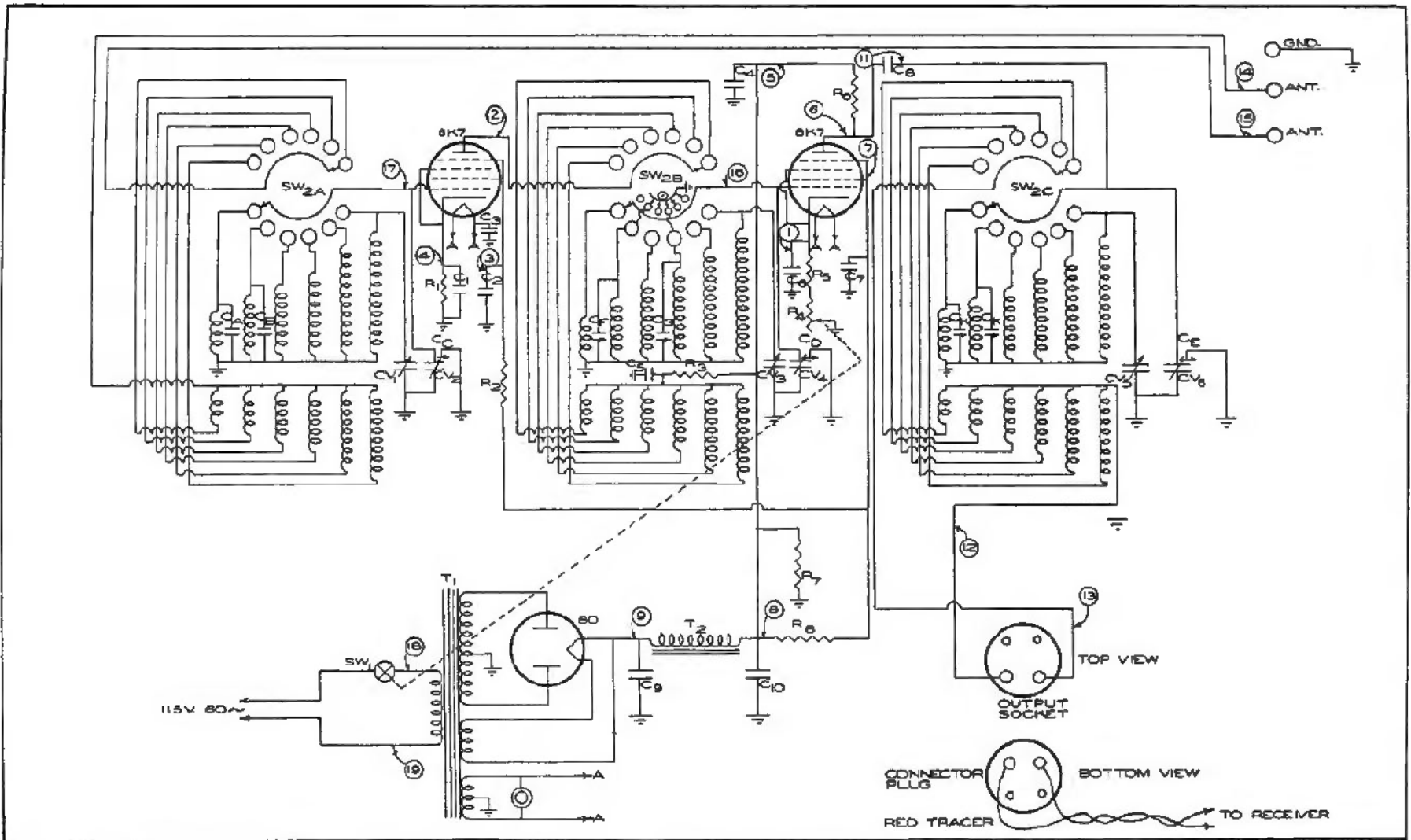


OME-50063
 WITH ANTENNA CHANGEOVER
 SWITCH

B-59

RADIO MFG. ENGINEERS INC.
 PEORIA ILLINOIS



NAVY TYPE
CME-50063
PRESELECTOR

B-6

RADIO MFR. ENGINEERS INC.
PEORIA ILLINOIS

DATE-3-12-42.
DRAWN BY-F.N.O.
APPROVED BY-

CHANGED-0 ADDED 3-31-42 BY
F.N.O.

CME-5D063 PRESELECTOR PARTS LIST

RESISTORS:

R ₁	300 ohm, 1/3 watt
R ₂	10,000 ohm, 1/3 watt
R ₃	10,000 ohm, 1 watt
R ₄	30,000 ohm Variable Gain Control w/line switch SW ₁
R ₅	300 ohm, 1/3 watt
R ₆	10,000 ohm, 1 watt
R ₇	15,000 ohm, 10 watt
R ₈	50,000 ohm, 1 watt

CONDENSERS:

C ₁	.01 mfd. 400 volt bypass
C ₂	.01 mfd. 400 volt bypass
C ₃	.002 mfd. 600 volt bypass
C ₄	.01 mfd. 600 volt bypass
C ₅	.01 mfd. 400 volt bypass
C ₆	.01 mfd. 400 volt bypass
C ₇	.01 mfd. 400 volt bypass
C ₈	.0001 mfd. 600 volt coupling
C ₉	10 mfd. Filter)
C ₁₀	10 mfd. Filter) Dual Unit
C _a	5 - 30 mmf. adjustable padder
C _b	5 - 30 mmf. adjustable padder
C _f	5 - 30 mmf. adjustable padder
C _g	5 - 10 mmf. adjustable padder
C _h	5 - 30 mmf. adjustable padder
C _k	5 - 50 mmf. adjustable padder
C _c , C _d , C _e	Variable condenser trimmers
C _{v1-6}	Variable tuning condenser

TRANSFORMER AND CHOKE:

T ₁	Power Transformer
T ₂	Filter Choke

SWITCHES:

SW ₁	Line Switch
SW _{2a} , SW _{2b} , SW _{2c}	Band Change Switch Sections
A	Antenna Change-over Switch

TUBES

2	6K7
1	60

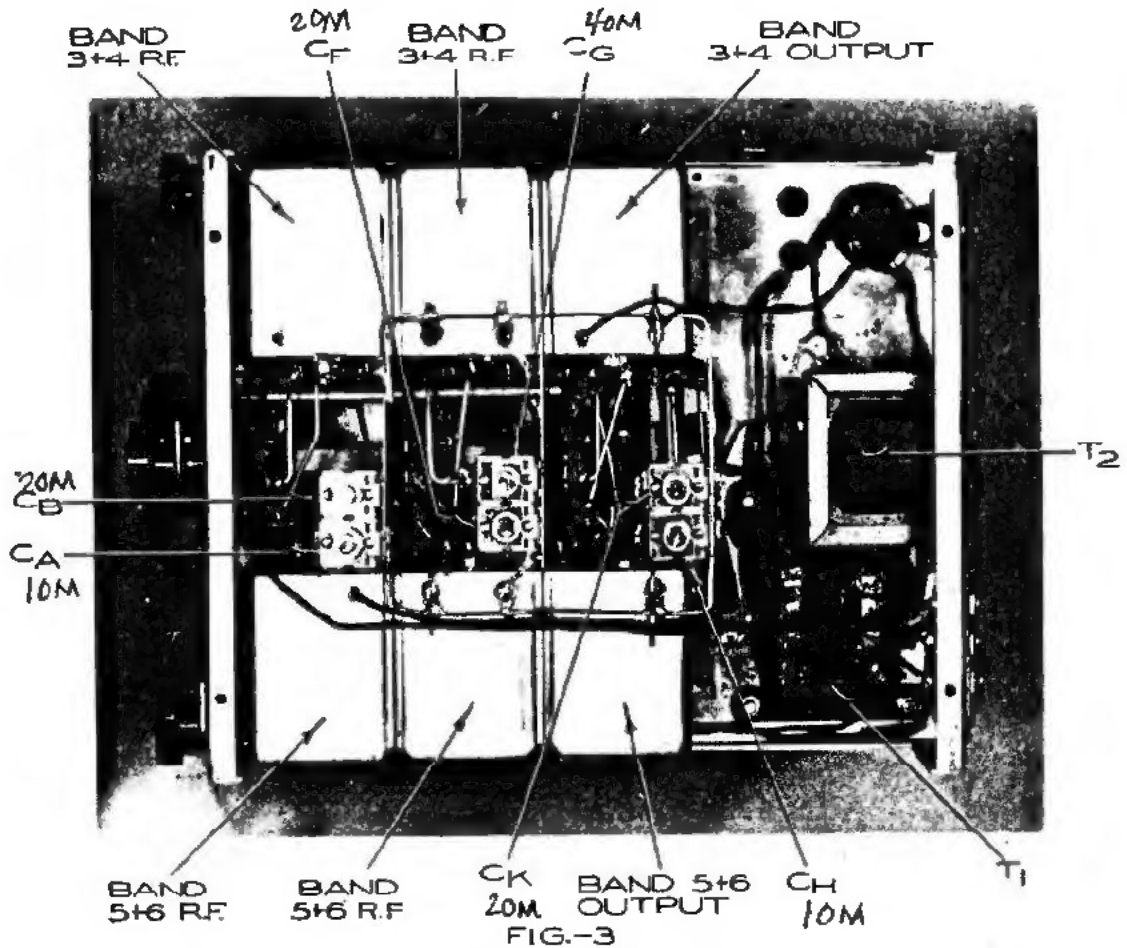


FIG-3

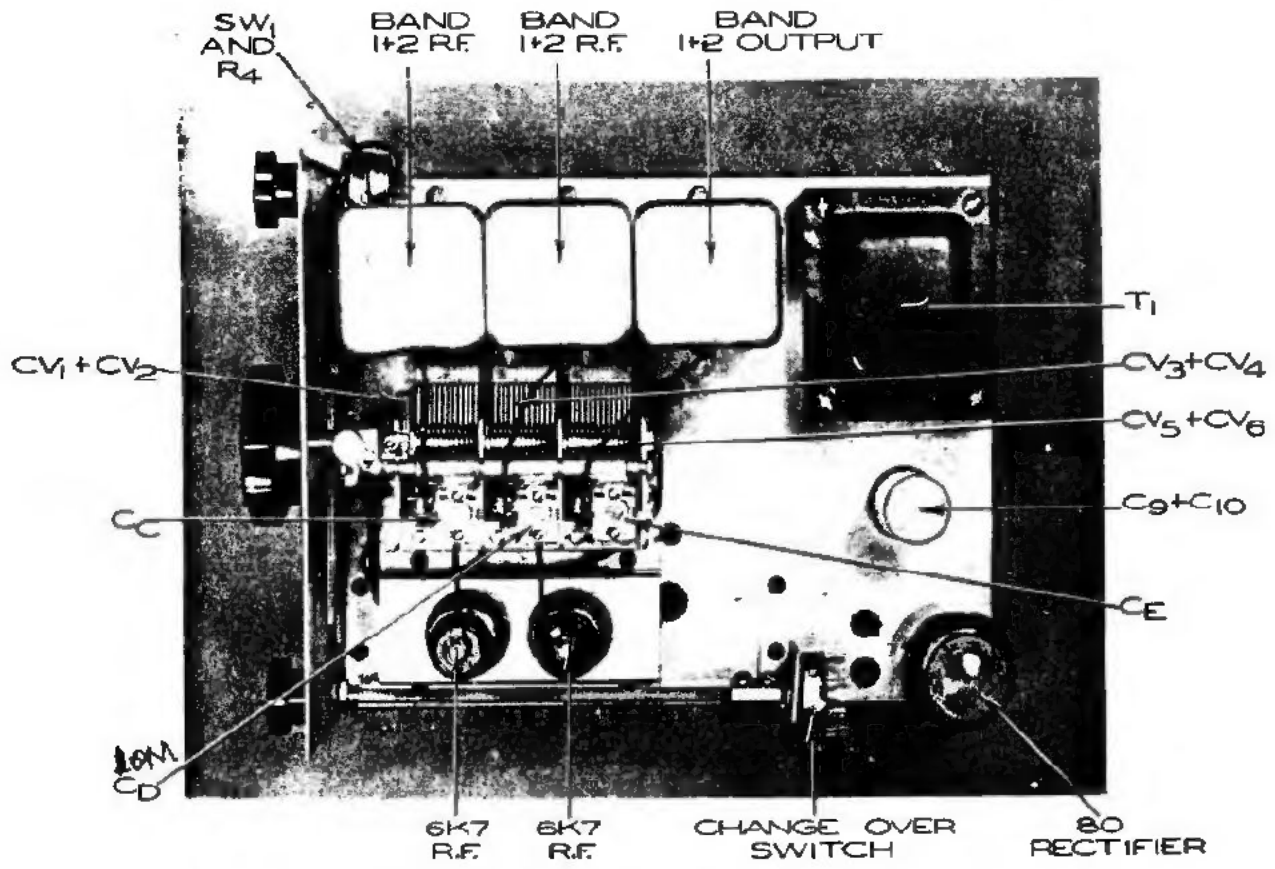


FIG-4



FIG.-1

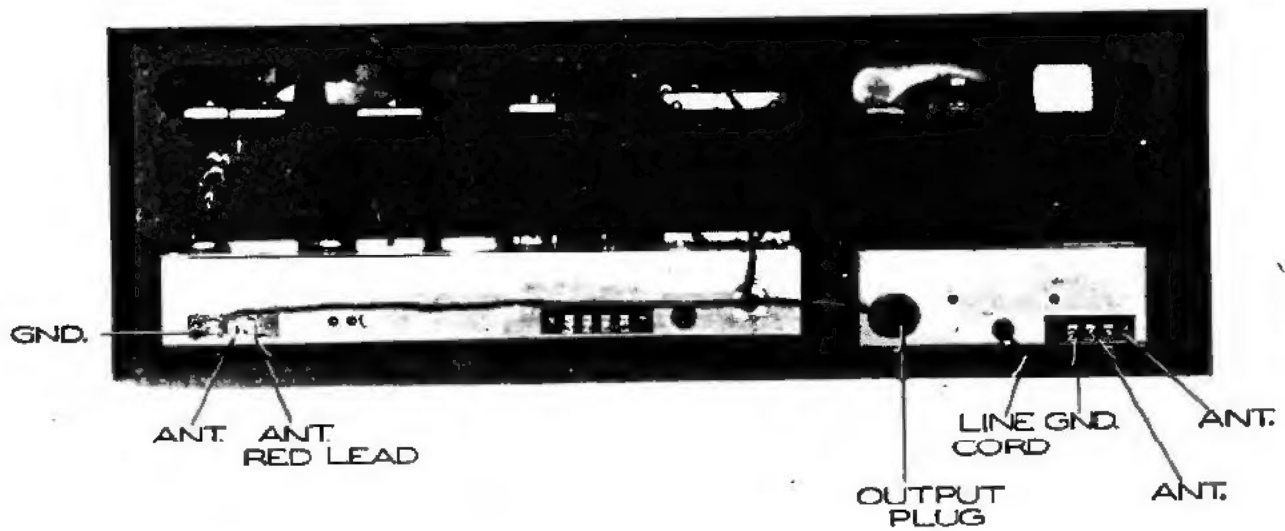


FIG.-2