

HAL COMMUNICATIONS CORP.
 BOX 365, URBANA, ILLINOIS 61801

**CWR 6850 DEMODULATOR
 SCHEMATIC**

DATE 6/2/82	SCALE
DRN BY S. COWAP	No. A1439
APP BY	

1

2

3

4

5

6

7

8

A

B

C

D

E

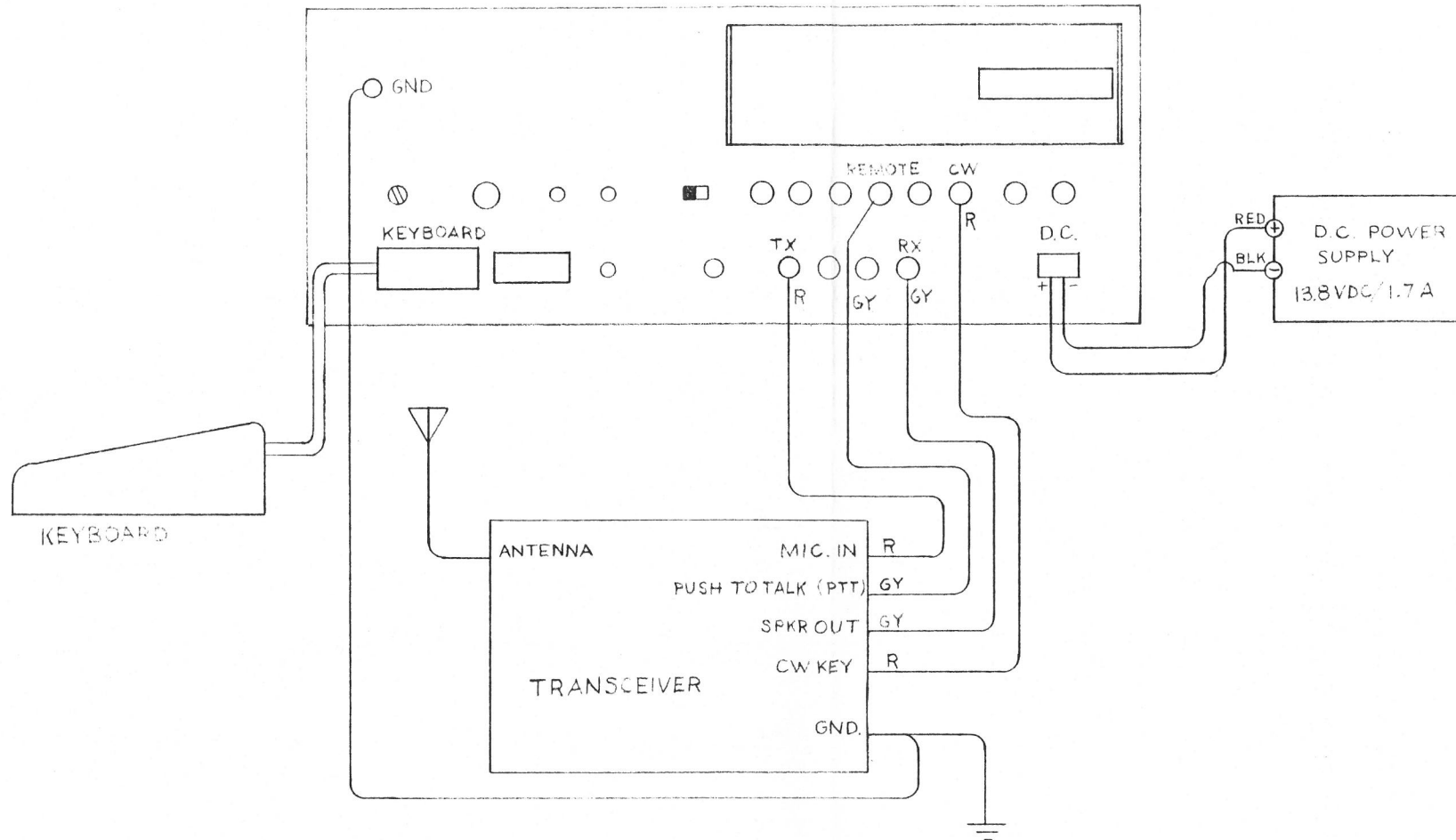
A


B

C

D

E



 HAL COMMUNICATIONS CORP. BOX 365, URBANA, ILLINOIS 61801	
FIGURE 2 SIMPLIFIED CWR-685A CONNECTIONS	
DATE 12/29/81	SCALE
DRN BY S. COWAP APP BY GWH	No. C1037

1

2

3

4

5

6

7

8

1

2

3

4

5

6

7

8

A

B

C

D

E

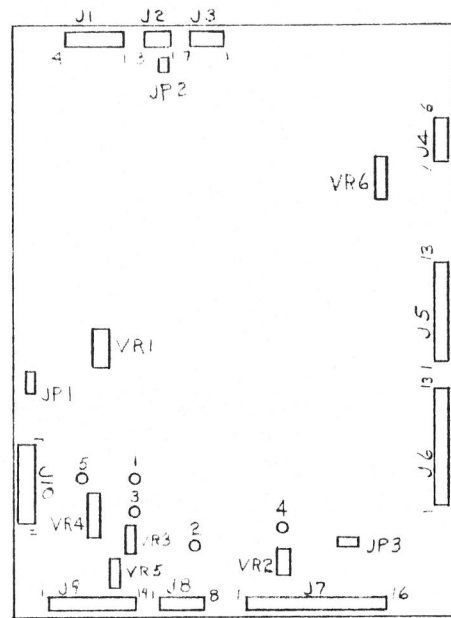
A

B

C

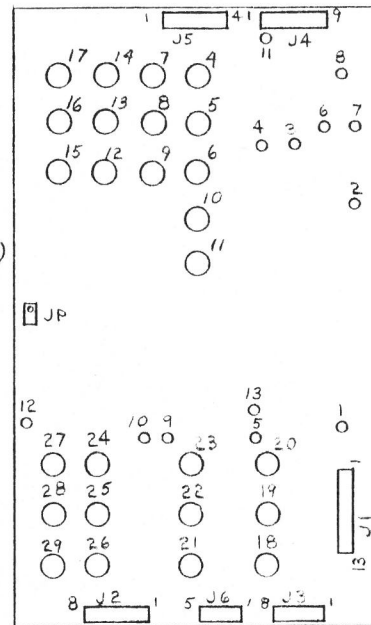
D

E



DIGITAL (TOP) BOARD

- - VARIABLE RESISTOR (VR)
- - TEST POINT (TP)



MODEM (BOTTOM) BOARD

HAL COMMUNICATIONS CORP.	
BOX 365, URBANA, ILLINOIS 61801	
FIGURE 10	
TEST POINTS AND ADJUSTMENTS	
DATE 12/29/81	SCALE
DRN BY S. COWAP	No. C1039
APP BY GWT	

1

2

3

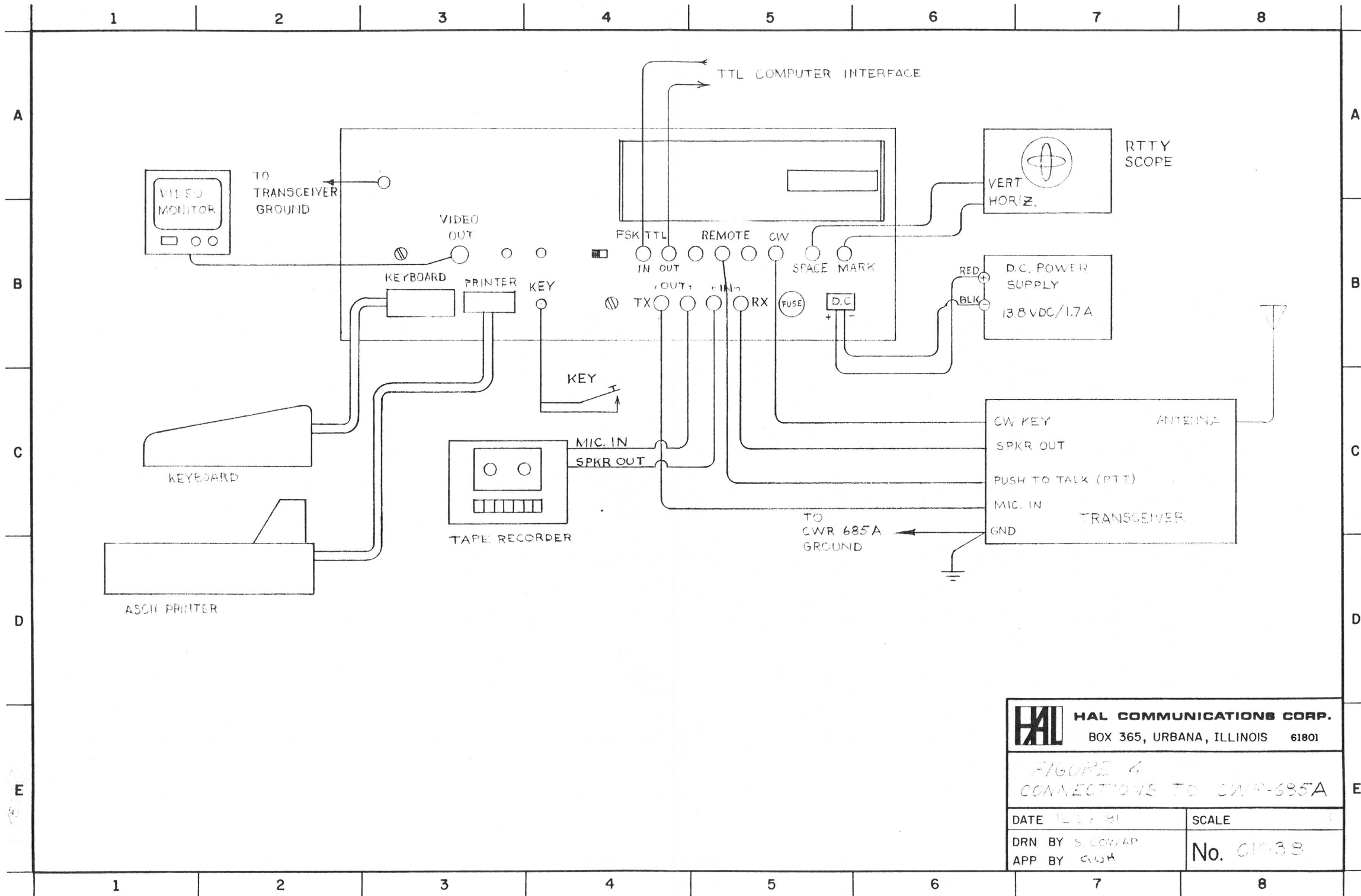
4

5

6

7

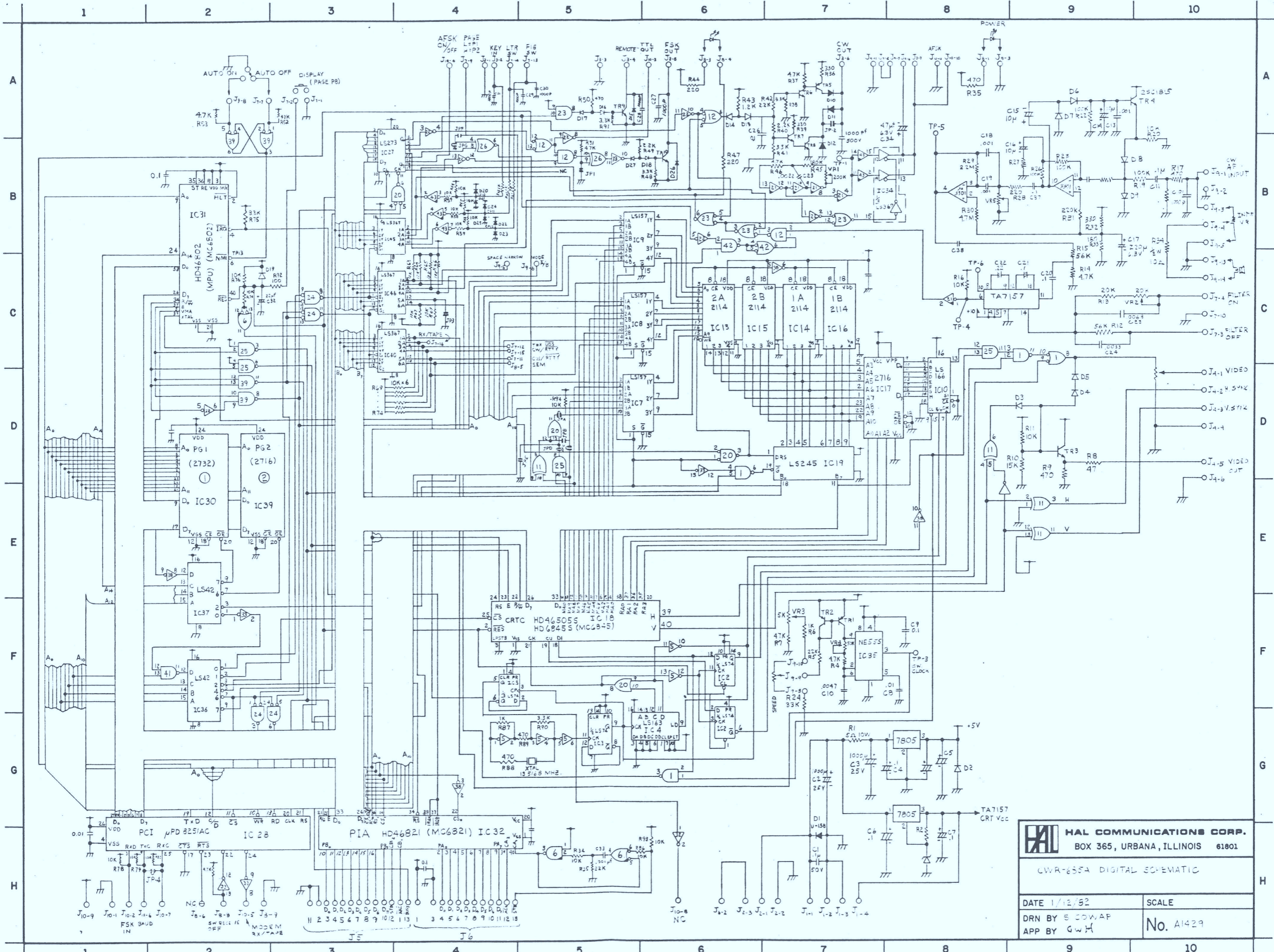
8




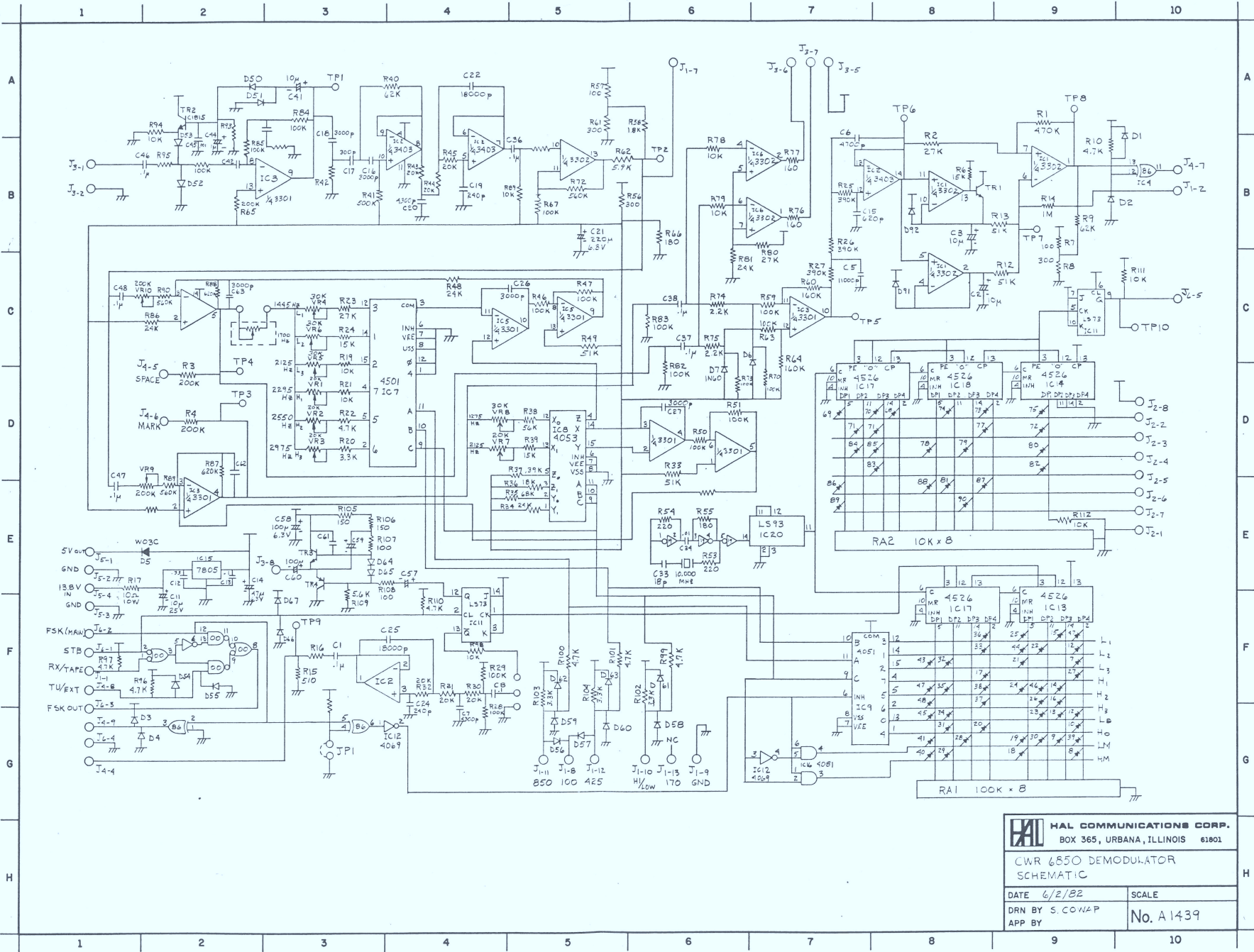
HAL HAL COMMUNICATIONS CORP.
 BOX 365, URBANA, ILLINOIS 61801

FIGURE 4
 CONNECTIONS TO CWR-685A

DATE 12/17/81	SCALE
DRN BY S. COWAP	No. 61038
APP BY GJM	



 HAL COMMUNICATIONS CORP. BOX 365, URBANA, ILLINOIS 61801	
CWR-255A DIGITAL SCHEMATIC	
DATE 1/12/82	SCALE
DRN BY S. COWAP	No. A1429
APP BY G.W.H.	



HAL COMMUNICATIONS CORP.
 BOX 365, URBANA, ILLINOIS 61801
CWR 6850 DEMODULATOR
SCHEMATIC
 DATE 6/2/82 SCALE
 DRN BY S. COHAP
 APP BY No. A1439

