

ID-51A ID-51E

**NOTE: Use these amended pages as one addendum set.
Do not mix them up with the previous master pages.**

CONTENTS

REPLACEMENT PAGES 7 - 1 and 7 - 2

AMENDED PAGES:

PARTS LIST 1
BOARD LAYOUTS (MAIN UNIT: B-7721G) 14
VOLTAGE DIAGRAM 16

[VERSION LIST]

MODEL	VERSION NUMBER	VERSION
ID-51E	#02	EUR
	#03	UK
	#04	ITR
ID-51A	#05	USA
	#06	KOR
	#07	EXP
	#08	EXP-01
ID-51E	#09	CHN*
ID-51A	#10	AUS*
ID-51E	#12	EUR-01*
ID-51A	#15	USA-01*
ID-51E	#22	EUR-02*
ID-51A	#25	USA-02*
ID-51E	#32	EUR-03*
ID-51A	#35	USA-03*
ID-51E	#42	EUR-04*
ID-51A	#45	USA-04*
ID-51E	#52	EUR-05*
ID-51A	#55	USA-05*
ID-51E	#62	EUR-06*
	#63	UK-06*
ID-51A	#65	USA-06*
ID-51E	#69	CHN-06*

*Newly added version.

SECTION 7 MECHANICAL PARTS

[CHASSIS PARTS]

REF NO.	ORDER NO.	DESCRIPTION	QTY.
J1	6910015630	2682 ANT CONNECTOR <EIK>	1
SP1	2510001890	C28N09M-1 <NIK>	1
W1	8910000460	FFC-1050 (FT12-10N050XXA)<VKHK>	1
EP1	6910025280	GPS-118B-080	1
MP1	8010022511	3390 CHASSIS-1	1
MP2	8210028210	3390 FRONT PANEL (A) ASSEMBLY *2 [EUR]	1
	8210028210	3390 FRONT PANEL (A) ASSEMBLY *2 [UK]	1
	8210028210	3390 FRONT PANEL (A) ASSEMBLY *2 [ITR]	1
	8210028200	3390 FRONT PANEL ASSEMBLY *1 [USA]	1
	8210028200	3390 FRONT PANEL ASSEMBLY *1 [KOR]	1
	8210028200	3390 FRONT PANEL ASSEMBLY *1 [EXP]	1
	8210028200	3390 FRONT PANEL ASSEMBLY *1 [EXP-01]	1
	8210028200	3390 FRONT PANEL ASSEMBLY *1 [CHN]	1
	8210028200	3390 FRONT PANEL ASSEMBLY *1 [AUS]	1
	8210030400	3390 FRONT PANEL (B) ASSEMBLY (Black) [EUR-01]	1
	8210030400	3390 FRONT PANEL (B) ASSEMBLY (Black) [USA-01]	1
	8210030440	3390 FRONT PANEL (F) ASSEMBLY (White) [EUR-02]	1
	8210030440	3390 FRONT PANEL (F) ASSEMBLY (White) [USA-02]	1
	8210030420	3390 FRONT PANEL (D) ASSEMBLY (Blue) [EUR-03]	1
	8210030420	3390 FRONT PANEL (D) ASSEMBLY (Blue) [USA-03]	1
	8210030430	3390 FRONT PANEL (E) ASSEMBLY (Green)[EUR-04]	1
	8210030430	3390 FRONT PANEL (E) ASSEMBLY (Green)[USA-04]	1
	8210030410	3390 FRONT PANEL (C) ASSEMBLY (Red) [EUR-05]	1
	8210030410	3390 FRONT PANEL (C) ASSEMBLY (Red) [USA-05]	1
	8210028211	3390 FRONT PANEL (A) ASSEMBLY-1 [EUR-06]	1
	8210028211	3390 FRONT PANEL (A) ASSEMBLY-1 [UK-06]	1
	8210028201	3390 FRONT PANEL ASSEMBLY-1 [USA-06]	1
	8210028201	3390 FRONT PANEL ASSEMBLY-1 [CHN-06]	1
MP3	8210028020	3390 REAR PANEL	1
MP6	8310080730	3390 WINDOW PLATE [EUR]	1
	8310080730	3390 WINDOW PLATE [UK]	1
	8310080730	3390 WINDOW PLATE [ITR]	1
	8310080730	3390 WINDOW PLATE [USA]	1
	8310080730	3390 WINDOW PLATE [KOR]	1
	8310080730	3390 WINDOW PLATE [EXP]	1
	8310080730	3390 WINDOW PLATE [EXP-01]	1
	8310080730	3390 WINDOW PLATE [CHN]	1
	8310080730	3390 WINDOW PLATE [AUS]	1
	8310085830	3390 WINDOW PLATE (B) [EUR-01]	1
	8310085830	3390 WINDOW PLATE (B) [USA-01]	1
	8310080730	3390 WINDOW PLATE [EUR-02]	1
	8310080730	3390 WINDOW PLATE [USA-02]	1
	8310080730	3390 WINDOW PLATE [EUR-03]	1
	8310080730	3390 WINDOW PLATE [USA-03]	1
	8310080730	3390 WINDOW PLATE [EUR-04]	1
	8310080730	3390 WINDOW PLATE [USA-04]	1
	8310080730	3390 WINDOW PLATE [EUR-05]	1
	8310080730	3390 WINDOW PLATE [USA-05]	1
	8310080730	3390 WINDOW PLATE [EUR-06]	1
	8310080730	3390 WINDOW PLATE [UK-06]	1
	8310080730	3390 WINDOW PLATE [USA-06]	1
	8310080730	3390 WINDOW PLATE [CHN-06]	1
MP7	8210028040	3390 REFLECTOR	1
MP8	8930085930	3390 MAIN SEAL TOT	1
MP12	8930068980	2905 VENT SHEET	1
MP13	8930030920	1301 SHEET	1
MP14	8930058550	O-RING (AS)	1
MP15	8930084870	3384 REAR SHEET	1
MP19	8610014360	KNOB N-397	1
MP20	8610014370	KNOB N-398	1
MP21	8930083090	3322 D-BUTTON	1
MP22	8930083070	3322 LENS	1
MP23	8930083140	3322 CONTACT RUBBER (TOT)	1
MP24	8930083881	O-RING (CK)-1 (TOT)	1
MP25	8930083670	O-RING (CL) (TOT)	1
MP26	8930083680	O-RING (CM) (TOT)	1
MP27	8830003672	VR NUT (AC)-2	1
MP28	8830003660	STEP NUT (M)	1
MP29	8930083700	DOUBLE SIDE TAPE (BM)	1
MP30	8930086950	SPONGE (MD)	1
MP31	8930083810	SPONGE (LJ)	1
MP32	8930083900	INSULATION SHEET (MW)	1
MP33	8930083690	3322 GPS SPONGE	1
MP34	8810010850	PHBT B0 M2X8 SUS SSBC	2
MP35	8810011050	BT M2X3 NI-ZC3	11
MP36	8810011050	BT M2X3 NI-ZC3	6
MP38	8930086021	3322 C-BUTTON (A)-1	1
MP39	8930086030	3390 SD CAP (TOT)	1
MP40	8930086041	3390 JACK CAP-1 (TOT)	1
MP41	8930086050	3322 KEYBOARD (A) (SC)	1

[CHASSIS PARTS]

REF NO.	ORDER NO.	DESCRIPTION	QTY.
MP42	8510020580	3390 SHIELD PLATE <KN>	1
MP43	8510020600	3390 DSP CASE <KN>	1
MP44	8930086060	3390 WINDOW SHEET	1
MP45	8930086070	3390 WHITE SHEET	1
MP46	8930086090	DOUBLE SIDE TAPE (BP)	1
MP47	8930086080	3390 MIC SPONGE	1
MP48	8930087760	FERRITE SHEET (AJ)	1
MP49	8930087770	FERRITE SHEET (AK)	1
MP50	8930087220	3390 INSULATION SHEET	1
MP51	8930085100	SHIELD SPONGE (CW) *1	1
MP52	8930075180	FERRITE SHEET (X)	1
MP53	8930087760	FERRITE SHEET (AJ)	1
MP54	8930088010	3390 LCD PLATE Y1297	1
MP55	8930088500	INSULATION SHEETHB	1
MP56	8930086090	DOUBLE SIDE TAPE (BP)	1
MP57	8930086090	DOUBLE SIDE TAPE (BP)	1
MP59	8930088200	3390 EARTH PLATE [EUR]	1
	8930088200	3390 EARTH PLATE [UK]	1
	8930088200	3390 EARTH PLATE [ITR]	1
	8930088200	3390 EARTH PLATE [USA]	1
	8930088200	3390 EARTH PLATE [CHN]	1
	8930088200	3390 EARTH PLATE [EUR-01]	1
	8930088200	3390 EARTH PLATE [USA-01]	1
	8930088200	3390 EARTH PLATE [EUR-02]	1
	8930088200	3390 EARTH PLATE [USA-02]	1
	8930088200	3390 EARTH PLATE [EUR-03]	1
	8930088200	3390 EARTH PLATE [USA-03]	1
	8930088200	3390 EARTH PLATE [EUR-04]	1
	8930088200	3390 EARTH PLATE [USA-04]	1
	8930088200	3390 EARTH PLATE [EUR-05]	1
	8930088200	3390 EARTH PLATE [USA-05]	1
	8930088200	3390 EARTH PLATE [EUR-06]	1
	8930088200	3390 EARTH PLATE [UK-06]	1
	8930088200	3390 EARTH PLATE [USA-06]	1
	8930088200	3390 EARTH PLATE [CHN-06]	1
MP60	8930088240	INSULATION SHEET (NC) [EUR]	1
	8930088240	INSULATION SHEET (NC) [UK]	1
	8930088240	INSULATION SHEET (NC) [ITR]	1
	8930088240	INSULATION SHEET (NC) [USA]	1
	8930088240	INSULATION SHEET (NC) [CHN]	1
	8930088240	INSULATION SHEET (NC) [EUR-01]	1
	8930088240	INSULATION SHEET (NC) [USA-01]	1
	8930088240	INSULATION SHEET (NC) [EUR-02]	1
	8930088240	INSULATION SHEET (NC) [USA-02]	1
	8930088240	INSULATION SHEET (NC) [EUR-03]	1
	8930088240	INSULATION SHEET (NC) [USA-03]	1
	8930088240	INSULATION SHEET (NC) [EUR-04]	1
	8930088240	INSULATION SHEET (NC) [USA-04]	1
	8930088240	INSULATION SHEET (NC) [EUR-05]	1
	8930088240	INSULATION SHEET (NC) [USA-05]	1
	8930088240	INSULATION SHEET (NC) [EUR-06]	1
	8930088240	INSULATION SHEET (NC) [UK-06]	1
	8930088240	INSULATION SHEET (NC) [USA-06]	1
	8930088240	INSULATION SHEET (NC) [CHN-06]	1
MP61	8930052470	INSULATION SHEETGE	1

[MAIN UNIT]

REF NO.	ORDER NO.	DESCRIPTION	QTY.
J2	6450000870	HEC2711-01-020	1
J3*	6510028130	AXK5S50047YG	1
J4	6510025880	TC38-108-01 <CFE>	1
J5	6450000131	HSJ1102-018540	1
J450*	6510029520	AXK5F12347YG	1
J451*	6510029520	AXK5F12347YG	1
S2	2260001900	SW-149 (SKHLLDA010)	1
W1	8920000570	CAB-1064 (UL3302AWG32 R)	1
W2	8920000570	CAB-1064 (UL3302AWG32 R)	1
MP1	8950007850	3322 CONTACT SPRING <CCP>	1
MP8*	8410002610	2888 PA HEATSINK Y835	1
MP9*	8510017841	OG-321610GK	1
MP10*	8510017841	OG-321610GK	1
MP11*	8510017841	OG-321610GK	1
MP12*	8510017841	OG-321610GK	1
MP13*	8510017841	OG-321610GK	1

*: Refer to "BOARD LAYOUTS" for the location.

** : Refer to "GENERAL WIRING" for the connection

Screw abbreviations A, B0, BT: Self-tapping PH: Pan head ZK: Black NI-ZU: Nickel-Zinc SUS: Stainless

[VCO1 UNIT]

REF NO.	ORDER NO.	DESCRIPTION	QTY.
J1*	6510029530	AXK6F12347YG	1
MP1	8510020590	3390 VCO CASE <KN>	1

[VCO2 UNIT]

REF NO.	ORDER NO.	DESCRIPTION	QTY.
J1*	6510029530	AXK6F12347YG	1
MP1	8510020590	3390 VCO CASE <KN>	1

[LOGIC UNIT]

REF NO.	ORDER NO.	DESCRIPTION	QTY.
J2*	6510028080	27FHSY-RSM1-GAN-TB (LF) (SN)	1
J3*	6510028170	SDHL-8BNS-K-363-A0-ETB (HF)	1
J4*	6510024580	HSJ1621-019011	1
J5*	6510028920	AXK6S50647YG	1
J271*	6510028880	04-6238-010-410-800+	1
DS13	5030003660	M1-1677TFF-4 <TES>	1
MC1	7700003080	F6022AP-SD <TDS>	1
S1*	2260003300	EVQPQHB55	1
S2*	2260003300	EVQPQHB55	1
S3*	2260003300	EVQPQHB55	1
S4*	2260003300	EVQPQHB55	1
S5*	2260003300	EVQPQHB55	1
S6*	2260003300	EVQPQHB55	1
S7*	2260003300	EVQPQHB55	1
S8*	2260003300	EVQPQHB55	1
S9*	2260003300	EVQPQHB55	1
S10*	2260003300	EVQPQHB55	1
S11*	2260003300	EVQPQHB55	1
S12	2250000710	F082EN7510W-1+C L20FX6 <SLVJ>	1
S13*	2260003320	SKRTLAE010	1
S14*	2260003320	SKRTLAE010	1
BT1*	3020000390	ML414HIV01E	1

[ACCESSORIES]

REF NO.	ORDER NO.	DESCRIPTION	QTY.
EP1	6910018620	BLACK HANDY STRAP <TOM>	1
EP2	3310002150	FA-S270C (146/440)	1
EP3	(Option)	BC-167SD [EUR]	1
	(Option)	BC-167SD [ITR]	1
	(Option)	BC-167SA [USA]	1
	(Option)	BC-167SD [KOR]	1
	(Option)	BC-167SA [EXP]	1
	(Option)	BC-167SD [EXP-01]	1
	(Option)	BC-167SC [CHN]	1
	(Option)	BC-167SV [AUS]	1
	(Option)	BC-167SD [EUR-01]	1
	(Option)	BC-167SA [USA-01]	1
	(Option)	BC-167SD [EUR-02]	1
	(Option)	BC-167SA [USA-02]	1
	(Option)	BC-167SD [EUR-03]	1
	(Option)	BC-167SA [USA-03]	1
	(Option)	BC-167SD [EUR-04]	1
	(Option)	BC-167SA [USA-04]	1
	(Option)	BC-167SD [EUR-05]	1
	(Option)	BC-167SA [USA-05]	1
	(Option)	BC-167SD [EUR-06]	1
	(Option)	BC-167SA [USA-06]	1
	(Option)	BC-167SC [CHN-06]	1
EP4	(Option)	BP-271	1
EP5	(Option)	FA-S270E [EUR-01]	1
	(Option)	FA-S270E [USA-01]	1
	(Option)	FA-S270E [EUR-02]	1
	(Option)	FA-S270E [USA-02]	1
	(Option)	FA-S270E [EUR-03]	1
	(Option)	FA-S270E [USA-03]	1
	(Option)	FA-S270E [EUR-04]	1
	(Option)	FA-S270E [USA-04]	1
	(Option)	FA-S270E [EUR-05]	1
	(Option)	FA-S270E [USA-05]	1
MP1	8010022171	MB-127	1

PARTS LIST

[MAIN UNIT]

REF NO.	PARTS NO.	DESCRIPTION	M.	H/V LOCATION
IC1	1110007860	S.IC S-80950CLPF-G7LTFG *0	T	29.9/23.1
IC2	1110007610	S.IC TPA0211DGNR	B	89.2/30.7
IC3	1180004210	S.REG XC6221A402NR-G	T	49.3/20.6
IC4	6910022360	S.DC TPS62110RSAR	B	84.0/12.7
IC5	1110006380	S.IC LM2904PWR	T	21.7/15.3
IC6	1130011671	S.IC MB15E03SLPFV1-G-ER-6E1	T	53.4/33.3
IC8	1190003490	S.IC BQ24113	B	61.1/43.0
IC11	1110007550	S.IC R2A20178NP	B	74.3/27.4
IC12	1110002751	S.IC TA75S01F (TE85RF)	T	14.7/42.8
IC13	1110007320	S.IC NJM2591V-TE1-#ZZZB	B	67.4/33.7
IC14	1110006380	S.IC LM2904PWR	T	15.7/36.6
IC15	1180003460	S.REG NJM2831F05-TE1-#ZZZB	T	51.9/47.1
IC16	1110006490	S.IC LMV321IDCKR	B	77.2/38.1
IC17	1180003920	S.REG XC6222D421MR-G	T	88.8/32.0
IC18	1130009981	S.IC TC7W53FK (TE85LF)	B	75.3/20.3
IC20	1110006490	S.IC LMV321IDCKR	B	82.8/28.4
IC441	1110008020	S.IC SI4730-D60-GMR <MAC>	B	83.1/35.7
IC450	1130011671	S.IC MB15E03SLPFV1-G-ER-6E1	T	45.7/14.8
IC901	1110007320	S.IC NJM2591V-TE1-#ZZZB	B	72.8/11.0
IC952	1130016460	S.IC R2A20169SA	T	33.9/12.8
IC953	1130011760	S.IC CD4094BPWR	B	69.1/22.0
IC955	1110006490	S.IC LMV321IDCKR	B	77.2/35.4
Q1	1590004100	S.TRA LDTC144TET1G <SLVJ>	T	31.7/25.4
Q2	1550000240	S.FET TPCF8107 (TE85LF)	T	24.9/21.7
Q3	1590004100	S.TRA LDTC144TET1G <SLVJ>	T	33.6/22.9
Q8	1550000240	S.FET TPCF8107 (TE85LF)	T	23.1/25.0
Q10	1590004050	S.TRA LDTA144EET1G <SLVJ>	T	66.6/41.4
Q11	1590004070	S.TRA LDTC144EET1G <SLVJ>	T	68.9/41.0
Q12	1530003990	S.TRA 2SC4738-BL (TE85LF)	T	53.0/26.9
Q17	1510001100	S.TRA 2SA1832-GR (TE85RF)	T	24.2/12.5
Q19	1590004070	S.TRA LDTC144EET1G <SLVJ>	T	27.4/12.0
Q20	1560001730	S.FET RUE002N2 TL	B	86.2/28.9
Q26	1560000541	S.FET 2SK880-Y (T5RICOMF)	T	53.8/40.8
Q36	1590004300	S.TRA DRA9114TOL	B	64.3/26.7
Q37	1510001100	S.TRA 2SA1832-GR (TE85RF)	T	37.8/23.5
Q38	1530003990	S.TRA 2SC4738-BL (TE85LF)	T	63.9/30.6
Q39	1530004320	S.TRA MT3S19TU (TE85L) *0	B	18.7/40.4
Q40	1530003990	S.TRA 2SC4738-BL (TE85LF)	B	61.2/28.0
Q41	1560001710	S.FET RFM01U7P (TE12LF)	B	10.0/38.3
Q43	1590004070	S.TRA LDTC144EET1G <SLVJ>	B	19.1/28.7
Q44	1530002921	S.TRA 2SC4226-T1 Y25 (R25)	B	57.7/35.9
Q45	1560001720	S.FET RFM12U07X (T2LICOMQ)	T	8.0/30.0
Q48	1530003260	S.TRA 2SC5006-T1	T	34.9/28.5
Q49	1530003990	S.TRA 2SC4738-BL (TE85LF)	B	53.1/28.4
Q50	1530003990	S.TRA 2SC4738-BL (TE85LF)	B	57.8/28.4
Q51	1530003990	S.TRA 2SC4738-BL (TE85LF)	T	28.4/28.6
Q451	1560000541	S.FET 2SK880-Y (T5RICOMF)	T	45.2/7.4
Q470	1590004610	S.TRA DMA561050R	T	44.0/20.2
Q471	1590004610	S.TRA DMA561050R	T	46.0/28.2
Q472	1590005110	S.FET QS6J11TR	T	49.7/28.6
Q501	1590004330	S.TRA DRC9114E0L	T	12.0/9.8
Q502	1590004330	S.TRA DRC9114E0L	T	14.9/9.9
Q503	1590004510	S.TRA DMA561040R	T	13.1/12.4
Q504	1590004150	S.TRA DRC9114TOL	B	10.0/15.2
Q601	1580000830	S.FET BB506CFS-TL-E *1	B	41.2/19.5
Q602	1580000830	S.FET BB506CFS-TL-E *1	B	27.9/5.2
Q641	1580000830	S.FET BB506CFS-TL-E *1	B	46.9/7.5
Q701	1580000830	S.FET BB506CFS-TL-E *1	B	36.7/18.8
Q702	1580000830	S.FET BB506CFS-TL-E *1	B	21.3/11.6
Q740	1580000830	S.FET BB506CFS-TL-E *1	B	46.5/15.1
Q780	1530003260	S.TRA 2SC5006-T1	T	24.3/9.9
Q801	1580000830	S.FET BB506CFS-TL-E *1	B	46.9/26.4
Q811	1580000830	S.FET BB506CFS-TL-E *1	B	54.2/11.4
Q820	1580000830	S.FET BB506CFS-TL-E *1	B	39.9/29.2
Q830	1580000830	S.FET BB506CFS-TL-E *1	B	57.9/17.7
Q850	1590004610	S.TRA DMA561050R	B	64.9/17.5
Q851	1590004610	S.TRA DMA561050R	B	64.0/20.3
Q852	1590004610	S.TRA DMA561050R	B	64.0/14.7
Q853	1510001100	S.TRA 2SA1832-GR (TE85RF)	T	83.4/20.6
Q854	1590004300	S.TRA DRA9114TOL	T	21.0/8.2
Q900	1530003260	S.TRA 2SC5006-T1	T	60.7/10.5
Q901	1530002921	S.TRA 2SC4226-T1 Y25 (R25)	B	66.7/9.8
Q902	1590004300	S.TRA DRA9114TOL	T	85.4/13.5
Q903	1590004590	S.TRA DMC506010R	T	82.1/15.2
Q904	1590004590	S.TRA DMC506010R	T	79.3/11.4
Q906	1560001730	S.FET RUE002N02 TL	T	25.3/3.2
Q907	1560001730	S.FET RUE002N02 TL	T	25.3/5.2
Q908	1530003990	S.TRA 2SC4738-BL (TE85LF)	T	17.8/10.0
D1	1750002170	S.DIO DB2S31400L	T	29.6/21.3
D3	1750001810	S.DIO L1SS400T1G <SLVJ>	T	62.7/42.2
D4	1750001690	S.DIO RB050LA-40	T	65.7/44.2
D9	1730002890	S.ZEN DZ2J033MOL	T	26.2/15.8
D14	1750001910	S.DIO HVD144AKRF-E	T	39.0/31.1
D15	1750001910	S.DIO HVD144AKRF-E	B	67.3/28.0
D16	1750001910	S.DIO HVD144AKRF-E	B	68.3/28.0
D17	1750001810	S.DIO L1SS400T1G <SLVJ>	T	35.6/19.4
D18	1750001910	S.DIO HVD144AKRF-E	T	69.2/34.6
D19	1750001910	S.DIO HVD144AKRF-E	T	70.2/34.6
D20	1750002290	S.DIO RKP300KJ	T	23.9/31.0
D21	1750002290	S.DIO RKP300KJ	T	22.4/34.8
D22	1750001820	S.DIO LRB706F-40T1G <SLVJ>	B	60.3/36.0
D23	1750001820	S.DIO LRB706F-40T1G <SLVJ>	B	55.0/35.9
D34	1750002020	S.DIO DA2S10100L	B	55.7/27.3
D37	1790001830	S.VAR AVR-M1005C270MTAAB	T	17.2/23.9

[MAIN UNIT]

REF NO.	PARTS NO.	DESCRIPTION	M.	H/V LOCATION
D501	1750000581	S.DIO 1SV307 (TPH3F)	B	13.5/19.9
D502	1750002580	S.DIO HVU187TRF-E	B	10.4/19.9
D503	1750001910	S.DIO HVD144AKRF-E	T	5.9/22.1
D504	1750001910	S.DIO HVD144AKRF-E	T	4.8/22.1
D505	1750001820	S.DIO LRB706F-40T1G <SLVJ>	B	8.9/22.4
D506	1750001910	S.DIO HVD144AKRF-E	B	11.0/23.4
D508	1750001910	S.DIO HVD144AKRF-E	B	17.3/12.9
D509	1750001820	S.DIO LRB706F-40T1G <SLVJ>	B	6.3/21.5
D510	1750001910	S.DIO HVD144AKRF-E	B	17.3/11.8
D511	1750002580	S.DIO HVU187TRF-E	B	10.0/13.2
D512	1750001820	S.DIO LRB706F-40T1G <SLVJ>	B	2.0/18.8
D513	1750001820	S.DIO LRB706F-40T1G <SLVJ>	B	5.6/19.0
D602	1750000771	S.VAR HVC376BTBF-E	B	49.7/22.9
D603	1750000771	S.VAR HVC376BTBF-E	B	46.0/22.0
D604	1750002020	S.DIO DA2S10100L	B	40.4/15.0
D605	1750000721	S.VAR HVC375BTBF-E	B	41.9/11.3
D606	1750000721	S.VAR HVC375BTBF-E	B	37.5/11.3
D642	1750000771	S.VAR HVC376BTBF-E	B	53.0/7.9
D643	1750000771	S.VAR HVC376BTBF-E	B	50.1/7.8
D644	1750002020	S.DIO DA2S10100L	B	46.6/12.1
D645	1750000721	S.VAR HVC375BTBF-E	B	42.8/5.6
D646	1750000721	S.VAR HVC375BTBF-E	B	39.6/5.6
D702	1750000771	S.VAR HVC376BTBF-E	B	36.7/27.2
D703	1750000771	S.VAR HVC376BTBF-E	B	36.6/24.3
D704	1750002020	S.DIO DA2S10100L	B	36.2/13.9
D705	1750000771	S.VAR HVC376BTBF-E	B	32.3/12.2
D741	1750000771	S.VAR HVC376BTBF-E	B	52.8/20.2
D742	1750000771	S.VAR HVC376BTBF-E	B	50.0/18.5
D743	1750002020	S.DIO DA2S10100L	B	44.8/12.5
D744	1750000771	S.VAR HVC376BTBF-E	B	35.8/9.3
D745	1750001910	S.DIO HVD144AKRF-E	T	28.8/9.0
D781	1750001910	S.DIO HVD144AKRF-E	B	15.7/21.2
D782	1750001910	S.DIO HVD144AKRF-E	T	18.2/22.4
D783	1750001910	S.DIO HVD144AKRF-E	T	31.2/34.6
D801	1750001910	S.DIO HVD144AKRF-E	B	43.9/32.7
D802	1750001910	S.DIO HVD144AKRF-E	T	43.4/28.3
D811	1750001910	S.DIO HVD144AKRF-E	B	57.9/15.5
D812	1750001910	S.DIO HVD144AKRF-E	T	56.2/18.2
D820	1750001910	S.DIO HVD144AKRF-E	B	41.1/35.1
D821	1750001910	S.DIO HVD144AKRF-E	T	42.3/28.3
D830	1750001910	S.DIO HVD144AKRF-E	B	59.7/16.1
D831	1750001910	S.DIO HVD144AKRF-E	T	56.9/19.8
D880	1750001820	S.DIO LRB706F-40T1G <SLVJ>	B	64.9/5.5
D901	1750002020	S.DIO DA2S10100L	B	66.8/5.7
D903	1750001910	S.DIO HVD144AKRF-E	B	12.1/23.4
D904	1750001820	S.DIO LRB706F-40T1G <SLVJ>	T	32.3/6.0
D905	1750001820	S.DIO LRB706F-40T1G <SLVJ>	T	31.9/1.9
D906	1790001950	S.VAR VC060318A400RP	B	65.7/44.9
D908	1750001910	S.DIO HVD144AKRF-E	T	29.0/6.7
D909	1790001950	S.VAR VC060318A400RP	B	49.4/44.4
F11	2020002180	S.CER CFWKA450KHFA-R0	T	69.0/25.7
F12	2020002480	S.CER LTWC450E1 <JJE>	T	78.0/25.7
F13	2030000860	S.MON XDCAB 46.350 MHz (FL-439)	B	49.5/33.7
F1880	2030000720	S.MON XDCAB 61.650 MHz (FL-429)	B	59.9/8.8
F1900	2020002480	S.CER LTWC450E1 <JJE>	T	71.6/15.2
X1	6050012830	S.XTA CR-875 XTCLK 15.300 MHz*R	T	63.0/16.4
X2	6070000310	S.DIS JTBM450CX70 <JJE>	T	64.8/35.0
X900	6070000310	S.DIS JTBM450CX70 <JJE>	T	69.0/7.5
L1	6200014270	S.COI LQM2HPN2R2MJ0L	B	80.3/10.3
L2	6200014470	S.COI LQH44PN100MP0L	B	87.3/18.3
L3	6200014270	S.COI LQM2HPN2R2MJ0L	B	83.2/21.2
L6	6200014470	S.COI LQH44PN100MP0L	B	54.4/43.2
L11	6200003960	S.COI MLF1608A 1R0K-T	T	63.5/28.2
L12	6200003540	S.COI MLF1608D R22K-T	T	61.6/31.1
L13	6200004480	S.COI MLF1608D R82K-T	T	60.5/36.6
L14	6200011650	S.COI LQW184N68NG00D	B	16.3/39.8
L17	6200007740	S.COI LQW2BH4N7NJ03L	B	14.4/35.8
L19	6200005140	S.COI MLF1608D R33K-T	B	59.3/33.9
L21	6200012800	S.COI 0.40-1.5-5TL 20N <COMO>	T	13.5/26.3
L41	6200006991	S.COI ELJRE 56NGFA *0	T	33.1/28.5
L42	6200013860	S.COI MLK1005S12NJT	T	10.1/34.5
L43	6200013850	S.COI MLK1005S15NJT	T	12.5/33.6

Eqv.= This component is equivalent to the REF No. component listed above, and may be substituted on parts orders and repairs.

M.=Mounted side (T: Mounted on the Top side, B: Mounted on the Bottom side) S.=Surface mount

[MAIN UNIT]

REF NO.	PARTS NO.	DESCRIPTION	M.	H/V LOCATION
L44	6200013970	S.COI MLK1005S1N5ST [EUR]	T	9.2/36.3
	6200013970	S.COI MLK1005S1N5ST [UK]		
	6200013970	S.COI MLK1005S1N5ST [ITR]		
	6200013980	S.COI MLK1005S1N2ST [USA]		
	6200013970	S.COI MLK1005S1N5ST [KOR]		
	6200013970	S.COI MLK1005S1N5ST [EXP]		
	6200013970	S.COI MLK1005S1N5ST [EXP-01]		
	6200013970	S.COI MLK1005S1N5ST [CHN]		
	6200013970	S.COI MLK1005S1N5ST [AUS]		
	6200013970	S.COI MLK1005S1N5ST [EUR-01]		
	6200013980	S.COI MLK1005S1N2ST [USA-01]		
	6200013970	S.COI MLK1005S1N5ST [EUR-02]		
	6200013980	S.COI MLK1005S1N2ST [USA-02]		
	6200013970	S.COI MLK1005S1N5ST [EUR-03]		
	6200013980	S.COI MLK1005S1N2ST [USA-03]		
	6200013970	S.COI MLK1005S1N5ST [EUR-04]		
	6200013980	S.COI MLK1005S1N2ST [USA-04]		
	6200013970	S.COI MLK1005S1N5ST [EUR-05]		
	6200013980	S.COI MLK1005S1N2ST [USA-05]		
	6200013970	S.COI MLK1005S1N5ST [EUR-06]		
	6200013970	S.COI MLK1005S1N5ST [UK-06]		
	6200013980	S.COI MLK1005S1N2ST [USA-06]		
	6200013970	S.COI MLK1005S1N5ST [CHN-06]		
L45	6200013840	S.COI MLK1005S18NJT	B	12.2/40.9
L402	6200006970	S.COI MLF1608A 3R9K-T	T	16.4/12.6
L403	6200006970	S.COI MLF1608A 3R9K-T	T	15.4/16.0
L501	6200013010	S.COI 0.30-0.9-5TL 10.3N <COMO>	T	4.1/24.9
L502	6200014200	S.COI 0.40-0.8-2TL 2.5J <COMO>	T	13.9/23.6
L503	6200013090	S.COI 0.26-1.1-5TR 16N <COMO>	T	14.3/21.3
L504	6200009250	S.COI LQW18ANR22G00D (LQW1608AR22G00)	T	13.5/18.8
L505	6200004480	S.COI MLF1608D R82K-T	T	7.8/22.7
L506	6200010910	S.COI LQW18AN56NG00D	T	7.8/21.5
L507	6200012540	S.COI 0.30-1.2-5TR 16.1N <COMO>	B	15.4/16.7
L508	6200009070	S.COI LQW18AN18NG00D (LQW1608A18NG00)	B	17.9/16.7
L511	6200012680	S.COI 0.30-1.3-5TL 20N <COMO>	B	14.2/14.1
L512	6200012980	S.COI 0.40-1.4-5TR 18.3N <COMO>	B	14.1/19.5
L513	6200013020	S.COI 0.25-1.9-7TL 61N <COMO>	T	4.6/19.1
L514	6200012730	S.COI 0.26-0.9-6TR 15.1N <COMO>	B	11.1/9.8
L515	6200012510	S.COI 0.25-1.9-8TL 72.0N <COMO>	T	8.9/18.0
L516	6200012910	S.COI 0.35-1.6-8TL 45.5N <COMO>	T	9.9/14.2
L602	6200010700	S.COI LQW18AN12NG00D	B	50.9/22.9
L603	6200009070	S.COI LQW18AN18NG00D (LQW1608A18NG00)	B	44.8/21.9
L604	6200011580	S.COI LQW18AN33NG00D	B	39.7/21.5
L605	6200011590	S.COI LQW18AN39NG00D	B	41.1/13.1
L606	6200011590	S.COI LQW18AN39NG00D	B	38.0/13.2
L607	6200011580	S.COI LQW18AN33NG00D	B	29.7/0.0
L608	6200011580	S.COI LQW18AN33NG00D	B	25.2/5.8
L610	6200011590	S.COI LQW18AN39NG00D	B	21.6/4.9
L612	6200011730	S.COI LQW18AN10NG00D(650MA)	B	17.9/6.9
L641	6200010700	S.COI LQW18AN12NG00D	B	54.3/8.1
L642	6200009070	S.COI LQW18AN18NG00D (LQW1608A18NG00)	B	48.8/5.8
L643	6200011580	S.COI LQW18AN33NG00D	B	49.1/10.1
L644	6200011590	S.COI LQW18AN39NG00D	B	41.3/7.4
L645	6200011590	S.COI LQW18AN39NG00D	B	38.1/7.3
L701	6200011770	S.COI LQW18ANR10G00D	B	36.1/28.4
L702	6200011770	S.COI LQW18ANR10G00D	B	36.8/21.2
L703	6200011670	S.COI LQW18ANR2NG00D	B	34.3/13.1
L704	6200011860	S.COI LQW18ANR47G00D	B	23.3/10.0
L705	6200011660	S.COI LQW18ANR15G00D	B	19.2/22.3
L706	6200011660	S.COI LQW18ANR15G00D	B	18.7/20.5
L740	6200011770	S.COI LQW18ANR10G00D	B	54.0/18.6
L741	6200011770	S.COI LQW18ANR10G00D	B	47.3/17.8
L742	6200011670	S.COI LQW18ANR2NG00D	B	41.7/9.6
L781	6200011650	S.COI LQW18ANR6NG00D	T	19.0/16.8
L782	6200011590	S.COI LQW18AN39NG00D	T	18.3/18.6
L801	6200011220	S.COI C2012C-R47J-A	B	45.0/29.8
L802	6200009070	S.COI LQW18AN18NG00D (LQW1608A18NG00)	B	44.3/25.6
L803	6200013770	S.COI MLK1005S68NJT	B	45.1/24.2
L811	6200010340	S.COI C2012C-R33G-A	B	56.5/13.7
L813	6200013780	S.COI MLK1005S56NJT	B	52.3/15.0
L820	6200011220	S.COI C2012C-R47J-A	B	40.5/33.5
L821	6200009290	S.COI LQW18AN47NG00D (LQW1608A47NG00)	B	38.9/25.1
L830	6200010340	S.COI C2012C-R33G-A	B	60.4/19.5
L831	6200011660	S.COI LQW18ANR15G00D	B	55.6/22.5
L901	6200004790	S.COI MLF1608D R47K-T	T	62.4/9.2
L902	6200004790	S.COI MLF1608D R47K-T	T	64.2/6.6
L903	6200005140	S.COI MLF1608D R33K-T	B	68.7/8.1
L904	6200011660	S.COI LQW18ANR15G00D	B	19.3/26.1
L905	6200009531	S.COI ELJRE R15GFA *0	T	27.2/7.3
L906	6200009070	S.COI LQW18AN18NG00D (LQW1608A18NG00)	B	53.3/16.4
L907	6200010850	S.COI LQW18AN22NG00D (LQW1608A22NG00)	B	44.2/6.9
L908	6200010850	S.COI LQW18AN22NG00D (LQW1608A22NG00)	B	42.2/16.9
L909	6200011770	S.COI LQW18ANR10G00D	B	18.3/24.2
L910	6200014770	S.COI MLF2012C101K-T	T	20.1/5.5
L911	6200013530	S.COI MLF2012E 100K-T	T	18.8/2.4
L912	6200014770	S.COI MLF2012C101K-T	T	23.4/1.6
L913	6200013750	S.COI MLK1005SR10JT	T	18.8/13.5
R1	7030011870	S.RES ERJ2BSFR18X (0.18)	T	31.8/19.8
R4	7030011910	S.RES ERJ2GEJ 106 X (10M)	T	28.6/26.8
R5	7030012250	S.RES ERJ2RKD 1004X (1M)	T	32.1/18.6
R6	7030008310	S.RES ERJ2GEJ 564 X (560K)	T	33.0/18.6
R7	7030003860	S.RES ERJ3GE JPW V	B	37.0/39.0
R8	7030008270	S.RES RR0510P-104-D (100K)	B	13.0/6.8
R9	7030011910	S.RES ERJ2GEJ 106 X (10M)	T	30.2/26.9

Eqv.= This component is equivalent to the REF No. component listed above, and may be substituted on parts orders and repairs.

[MAIN UNIT]

REF NO.	PARTS NO.	DESCRIPTION	M.	H/V LOCATION
R10	7030005000	S.RES ERJ2GEJ 471 X (470)	B	25.3/40.6
R11	7030007320	S.RES ERJ2GEJ 225 X (2.2M)	T	31.7/21.3
R12	7030011910	S.RES ERJ2GEJ 106 X (10M)	T	31.7/22.3
R13	7030011910	S.RES ERJ2GEJ 106 X (10M)	T	32.1/23.6
R14	7030003860	S.RES ERJ3GE JPW V	T	88.0/24.5
R17	7030005830	S.RES RR0510P-223-D (22K)	B	65.2/41.0
R18	7030007340	S.RES ERJ2GEJ 153 X (15K)	B	64.0/40.5
R19	7030005820	S.RES RR0510P-103-D (10K)	T	33.5/21.3
R21	7030005290	S.RES ERJ2GEJ 682 X (6.8K)	B	57.4/44.2
R22	7030005240	S.RES ERJ2GEJ 473 X (47K)	B	57.4/41.4
R25	7030010040	S.RES ERJ2GEJ-JPW	B	87.6/26.6
R26	7030008270	S.RES RR0510P-104-D (100K)	B	57.4/42.3
R28	7030011890	S.RES ERJ2BSFR10X (0.1)	B	50.9/40.5
R30	7030008270	S.RES RR0510P-104-D (100K)	B	89.1/27.2
R37	7030008310	S.RES ERJ2GEJ 564 X (560K)	T	64.3/13.1
R41	7030009280	S.RES ERJ2GEJ 391 X	T	54.8/28.4
R43	7030009190	S.RES RR0510P-332-D (3.3K)	B	86.9/32.4
R44	7030011870	S.RES ERJ2BSFR18X (0.18)	T	20.9/26.1
R45	7030011870	S.RES ERJ2BSFR18X (0.18)	T	20.9/25.2
R46	7030011870	S.RES ERJ2BSFR18X (0.18)	T	20.9/24.3
R47	7030005820	S.RES RR0510P-103-D (10K)	T	64.2/20.8
R48	7030012270	S.RES ERJ2RKD 1203X (120K)	T	20.4/22.9
R49	7030012250	S.RES ERJ2RKD 1004X (1M)	B	81.2/14.1
R53	7030012260	S.RES ERJ2RKD 4703X (470K)	T	22.5/19.8
R54	7030012250	S.RES ERJ2RKD 1004X (1M)	T	22.5/22.5
R55	7030005120	S.RES ERJ2GEJ 102 X (1K)	T	54.6/30.0
R57	7030010020	S.RES ERJ2RKF 1503X (150K)	B	80.6/20.1
R59	7030005820	S.RES RR0510P-103-D (10K)	T	24.0/16.5
R60	7030007320	S.RES ERJ2GEJ 225 X (2.2M)	T	48.1/31.9
R61	7030012270	S.RES ERJ2RKD 1203X (120K)	T	21.3/22.9
R62	7030008270	S.RES RR0510P-104-D (100K)	T	58.3/34.5
R63	7030010040	S.RES ERJ2GEJ-JPW	B	81.5/21.7
R64	7030012260	S.RES ERJ2RKD 4703X (470K)	B	80.6/21.7
R65	7030012250	S.RES ERJ2RKD 1004X (1M)	T	20.9/19.8
R67	7030005810	S.RES RR0510P-152-D (1.5K)	T	48.0/37.6
R69	7030012260	S.RES ERJ2RKD 4703X (470K)	T	20.9/21.6
R71	7030007570	S.RES ERJ2GEJ 122 X (1.2K)	T	47.6/38.8
R76	7030005240	S.RES ERJ2GEJ 473 X (47K)	T	25.9/11.0
R79	7030005240	S.RES ERJ2GEJ 473 X (47K)	T	25.8/12.5
R82	7030005000	S.RES ERJ2GEJ 471 X (470)	B	32.8/37.1
R90	7030007570	S.RES ERJ2GEJ 122 X (1.2K)	T	47.1/40.0
R93	7030007570	S.RES ERJ2GEJ 122 X (1.2K)	T	45.8/37.6
R103	7030005000	S.RES ERJ2GEJ 471 X (470)	T	53.5/38.5
R110	7030005290	S.RES ERJ2GEJ 682 X (6.8K)	T	56.1/40.2
R112	7030008270	S.RES RR0510P-104-D (100K)	T	51.4/41.2
R113	7030005210	S.RES ERJ2GEJ 822 X (8.2K)	T	54.7/39.0
R121	7030010040	S.RES ERJ2GEJ-JPW	T	28.4/30.2
R122	7030010040	S.RES ERJ2GEJ-JPW	T	27.0/29.7
R123	7030005290	S.RES ERJ2GEJ 682 X (6.8K)	T	27.0/28.1
R142	7030008270	S.RES RR0510P-104-D (100K)	B	74.6/23.8
R143	7030009190	S.RES RR0510P-332-D (3.3K)	B	78.2/28.2
R144	7030009190	S.RES RR0510P-332-D (3.3K)	B	78.5/29.3
R145	7030009190	S.RES RR0510P-332-D (3.3K)	B	78.2/26.7
R158	7030011000	S.RES RR0510P-392-D (3.9K)	T	37.6/28.5
R159	7030005810	S.RES RR0510P-152-D (1.5K)	T	38.9/33.0
R160	7030008010	S.RES ERJ2GEJ 123 X (12K)	B	67.4/29.9
R161	7030005820	S.RES RR0510P-103-D (10K)	B	66.0/27.3
R162	7030005820	S.RES RR0510P-103-D (10K)	B	68.3/25.9
R163	7030005120	S.RES ERJ2GEJ 102 X (1K)	T	37.3/19.9
R164	7030005240	S.RES ERJ2GEJ 473 X (47K)	T	37.4/21.5
R165	7030007060	S.RES ERJ2GEJ 684X (680K)	T	62.1/29.2
R166	7030004980	S.RES ERJ2GEJ 101 X (100)	T	60.9/29.7
R167	7030005820	S.RES RR0510P-103-D (10K)	T	69.6/33.1
R168	7030005820	S.RES RR0510P-103-D (10K)	T	71.2/33.1
R169	7030005220	S.RES ERJ2GEJ 223 X (22K)	T	15.4/45.1
R170	7030008010	S.RES ERJ2GEJ 123 X (12K)	B	69.0/37.0
R171	7030005060	S.RES ERJ2GEJ 333 X (33K)	T	17.2/43.2
R172	7030005100	S.RES ERJ2GEJ 154 X (150K)	B	69.7/30.4
R173	7030005120	S.RES ERJ2GEJ 102 X (1K)	B	71.1/29.8
R174	7030005120	S.RES ERJ2GEJ 102 X (1K)	T	25.2/29.0
R176	703			

[MAIN UNIT]

REF NO.	PARTS NO.	DESCRIPTION	M.	H/V LOCATION
R213	7030004980	S.RES ERJ2GEJ 101 X (100)	T	7.9/36.9
R214	7030005720	S.RES ERJ2GEJ 563 X (56K)	B	56.0/31.5
R215	7030004990	S.RES ERJ2GEJ 221 X (220)	T	20.1/32.1
R216	7030005820	S.RES RR0510P-103-D (10K)	T	18.4/34.0
R217	7030010430	S.RES ERJ2GEJ 120 X (12)	T	7.9/34.3
R218	7030007340	S.RES ERJ2GEJ 153 X (15K)	T	3.8/33.7
R222	7030004980	S.RES ERJ2GEJ 101 X (100)	B	44.1/33.7
R253	7030005600	S.RES ERJ2GEJ 273 X (27K)	T	35.7/26.7
R254	7030004970	S.RES ERJ2GEJ 470 X (47)	T	37.0/26.3
R255	7030007340	S.RES ERJ2GEJ 153 X (15K)	B	60.0/29.5
R256	7030005110	S.RES ERJ2GEJ 224 X (220K)	B	56.4/30.2
R257	7030005060	S.RES ERJ2GEJ 333 X (33K)	B	55.5/30.2
R258	7030008270	S.RES RR0510P-104-D (100K)	B	54.7/28.4
R259	7030005010	S.RES ERJ2GEJ 681 X (680)	B	53.8/26.5
R260	7030007340	S.RES ERJ2GEJ 153 X (15K)	B	56.1/33.0
R261	7030007340	S.RES ERJ2GEJ 153 X (15K)	B	57.3/30.2
R262	7030005010	S.RES ERJ2GEJ 681 X (680)	B	57.5/26.9
R263	7030011910	S.RES ERJ2GEJ 106 X (10M)	B	59.2/30.8
R268	7030007280	S.RES ERJ2GEJ 331 X (330)	B	54.4/34.1
R273	7030010010	S.RES ERJ2RKF 334 X (330K)	B	75.8/39.8
R274	7030010010	S.RES ERJ2RKF 334 X (330K)	B	77.2/40.2
R275	7030005240	S.RES ERJ2GEJ 473 X (47K)	T	20.5/34.2
R276	7030009190	S.RES RR0510P-332-D (3.3K)	B	83.3/30.2
R277	7030008270	S.RES RR0510P-104-D (100K)	B	82.3/26.6
R278	7030005720	S.RES ERJ2GEJ 563 X (56K)	B	80.9/26.9
R280	7030005810	S.RES RR0510P-152-D (1.5K)	B	84.5/30.7
R281	7030007280	S.RES ERJ2GEJ 331 X (330)	B	85.4/30.7
R401	7030005290	S.RES ERJ2GEJ 682 X (6.8K)	T	29.0/4.2
R403	7030005240	S.RES ERJ2GEJ 473 X (47K)	T	26.9/4.7
R404	7030005240	S.RES ERJ2GEJ 473 X (47K)	T	26.9/3.1
R441	7030008270	S.RES RR0510P-104-D (100K)	B	38.6/43.9
R442	7030005240	S.RES ERJ2GEJ 473 X (47K)	B	80.0/35.0
R444	7030005290	S.RES ERJ2GEJ 682 X (6.8K)	T	29.0/5.1
R450	7030005120	S.RES ERJ2GEJ 102 X (1K)	T	47.7/18.3
R451	7030007320	S.RES ERJ2GEJ 225 X (2.2M)	T	51.0/16.2
R452	7030005810	S.RES RR0510P-152-D (1.5K)	T	51.0/10.7
R454	7030007570	S.RES ERJ2GEJ 122 X (1.2K)	T	51.4/9.4
R455	7030007570	S.RES ERJ2GEJ 122 X (1.2K)	T	51.8/8.1
R457	7030007570	S.RES ERJ2GEJ 122 X (1.2K)	T	53.2/10.5
R458	7030008270	S.RES RR0510P-104-D (100K)	T	47.6/6.9
R459	7030005000	S.RES ERJ2GEJ 471 X (470)	T	45.6/9.9
R460	7030005210	S.RES ERJ2GEJ 822 X (8.2K)	T	44.4/9.1
R461	7030005290	S.RES ERJ2GEJ 682 X (6.8K)	T	43.0/7.9
R462	7030010040	S.RES ERJ2GEJ-JPW	B	79.1/34.6
R465	7030010040	S.RES ERJ2GEJ-JPW	B	80.1/29.2
R466	7030010040	S.RES ERJ2GEJ-JPW	T	87.8/36.5
R472	7030010040	S.RES ERJ2GEJ-JPW	T	45.7/2.5
R473	7030010040	S.RES ERJ2GEJ-JPW	T	51.4/2.5
R501	7510001770	S.THE NTCG10 4LH 473JT	B	8.1/24.3
R502	7030005120	S.RES ERJ2GEJ 102 X (1K)	T	14.1/15.5
R503	7030005820	S.RES RR0510P-103-D (10K)	B	9.7/24.3
R504	7030010040	S.RES ERJ2GEJ-JPW	T	12.9/16.4
R505	7030005120	S.RES ERJ2GEJ 102 X (1K)	T	11.6/17.3
R506	7030004980	S.RES ERJ2GEJ 101 X (100)	T	11.6/19.1
R507	7030007270	S.RES ERJ2GEJ 151 X (150)	B	10.3/16.7
R508	7030005060	S.RES ERJ2GEJ 333 X (33K)	B	3.9/24.3
R510	7030003340	S.RES ERJ3GEVJ 151 V (150)	B	18.6/14.7
R511	7030005240	S.RES ERJ2GEJ 473 X (47K)	B	3.9/22.5
R512	7030007270	S.RES ERJ2GEJ 151 X (150)	B	8.3/14.6
R513	7030005240	S.RES ERJ2GEJ 473 X (47K)	B	2.5/22.0
R514	7030005820	S.RES RR0510P-103-D (10K)	B	2.1/23.4
R515	7030005080	S.RES ERJ2GEJ 823 X (82K)	B	3.9/23.4
R516	7030005080	S.RES ERJ2GEJ 823 X (82K)	B	7.0/11.4
R602	7030005530	S.RES ERJ2GEJ 100 X (10)	B	39.3/16.4
R603	7030005240	S.RES ERJ2GEJ 473 X (47K)	B	48.6/21.5
R604	7030005240	S.RES ERJ2GEJ 473 X (47K)	B	47.3/21.0
R605	7030010040	S.RES ERJ2GEJ-JPW	B	43.0/20.1
R606	7030006010	S.RES RR0510P-472-D (4.7K)	B	39.2/23.4
R607	7030005220	S.RES ERJ2GEJ 223 X (22K)	B	41.1/16.4
R608	7030005220	S.RES ERJ2GEJ 223 X (22K)	B	40.2/16.4
R610	7030008300	S.RES ERJ2GEJ 184 X (180K)	B	40.8/17.7
R612	7030005240	S.RES ERJ2GEJ 473 X (47K)	B	40.0/12.7
R613	7030005240	S.RES ERJ2GEJ 473 X (47K)	B	39.1/12.7
R614	7030004980	S.RES ERJ2GEJ 101 X (100)	B	33.7/9.8
R615	7030004980	S.RES ERJ2GEJ 101 X (100)	B	33.9/7.2
R616	7030010040	S.RES ERJ2GEJ-JPW	B	31.8/7.3
R617	7030005530	S.RES ERJ2GEJ 100 X (10)	B	32.7/6.7
R618	7030010040	S.RES ERJ2GEJ-JPW	B	31.6/4.9
R619	7030005240	S.RES ERJ2GEJ 473 X (47K)	B	27.0/7.2
R621	7030005310	S.RES ERJ2GEJ 124 X (120K)	B	25.2/7.2
R642	7030005530	S.RES ERJ2GEJ 100 X (10)	B	50.2/11.7
R643	7030005240	S.RES ERJ2GEJ 473 X (47K)	B	51.7/5.8
R644	7030005240	S.RES ERJ2GEJ 473 X (47K)	B	50.5/5.8
R645	7030010040	S.RES ERJ2GEJ-JPW	B	46.6/5.7
R646	7030006010	S.RES RR0510P-472-D (4.7K)	B	51.1/10.1
R647	7030005220	S.RES ERJ2GEJ 223 X (22K)	B	47.8/11.0
R648	7030005220	S.RES ERJ2GEJ 223 X (22K)	B	46.2/11.0
R650	7030008300	S.RES ERJ2GEJ 184 X (180K)	B	45.0/8.2
R652	7030005240	S.RES ERJ2GEJ 473 X (47K)	B	40.2/6.9
R653	7030005240	S.RES ERJ2GEJ 473 X (47K)	B	39.3/6.9
R702	7030005530	S.RES ERJ2GEJ 100 X (10)	B	35.4/22.3
R703	7030005240	S.RES ERJ2GEJ 473 X (47K)	B	35.4/26.2
R704	7030005240	S.RES ERJ2GEJ 473 X (47K)	B	35.4/25.3
R705	7030008270	S.RES RR0510P-104-D (100K)	B	35.4/23.2
R707	7030005120	S.RES ERJ2GEJ 102 X (1K)	B	37.1/22.3
R708	7030005220	S.RES ERJ2GEJ 223 X (22K)	B	34.5/16.5
R709	7030005220	S.RES ERJ2GEJ 223 X (22K)	B	34.6/17.8
R711	7030008300	S.RES ERJ2GEJ 184 X (180K)	B	35.7/16.8
R713	7030005240	S.RES ERJ2GEJ 473 X (47K)	B	32.6/11.1
R714	7030007280	S.RES ERJ2GEJ 331 X (330)	B	28.1/10.8
R715	7030005530	S.RES ERJ2GEJ 100 X (10)	B	25.2/9.5
R716	7030010040	S.RES ERJ2GEJ-JPW	B	26.5/10.8
R717	7030010040	S.RES ERJ2GEJ-JPW	B	21.3/9.4
R718	7030005810	S.RES RR0510P-152-D (1.5K)	B	24.3/9.5
R719	7030005240	S.RES ERJ2GEJ 473 X (47K)	B	19.7/19.1

Eqv.= This component is equivalent to the REF No. component listed above, and may be substituted on parts orders and repairs.

[MAIN UNIT]

REF NO.	PARTS NO.	DESCRIPTION	M.	H/V LOCATION
R721	7030005310	S.RES ERJ2GEJ 124 X (120K)	B	18.8/19.1
R725	7030005530	S.RES ERJ2GEJ 100 X (10)	B	37.4/16.2
R741	7030005530	S.RES ERJ2GEJ 100 X (10)	B	47.3/19.6
R742	7030005240	S.RES ERJ2GEJ 473 X (47K)	B	52.0/18.2
R743	7030005240	S.RES ERJ2GEJ 473 X (47K)	B	51.1/18.2
R744	7030008270	S.RES RR0510P-104-D (100K)	B	49.2/16.2
R745	7030005530	S.RES ERJ2GEJ 100 X (10)	B	48.8/15.0
R746	7030005120	S.RES ERJ2GEJ 102 X (1K)	B	46.3/18.0
R747	7030005220	S.RES ERJ2GEJ 223 X (22K)	B	43.8/17.2
R748	7030005220	S.RES ERJ2GEJ 223 X (22K)	B	44.2/16.0
R750	7030008300	S.RES ERJ2GEJ 184 X (180K)	B	44.2/15.1
R752	7030005240	S.RES ERJ2GEJ 473 X (47K)	B	37.2/9.4
R753	7030007280	S.RES ERJ2GEJ 331 X (330)	B	28.1/9.9
R754	7030005820	S.RES RR0510P-103-D (10K)	T	29.1/9.9
R770	7030010040	S.RES ERJ2GEJ-JPW	T	17.3/21.0
R780	7030004980	S.RES ERJ2GEJ 101 X (100)	T	21.5/9.9
R781	7030005060	S.RES ERJ2GEJ 333 X (33K)	T	22.7/9.9
R783	7030007290	S.RES ERJ2GEJ 222 X (2.2K)	T	18.5/20.6
R784	7030009190	S.RES RR0510P-332-D (3.3K)	T	16.4/20.9
R785	7030007290	S.RES ERJ2GEJ 222 X (2.2K)	B	16.6/20.9
R787	7030005240	S.RES ERJ2GEJ 473 X (47K)	T	32.6/33.7
R801	7030007250	S.RES ERJ2GEJ 220 X (22)	B	47.5/30.1
R802	7030008370	S.RES ERJ2GEJ 561 X (560)	B	44.3/31.5
R803	7030005080	S.RES ERJ2GEJ 823 X (82K)	B	47.3/24.6
R804	7030008270	S.RES RR0510P-104-D (100K)	B	48.6/25.1
R805	7030008270	S.RES RR0510P-104-D (100K)	B	43.9/24.2
R806	7030005120	S.RES ERJ2GEJ 102 X (1K)	B	47.3/23.7
R811	7030007250	S.RES ERJ2GEJ 220 X (22)	B	55.9/15.3
R812	7030008280	S.RES ERJ2GEJ 271 X (270)	B	56.4/11.2
R813	7030005080	S.RES ERJ2GEJ 823 X (82K)	B	51.4/13.4
R814	7030008270	S.RES RR0510P-104-D (100K)	B	52.3/11.7
R815	7030008270	S.RES RR0510P-104-D (100K)	B	51.4/11.7
R816	7030005120	S.RES ERJ2GEJ 102 X (1K)	B	52.3/13.4
R820	7030005210	S.RES ERJ2GEJ 822 X (8.2K)	B	43.2/35.5
R821	7030007250	S.RES ERJ2GEJ 220 X (22)	B	42.4/31.4
R822	7030008370	S.RES ERJ2GEJ 561 X (560)	B	39.6/31.0
R823	7030005080	S.RES ERJ2GEJ 823 X (82K)	B	40.6/27.3
R824	7030008270	S.RES RR0510P-104-D (100K)	B	42.2/28.2
R825	7030008270	S.RES RR0510P-104-D (100K)	B	38.2/28.8
R826	7030009140	S.RES ERJ2GEJ 472 X (2.7K)	B	42.2/27.3
R827	7030006010	S.RES RR0510P-472-D (4.7K)	T	43.8/30.0
R830	7030005210	S.RES ERJ2GEJ 822 X (8.2K)	B	60.6/14.5
R831	7030007250	S.RES ERJ2GEJ 220 X (22)	B	58.5/21.3
R832	7030008280	S.RES ERJ2GEJ 271 X (270)	B	60.9/17.4
R833	7030005080	S.RES ERJ2GEJ 823 X (82K)	B	55.3/19.6
R834	7030008270	S.RES RR0510P-104-D (100K)	B	55.9/18.2
R835	7030008270	S.RES RR0510P-104-D (100K)	B	54.6/20.5
R836	7030005120	S.RES ERJ2GEJ 102 X (1K)	B	56.9/21.3
R837	7030006010	S.RES RR0510P-472-D (4.7K)	T	55.6/19.1
R880	7030004990	S.RES ERJ2GEJ 221 X (220)	B	63.1/5.3
R881	7030007250	S.RES ERJ2GEJ 220 X (22)	B	59.0/13.6
R901	7030004980	S.RES ERJ2GEJ 101 X (100)	T	63.8/10.7
R902	7030007600	S.RES ERJ2GEJ 684X (680K)	T	62.5/11.2
R903	7030005100	S.RES ERJ2GEJ 154 X (150K)	B	74.4/15.3
R904	7030005120	S.RES ERJ2GEJ 102 X (1K)	B	71.9/17.0
R905	7030005100	S.RES ERJ2GEJ 154 X (150K)	B	71.9/17.9
R906	7030005810	S.RES RR0510P-152-D (1.5K)	B	69.5/13.2
R907	7030008270	S.RES RR0510P-104-D (100K)	B	72.7/6.1
R908	7030005120	S.RES ERJ2GEJ 102 X (1K)	B	75.4/6.1
R909	7030007250	S.RES ERJ2GEJ 220 X (22)	B	69.6/6.0
R910	7030005010	S.RES ERJ2GEJ 681 X (680)	T	73.7/9.9
R911	7030005590	S.RES ERJ2GEJ 680 X (680)	B	67.5/11.8
R912	7030009160	S.RES ERJ2GEJ 181 X (180)	B	68.7/6.0
R913	7030005000	S.RES ERJ2GEJ 471 X (470)	B	69.7/7.8
R914	7030007340	S.RES ERJ2GEJ 153 X (15K)	B	67.8/6.0
R915	7030005720	S.RES ERJ2GEJ 563 X (56K)	B	65.8/7.8
R917	7030008010	S.RES ERJ2GEJ 123 X (12K)	T	82.4/19.1
R918	7030004980	S.RES ERJ2GEJ 101 X (100)	T	85.4/15.4
R919	7030005060	S.RES ERJ2GEJ 333 X (33K)	T	82.4/18.2
R920	7030006010	S.RES RR0510P-472-D (4.7K)	T	82.4/17.3
R922	7030005170	S.RES ERJ2GEJ 474 X (470K)	T	78.5/7.9
R923	7030005600	S.RES ERJ2GEJ 273 X (27K)	T	80.8/17.3
R924	7030005120	S.RES ERJ2GEJ 102 X (1K)	T	83.5/12.2
R925	7030005240	S.RES ERJ2GEJ 473 X (47K)	T	81.4/12.6
R926	7030005810	S.RES RR0510P-152-D (1.5K)	T	82.3/11.0

[MAIN UNIT]

REF NO.	PARTS NO.	DESCRIPTION	M.	H/V LOCATION
C13	4030017030	S.CER C1005 JB 1A 273K-T	T	28.5/22.7
C14	4550008160	S.TAN F931A226MAA	B	23.7/42.1
C15	4030017460	S.CER C1005 JB 1H 102K-T	T	33.5/20.4
C18	4030017460	S.CER C1005 JB 1H 102K-T	B	23.5/44.4
C19	4030017420	S.CER C1005 CH 1H 470J-T	B	37.0/40.3
C20	4030017420	S.CER C1005 CH 1H 470J-T	T	86.0/30.5
C21	4520000020	S.NIO NOJC227M006RWJV	T	26.7/36.2
C22	4050000240	S.FEE NFM18PC104R1C3D	B	49.4/41.8
C23	4510010250	S.ELE 16 CE 22 LD	T	58.0/47.1
C24	4030017460	S.CER C1005 JB 1H 102K-T	T	62.0/45.5
C25	4520000020	S.NIO NOJC227M006RWJV	T	85.4/26.6
C26	4030019990	S.CER C1005 JB 1C 104K-T	B	58.3/44.2
C29	4030020310	S.CER GRM31CB31C106KA88L	B	51.1/43.4
C30	4030017630	S.CER C1005 CH 1H 120J-T	T	64.3/12.2
C31	4030017460	S.CER C1005 JB 1H 102K-T	B	66.1/41.0
C32	4030019460	S.CER C1608 JB 0J 106M-T	T	51.3/20.6
C33	4030017460	S.CER C1005 JB 1H 102K-T	T	54.8/26.8
C34	4030019990	S.CER C1005 JB 1C 104K-T	B	90.5/37.0
C35	4030020310	S.CER GRM31CB31C106KA88L	B	67.7/42.7
C36	4030016790	S.CER C1005 JB 1E 103K-T	T	62.5/13.1
C37	4030019990	S.CER C1005 JB 1C 104K-T	B	57.4/40.5
C38	4030018860	S.CER C1005 JB 0J 105K-T	B	90.5/36.1
C39	4030018860	S.CER C1005 JB 0J 105K-T	T	62.5/12.2
C40	4550007600	S.TAN F920J106MPABMA	T	56.2/27.7
C41	4030020310	S.CER GRM31CB31C106KA88L	B	88.8/11.5
C42	4030020310	S.CER GRM31CB31C106KA88L	B	88.8/13.6
C43	4030019120	S.CER GRM188B31E105KA75D	T	47.4/20.5
C44	4030017460	S.CER C1005 JB 1H 102K-T	T	71.0/40.5
C45	4030017620	S.CER C1005 CH 1H 100C-T	T	64.2/19.9
C46	4030019990	S.CER C1005 JB 1C 104K-T	B	90.5/35.2
C48	4030018900	S.CER C1005 JB 0J 474K-T	B	86.6/31.2
C49	4030017460	S.CER C1005 JB 1H 102K-T	T	62.5/20.8
C50	4030016970	S.CER C1005 JB 1E 223K-T	B	90.5/34.3
C52	4030018860	S.CER C1005 JB 0J 105K-T	T	48.7/36.1
C53	4030019120	S.CER GRM188B31E105KA75D	T	87.7/34.3
C55	4030019990	S.CER C1005 JB 1C 104K-T	T	48.7/35.2
C56	4030019120	S.CER GRM188B31E105KA75D	B	83.8/9.6
C57	4030019120	S.CER GRM188B31E105KA75D	T	52.6/20.6
C59	4030017730	S.CER C1005 JB 1H 471K-T	T	48.7/33.4
C61	4030020310	S.CER GRM31CB31C106KA88L	B	81.6/16.2
C62	4030017430	S.CER C1005 CH 1H 101J-T	T	22.5/21.6
C63	4030019490	S.CER C2012 JB 1A 106K-T	T	88.8/37.0
C64	4030020310	S.CER GRM31CB31C106KA88L	B	81.6/18.3
C65	4030017460	S.CER C1005 JB 1H 102K-T	T	22.5/20.7
C66	4030017640	S.CER C1005 CH 1H 150J-T	B	81.5/20.1
C67	4030017460	S.CER C1005 JB 1H 102K-T	T	49.0/31.9
C68	4030017460	S.CER C1005 JB 1H 102K-T	T	89.7/35.0
C69	4030019460	S.CER C1608 JB 0J 106M-T	B	87.9/22.6
C70	4030017460	S.CER C1005 JB 1H 102K-T	T	48.7/34.3
C71	4030017460	S.CER C1005 JB 1H 102K-T	T	20.9/20.7
C73	4030017460	S.CER C1005 JB 1H 102K-T	T	53.7/37.3
C74	4550008800	S.TAN 278M2002 104MR	T	49.5/39.5
C75	4030017460	S.CER C1005 JB 1H 102K-T	T	87.9/35.4
C78	4030017460	S.CER C1005 JB 1H 102K-T	T	24.0/14.3
C82	4030017460	S.CER C1005 JB 1H 102K-T	T	56.5/36.4
C84	4030017460	S.CER C1005 JB 1H 102K-T	T	25.8/14.2
C85	4030017460	S.CER C1005 JB 1H 102K-T	T	62.5/19.9
C87	4030017530	S.CER C1005 CH 1H 0R5B-T	B	33.7/37.1
C91	4030019990	S.CER C1005 JB 1C 104K-T	T	48.0/40.0
C92	4030017460	S.CER C1005 JB 1H 102K-T	T	47.6/41.2
C94	4030017460	S.CER C1005 JB 1H 102K-T	T	27.4/13.7
C96	4550008480	S.TAN F921C225MPA	T	44.6/41.2
C102	4550008150	S.TAN F921V224MAA	T	44.2/39.2
C110	4030017460	S.CER C1005 JB 1H 102K-T	T	56.3/39.3
C126	4030017460	S.CER C1005 JB 1H 102K-T	T	31.5/30.2
C127	4030019990	S.CER C1005 JB 1C 104K-T	T	26.1/29.0
C136	4030019460	S.CER C1608 JB 0J 106M-T	T	51.7/44.5
C143	4030019990	S.CER C1005 JB 1C 104K-T	T	54.0/45.5
C145	4030016790	S.CER C1005 JB 1E 103K-T	B	75.9/23.3
C150	4030017460	S.CER C1005 JB 1H 102K-T	B	82.1/9.2
C151	4030017460	S.CER C1005 JB 1H 102K-T	B	86.6/10.0
C166	4030017460	S.CER C1005 JB 1H 102K-T	T	37.2/27.2
C167	4030017340	S.CER C1005 CH 1H 010B-T	T	39.8/33.0
C169	4030017460	S.CER C1005 JB 1H 102K-T	T	59.5/30.6
C170	4030019990	S.CER C1005 JB 1C 104K-T	B	67.3/25.9
C171	4030019990	S.CER C1005 JB 1C 104K-T	B	69.2/25.9
C172	4030017620	S.CER C1005 CH 1H 100C-T	T	62.1/27.8
C173	4030016790	S.CER C1005 JB 1E 103K-T	T	36.1/20.4
C174	4030019990	S.CER C1005 JB 1C 104K-T	T	69.6/32.2
C175	4030019990	S.CER C1005 JB 1C 104K-T	T	71.2/32.2
C176	4550008160	S.TAN F931A226MAA	T	35.7/23.4
C177	4030017460	S.CER C1005 JB 1H 102K-T	T	17.2/45.1
C178	4030016790	S.CER C1005 JB 1E 103K-T	T	62.1/30.1
C179	4030017500	S.CER C1005 CH 1H 560J-T	T	60.4/32.2
C180	4030017460	S.CER C1005 JB 1H 102K-T	B	62.8/27.4
C181	4030016950	S.CER C1005 JB 1A 473K-T	T	71.5/34.0
C182	4030017570	S.CER C1005 CH 1H 040B-T	T	60.4/33.1
C183	4030017460	S.CER C1005 JB 1H 102K-T	T	25.6/30.2
C185	4030017590	S.CER C1005 CH 1H 070C-T	T	60.4/34.9
C186	4030017730	S.CER C1005 JB 1H 471K-T	B	69.3/29.2
C187	4030019990	S.CER C1005 JB 1C 104K-T	B	68.3/29.9
C189	4030017460	S.CER C1005 JB 1H 102K-T	T	16.0/39.5
C190	4030019990	S.CER C1005 JB 1C 104K-T	B	71.6/35.4
C192	4030017730	S.CER C1005 JB 1H 471K-T	B	70.2/29.2
C193	4030017460	S.CER C1005 JB 1H 102K-T	B	70.6/26.4
C194	4030016950	S.CER C1005 JB 1A 473K-T	T	17.2/44.1
C195	4030017360	S.CER C1005 CH 1H 030B-T	B	60.4/34.0
C196	4030019990	S.CER C1005 JB 1C 104K-T	B	72.1/32.3
C197	4030019990	S.CER C1005 JB 1C 104K-T	B	20.2/36.8
C198	4030016790	S.CER C1005 JB 1E 103K-T	T	17.2/42.1
C199	4030018860	S.CER C1005 JB 0J 105K-T	T	67.5/39.0
C200	4030017460	S.CER C1005 JB 1H 102K-T	B	18.5/35.6
C201	4030017460	S.CER C1005 JB 1H 102K-T	T	22.2/30.9
C202	4030016790	S.CER C1005 JB 1E 103K-T	B	72.1/34.1
C203	4030017460	S.CER C1005 JB 1H 102K-T	B	19.3/38.4

Eqv.= This component is equivalent to the REF No. component listed above, and may be substituted on parts orders and repairs.

[MAIN UNIT]

REF NO.	PARTS NO.	DESCRIPTION	M.	H/V LOCATION
C204	4030017460	S.CER C1005 JB 1H 102K-T	B	22.1/38.4
C206	4030016790	S.CER C1005 JB 1E 103K-T	B	20.2/38.4
C207	4030017460	S.CER C1005 JB 1H 102K-T	T	15.1/39.5
C208	4030017460	S.CER C1005 JB 1H 102K-T	T	21.0/30.5
C210	4550007520	S.TAN F931A106MAABMA	T	64.5/39.3
C212	4030017460	S.CER C1005 JB 1H 102K-T	B	69.3/27.6
C214	4030017460	S.CER C1005 JB 1H 102K-T	B	72.1/33.2
C215	4030017460	S.CER C1005 JB 1H 102K-T	T	11.4/37.9
C216	4030017460	S.CER C1005 JB 1H 102K-T	B	13.2/38.5
C217	4030017460	S.CER C1005 JB 1H 102K-T	B	15.2/41.0
C218	4030017040	S.CER C1005 JB 1A 333K-T	B	62.6/32.8
C219	4030019990	S.CER C1005 JB 1C 104K-T	B	14.1/38.5
C220	4030017460	S.CER C1005 JB 1H 102K-T	B	13.9/40.9
C221	4030019560	S.CER GRM21BB31C106KE15L	B	16.2/44.2
C222	4030017460	S.CER C1005 JB 1H 102K-T	B	62.6/34.6
C223	4030019990	S.CER C1005 JB 1C 104K-T	B	15.0/37.6
C224	4030017630	S.CER C1005 CH 1H 120J-T	B	13.9/41.8
C225	4030017460	S.CER C1005 JB 1H 102K-T	B	14.2/44.2
C226	4030017670	S.CER C1005 CH 1H 390J-T	B	66.2/29.8
C228	4030019990	S.CER C1005 JB 1C 104K-T	B	64.0/29.6
C229	4030019990	S.CER C1005 JB 1C 104K-T	B	12.4/44.2
C230	4030016790	S.CER C1005 JB 1E 103K-T	T	17.2/39.3
C231	4030016790	S.CER C1005 JB 1E 103K-T	T	20.5/36.0
C232	4030019990	S.CER C1005 JB 1C 104K-T	B	59.7/28.2
C233	4030018890	S.CER C1005 JB 0J 224K-T	T	20.5/33.3
C234	4030016790	S.CER C1005 JB 1E 103K-T	T	18.5/31.7
C235	4030016790	S.CER C1005 JB 1E 103K-T	B	62.5/35.9
C236	4030017460	S.CER C1005 JB 1H 102K-T	T	12.5/34.2
C237	4030017460	S.CER C1005 JB 1H 102K-T	T	7.8/38.5
C238	4030016790	S.CER C1005 JB 1E 103K-T	B	57.3/33.6
C240	4030016790	S.CER C1005 JB 1E 103K-T	B	60.7/34.0
C242	4550007650	S.TAN F931V105MAABMA	T	16.9/29.0
C243	4030017460	S.CER C1005 JB 1H 102K-T	B	59.5/32.1
C244	4030017650	S.CER C1005 CH 1H 270J-T	B	58.2/33.6
C245	4030017420	S.CER C1005 CH 1H 470J-T	T	10.4/35.9
C246	4030017460	S.CER C1005 JB 1H 102K-T	T	20.5/35.1
C248	4030019990	S.CER C1005 JB 1C 104K-T	T	5.9/33.9
C250	4030017400	S.CER C1005 CH 1H 220J-T	T	10.1/33.6
C251	4030017460	S.CER C1005 JB 1H 102K-T	T	18.8/27.0
C252	4030017460	S.CER C1005 JB 1H 102K-T	T	5.0/33.9
C253	4030016790	S.CER C1005 JB 1E 103K-T	B	56.1/34.1
C254	4030017670	S.CER C1005 CH 1H 390J-T	T	8.8/34.1
C256	4030017600	S.CER C1005 CH 1H 080C-T	B	54.9/32.6
C259	4030017640	S.CER C1005 CH 1H 150J-T	B	51.1/30.5
C263	4030016790	S.CER C1005 JB 1E 103K-T	B	43.2/34.6
C264	4030017580	S.CER C1005 CH 1H 060C-T	B	44.5/35.0
C270	4030016790	S.CER C1005 JB 1E 103K-T	B	84.7/29.1
C271	4030020120	S.CER C1005 JB 0J 225M-T	B	86.6/30.3
C272	4030018860	S.CER C1005 JB 0J 105K-T	B	83.9/26.6
C273	4030020000	S.CER C1005 JB 1A 105K-T	B	80.5/28.1
C274	4030017760	S.CER C1005 JB 1H 222K-T	B	83.3/31.1
C327	4030017380	S.CER C1005 CH 1H 050B-T	T	31.9/29.0
C328	4030017460	S.CER C1005 JB 1H 102K-T	T	34.7/26.7
C329	4030017380	S.CER C1005 CH 1H 050B-T	T	36.7/28.5
C330	4030017460	S.CER C1005 JB 1H 102K-T	T	38.1/25.0
C331	4030017430	S.CER C1005 CH 1H 101J-T	B	64.0/28.7
C336	4030017460	S.CER C1005 JB 1H 102K-T	T	52.5/28.4
C337	4030016790	S.CER C1005 JB 1E 103K-T	B	55.9/29.0
C338	4030016790	S.CER C1005 JB 1E 103K-T	B	58.3/30.2
C340	4030016950	S.CER C1005 JB 1A 473K-T	B	52.9/26.5
C341	4030019990	S.CER C1005 JB 1C 104K-T	B	54.7/26.5
C346	4030017460	S.CER C1005 JB 1H 102K-T	T	31.2/23.6
C347	4030017460	S.CER C1005 JB 1H 102K-T	T	33.5/24.5
C348	4030017460	S.CER C1005 JB 1H 102K-T	T	30.2/27.8
C351	4030017430	S.CER C1005 CH 1H 101J-T	T	11.3/34.0
C352	4030019990	S.CER C1005 JB 1C 104K-T	T	31.4/27.3
C358	4030017420	S.CER C1005 CH 1H 470J-T	B	36.1/40.3
C360	4030018860	S.CER C1005 JB 0J 105K-T	B	78.1/40.2
C362	4030018860	S.CER C1005 JB 0J 105K-T	B	17.7/28.9
C363	4030020450	S.CER C1005 JB 0J 475M-T	B	61.3/31.6
C365	403			

[MAIN UNIT]

REF NO.	PARTS NO.	DESCRIPTION	M.	H/V LOCATION
C458	4030019990	S.CER C1005 JB 1C 104K-T	T	50.9/8.1
C459	4550008480	S.TAN F921C225MPA	T	54.4/7.0
C460	4550008150	S.TAN F921V224MAA	T	54.9/8.9
C461	4030017460	S.CER C1005 JB 1H 102K-T	T	42.5/11.7
C462	4030019990	S.CER C1005 JB 1C 104K-T	T	43.0/7.0
C463	4030017460	S.CER C1005 JB 1H 102K-T	T	42.8/8.8
C464	4030017460	S.CER C1005 JB 1H 102K-T	T	39.4/34.2
C465	4030017430	S.CER C1005 CH 1H 101J-T	T	59.5/14.1
C466	4030017460	S.CER C1005 JB 1H 102K-T	T	39.4/35.1
C467	4030017430	S.CER C1005 CH 1H 101J-T	T	59.5/13.2
C468	4030017460	S.CER C1005 JB 1H 102K-T	T	42.4/37.7
C469	4030017430	S.CER C1005 CH 1H 101J-T	T	56.6/10.5
C470	4030017570	S.CER C1005 CH 1H 040B-T	T	44.5/18.5
C471	4030017570	S.CER C1005 CH 1H 040B-T	T	44.4/22.0
C472	4030017460	S.CER C1005 JB 1H 102K-T	T	42.8/18.5
C473	4030018900	S.CER C1005 JB 0J 474K-T	T	42.8/22.0
C474	4030017570	S.CER C1005 CH 1H 040B-T	T	48.0/26.4
C475	4030017570	S.CER C1005 CH 1H 040B-T	T	46.3/26.5
C476	4030017570	S.CER C1005 CH 1H 040B-T	T	47.1/30.1
C477	4030017460	S.CER C1005 JB 1H 102K-T	T	51.3/26.4
C478	4030017460	S.CER C1005 JB 1H 102K-T	T	53.5/28.8
C479	4030017460	S.CER C1005 JB 1H 102K-T	T	44.7/26.5
C480	4030017460	S.CER C1005 JB 1H 102K-T	T	45.5/30.1
C481	4030017570	S.CER C1005 CH 1H 040B-T	T	49.6/26.4
C485	4030017460	S.CER C1005 JB 1H 102K-T	T	46.1/18.5
C503	4030017460	S.CER C1005 JB 1H 102K-T	T	12.0/8.0
C504	4030017460	S.CER C1005 JB 1H 102K-T	T	14.8/8.1
C505	4030007080	S.CER C1608 CH 1H 390J-T	T	6.3/25.2
C507	4030020100	S.CER GQM1882C1H110GB01D (G) [EUR]	T	9.8/25.2
		[UK]		
		[ITR]		
		[USA]		
		[KOR]		
		[EXP]		
		[EXP-01]		
		[CHN]		
		[AUS]		
		[EUR-01]		
		[USA-01]		
		[EUR-02]		
		[USA-02]		
		[EUR-03]		
		[USA-03]		
		[EUR-04]		
		[USA-04]		
		[EUR-05]		
		[USA-05]		
		[EUR-06]		
		[USA-06]		
		[CHN-06]		
C508	4030020100	S.CER GQM1882C1H110GB01D (G)	T	11.0/25.2
C509	4030017460	S.CER C1005 JB 1H 102K-T	B	6.5/24.3
C510	4030017590	S.CER C1005 CH 1H 070C-T [EUR]	T	12.3/22.6
		[UK]		
		[ITR]		
		[USA]		
		[KOR]		
		[EXP]		
		[EXP-01]		
		[CHN]		
		[AUS]		
		[EUR-01]		
		[USA-01]		
		[EUR-02]		
		[USA-02]		
		[EUR-03]		
		[USA-03]		
		[EUR-04]		
		[USA-04]		
		[EUR-05]		
		[USA-05]		
		[EUR-06]		
		[USA-06]		
		[CHN-06]		
C511	4030007120	S.CER C1608 CH 1H 820J-T	T	1.8/25.2
C512	4030017420	S.CER C1005 CH 1H 470J-T	T	12.3/21.0
C513	4030017460	S.CER C1005 JB 1H 102K-T	T	14.1/17.0
C514	4030017460	S.CER C1005 JB 1H 102K-T	T	11.6/18.2
C515	4030017460	S.CER C1005 JB 1H 102K-T	T	14.1/14.6
C516	4030017430	S.CER C1005 CH 1H 101J-T	T	3.5/23.2

Eqv.= This component is equivalent to the REF No. component listed above, and may be substituted on parts orders and repairs.

[MAIN UNIT]

REF NO.	PARTS NO.	DESCRIPTION	M.	H/V LOCATION
C517	4030017460	S.CER C1005 JB 1H 102K-T	B	5.2/23.9
C518	4030017460	S.CER C1005 JB 1H 102K-T	T	10.7/22.9
C519	4030017440	S.CER C1005 CH 1H 221J-T	B	7.9/20.0
C520	4030017520	S.CER C1005 CH 1H 0R3B-T	B	11.2/21.3
C521	4030017640	S.CER C1005 CH 1H 150J-T	T	3.5/22.3
C522	4030017570	S.CER C1005 CH 1H 040B-T	B	17.4/17.7
C524	4030017580	S.CER C1005 CH 1H 060C-T	B	15.8/18.6
C525	4030017640	S.CER C1005 CH 1H 150J-T	T	10.7/21.5
C526	4030017530	S.CER C1005 CH 1H 0R5B-T	B	13.7/17.2
C527	4030017460	S.CER C1005 JB 1H 102K-T	B	8.3/16.2
C528	4030017590	S.CER C1005 CH 1H 070C-T	B	17.1/15.0
C529	4030017620	S.CER C1005 CH 1H 100C-T	B	15.2/12.4
C530	4030020000	S.CER C1005 JB 1A 105K-T	B	13.1/23.1
C531	4030017460	S.CER C1005 JB 1H 102K-T	B	17.1/14.0
C532	4030017520	S.CER C1005 CH 1H 0R3B-T	B	12.3/17.0
C533	4030017460	S.CER C1005 JB 1H 102K-T	B	3.9/21.5
C536	4030017520	S.CER C1005 CH 1H 0R3B-T	B	13.4/16.0
C539	4030017590	S.CER C1005 CH 1H 070C-T	B	13.3/12.1
C540	4030017460	S.CER C1005 JB 1H 102K-T	B	17.9/10.5
C541	4030017440	S.CER C1005 CH 1H 221J-T	B	7.9/12.8
C543	4030017460	S.CER C1005 JB 1H 102K-T	B	2.2/20.7
C544	4030019990	S.CER C1005 JB 1C 104K-T	T	3.5/21.4
C545	4030017600	S.CER C1005 CH 1H 080C-T	B	12.0/12.7
C546	4030017530	S.CER C1005 CH 1H 0R5B-T	T	1.6/19.9
C547	4030017390	S.CER C1005 CH 1H 180J-T	T	1.9/21.4
C548	4030017670	S.CER C1005 CH 1H 390J-T	B	12.0/11.4
C549	4030017350	S.CER C1005 CH 1H 020B-T	T	2.5/19.9
C550	4030017570	S.CER C1005 CH 1H 040B-T	B	10.3/11.4
C551	4030017430	S.CER C1005 CH 1H 101J-T	B	9.2/9.9
C552	4030017530	S.CER C1005 CH 1H 0R5B-T	T	6.6/18.6
C553	4030017650	S.CER C1005 CH 1H 270J-T	T	2.1/18.0
C554	4030017590	S.CER C1005 CH 1H 070C-T	B	8.7/11.4
C555	4030017340	S.CER C1005 CH 1H 010B-T	T	8.6/20.0
C556	4030017650	S.CER C1005 CH 1H 270J-T	T	8.0/15.6
C560	4030017460	S.CER C1005 JB 1H 102K-T	B	3.9/20.6
C602	4030017630	S.CER C1005 CH 1H 120J-T	B	49.6/25.1
C603	4030018070	S.CER C1005 CH 1H 300J-T	B	49.7/20.8
C604	4030017340	S.CER C1005 CH 1H 010B-T	B	48.6/23.3
C605	4030017340	S.CER C1005 CH 1H 010B-T	B	47.3/21.9
C606	4030018860	S.CER C1005 JB 0J 105K-T	B	39.2/20.4
C607	4030018070	S.CER C1005 CH 1H 300J-T	B	46.0/19.9
C608	4030017460	S.CER C1005 JB 1H 102K-T	B	48.6/19.9
C609	4030017460	S.CER C1005 JB 1H 102K-T	B	39.2/19.5
C610	4030017510	S.CER C1005 CH 1H 680J-T	B	43.6/22.3
C613	4030017460	S.CER C1005 JB 1H 102K-T	B	39.2/17.7
C614	4030017430	S.CER C1005 CH 1H 101J-T	B	42.2/14.4
C615	4030017350	S.CER C1005 CH 1H 020B-T	B	42.2/12.7
C616	4030017460	S.CER C1005 JB 1H 102K-T	B	39.6/11.4
C617	4030017530	S.CER C1005 CH 1H 0R5B-T	B	39.6/13.9
C619	4030017380	S.CER C1005 CH 1H 050B-T	B	37.0/12.6
C620	4030017540	S.CER C1005 CH 1H R75B-T	B	35.5/11.9
C621	4030019990	S.CER C1005 JB 1C 104K-T	B	32.7/4.9
C623	4030017350	S.CER C1005 CH 1H 020B-T	B	31.3/6.1
C625	4030017340	S.CER C1005 CH 1H 010B-T	B	28.8/7.2
C626	4030018860	S.CER C1005 JB 0J 105K-T	B	27.9/7.2
C627	4030017460	S.CER C1005 JB 1H 102K-T	B	26.1/7.2
C630	4030017590	S.CER C1005 CH 1H 070C-T	B	23.4/5.4
C631	4030017600	S.CER C1005 CH 1H 080C-T	B	22.1/6.0
C634	4030017580	S.CER C1005 CH 1H 060C-T	B	20.8/6.4
C635	4030017460	S.CER C1005 JB 1H 102K-T	B	19.0/9.1
C641	4030017630	S.CER C1005 CH 1H 120J-T	B	52.3/10.1
C642	4030018070	S.CER C1005 CH 1H 300J-T	B	52.6/5.8
C643	4030017340	S.CER C1005 CH 1H 010B-T	B	51.6/8.8
C644	4030017340	S.CER C1005 CH 1H 010B-T	B	51.6/7.0
C645	4030017460	S.CER C1005 JB 1H 102K-T	B	47.8/9.2
C646	4030018070	S.CER C1005 CH 1H 300J-T	B	49.9/5.8
C647	4030017460	S.CER C1005 JB 1H 102K-T	B	51.2/4.6
C648	4030017460	S.CER C1005 JB 1H 102K-T	B	47.8/10.1
C649	4030017510	S.CER C1005 CH 1H 680J-T	B	49.0/7.9
C652	4030017460	S.CER C1005 JB 1H 102K-T	B	46.2/9.2
C653	4030017430	S.CER C1005 CH 1H 101J-T	B	42.9/8.2
C654	4030017350	S.CER C1005 CH 1H 020B-T	B	42.4/7.0
C655	4030017530	S.CER C1005 CH 1H 0R5B-T	B	39.8/8.2
C657	4030017540	S.CER C1005 CH 1H R75B-T	B	35.6/7.2
C658	4030017380	S.CER C1005 CH 1H 050B-T	B	37.0/7.4
C659	4030017460	S.CER C1005 JB 1H 102K-T	B	39.8/9.4
C701	4030017640	S.CER C1005 CH 1H 150J-T	B	39.0/27.3
C702	4030017460	S.CER C1005 JB 1H 102K-T	B	34.2/22.8
C703	4030017430	S.CER C1005 CH 1H 101J-T	B	34.6/27.1
C704	4030017530	S.CER C1005 CH 1H 0R5B-T	B	37.5/25.8
C705	4030017660	S.CER C1005 CH 1H 330J-T	B	36.6/25.8
C706	4030018860	S.CER C1005 JB 0J 105K-T	B	35.1/21.0
C707	4030017430	S.CER C1005 CH 1H 101J-T	B	34.6/24.3
C708	4030017460	S.CER C1005 JB 1H 102K-T	B	34.2/25.8
C709	4030017460	S.CER C1005 JB 1H 102K-T	B	34.2/21.0
C710	4030017460	S.CER C1005 JB 1H 102K-T	B	37.1/23.2
C711	4030017430	S.CER C1005 CH 1H 101J-T	B	37.4/15.3
C712	4030017460	S.CER C1005 JB 1H 102K-T	B	14.9/24.0
C713	4030017460	S.CER C1005 JB 1H 102K-T	B	34.6/19.6
C714	4030017360	S.CER C1005 CH 1H 030B-T	B	34.8/14.9
C715	4030017430	S.CER C1005 CH 1H 101J-T	B	32.9/13.3
C716	4030017350	S.CER C1005 CH 1H 020B-T	B	29.9/11.2
C717	4030017690	S.CER C1005 CH 1H 121J-T	B	32.2/9.8
C718	4030017600	S.CER C1005 CH 1H 080C-T	B	24.8/10.7
C719	4030017560	S.CER C1005 CH 1H 2R5B-T	B	22.2/9.4
C722	4030017460	S.CER C1005 JB 1H 102K-T	B	21.8/8.2
C723	4030017460	S.CER C1005 JB 1H 102K-T	B	20.2/14.4
C724	4030017670	S.CER C1005 CH 1H 390J-T	B	17.8/23.1
C725	4030017460	S.CER C1005 JB 1H 102K-T	B	17.8/19.1
C726	4030017610	S.CER C1005 CH 1H 090C-T	B	37.4/17.1
C740	4030017640	S.CER C1005 CH 1H 150J-T	B	55.0/18.2
C741	4030017430	S.CER C1005 CH 1H 101J-T	B	52.9/18.3
C742	4030017530	S.CER C1005 CH 1H 0R5B-T	B	51.1/20.3
C743	4030017660	S.CER C1005 CH 1H 330J-T	B	51.5/19.4
C744	4030017460	S.CER C1005 JB 1H 102K-T	B	48.7/17.4

M.=Mounted side (T: Mounted on the Top side, B: Mounted on the Bottom side) S.=Surface mount

[MAIN UNIT]

REF NO.	PARTS NO.	DESCRIPTION	M.	H/V LOCATION
C745	4030017430	S.CER C1005 CH 1H 101J-T	B	50.3/16.2
C746	4030017440	S.CER C1005 CH 1H 221J-T	B	51.2/16.2
C748	4030017460	S.CER C1005 JB 1H 102K-T	B	48.3/16.2
C749	4030017610	S.CER C1005 CH 1H 090C-T	B	48.4/13.8
C750	4030017430	S.CER C1005 CH 1H 101J-T	B	49.3/13.8
C751	4030017460	S.CER C1005 JB 1H 102K-T	B	45.1/16.9
C752	4030017360	S.CER C1005 CH 1H 030B-T	B	44.2/14.2
C753	4030017430	S.CER C1005 CH 1H 101J-T	B	38.4/9.4
C754	4030017350	S.CER C1005 CH 1H 020B-T	B	30.7/10.3
C755	4030017460	S.CER C1005 JB 1H 102K-T	B	34.7/9.8
C756	4030017460	S.CER C1005 JB 1H 102K-T	B	29.5/9.8
C757	4030017460	S.CER C1005 JB 1H 102K-T	T	29.1/11.7
C780	4030016790	S.CER C1005 JB 1E 103K-T	T	26.4/8.7
C781	4030017430	S.CER C1005 CH 1H 101J-T	T	19.0/14.7
C782	4030016790	S.CER C1005 JB 1E 103K-T	T	25.5/7.1
C783	4030017400	S.CER C1005 CH 1H 220J-T	T	18.0/14.8
C784	4030017610	S.CER C1005 CH 1H 090C-T	T	18.0/16.4
C785	4030017660	S.CER C1005 CH 1H 330J-T	T	19.3/19.7
C786	4030017670	S.CER C1005 CH 1H 390J-T	T	17.7/17.6
C788	4030017460	S.CER C1005 JB 1H 102K-T	T	16.5/17.0
C789	4030017430	S.CER C1005 CH 1H 101J-T	B	15.4/22.8
C791	4030017460	S.CER C1005 JB 1H 102K-T	T	35.6/35.3
C792	4030017460	S.CER C1005 JB 1H 102K-T	B	38.6/40.6
C793	4030017430	S.CER C1005 CH 1H 101J-T	B	37.3/35.5
C794	4030017340	S.CER C1005 CH 1H 010B-T	B	34.9/35.3
C795	4030018860	S.CER C1005 JB 0J 105K-T	B	42.3/41.9
C796	4030017570	S.CER C1005 CH 1H 040B-T	B	43.5/40.8
C797	4030017570	S.CER C1005 CH 1H 040B-T	B	34.9/40.5
C801	4030017460	S.CER C1005 JB 1H 102K-T	B	47.5/29.2
C802	4030017400	S.CER C1005 CH 1H 220J-T	B	45.9/28.2
C803	4030016790	S.CER C1005 JB 1E 103K-T	B	47.5/28.2
C804	4030017460	S.CER C1005 JB 1H 102K-T	B	50.5/25.1
C805	4030017460	S.CER C1005 JB 1H 102K-T	B	46.1/24.2
C806	4030017350	S.CER C1005 CH 1H 020B-T	B	44.6/26.6
C811	4030017460	S.CER C1005 JB 1H 102K-T	B	56.4/10.3
C812	4030017640	S.CER C1005 CH 1H 150J-T	B	56.4/12.1
C813	4030016790	S.CER C1005 JB 1E 103K-T	B	55.8/9.4
C814	4030017460	S.CER C1005 JB 1H 102K-T	B	54.1/13.4
C815	4030017460	S.CER C1005 JB 1H 102K-T	B	53.2/13.4
C817	4030017350	S.CER C1005 CH 1H 020B-T	B	53.2/15.0
C820	4030017460	S.CER C1005 JB 1H 102K-T	B	41.2/31.0
C821	4030017400	S.CER C1005 CH 1H 220J-T	B	39.6/31.9
C822	4030016790	S.CER C1005 JB 1E 103K-T	B	41.2/31.9
C823	4030017460	S.CER C1005 JB 1H 102K-T	B	42.2/30.0
C824	4030017460	S.CER C1005 JB 1H 102K-T	B	40.1/26.0
C825	4030017590	S.CER C1005 CH 1H 070C-T	B	41.0/25.8
C826	4030017400	S.CER C1005 CH 1H 220J-T	B	42.2/25.8
C830	4030017460	S.CER C1005 JB 1H 102K-T	B	58.5/19.5
C831	4030017640	S.CER C1005 CH 1H 150J-T	B	60.9/16.5
C832	4030016790	S.CER C1005 JB 1E 103K-T	B	58.5/20.4
C833	4030017460	S.CER C1005 JB 1H 102K-T	B	54.2/21.5
C834	4030017460	S.CER C1005 JB 1H 102K-T	B	56.9/19.5
C836	4030017460	S.CER C1005 JB 1H 102K-T	B	56.9/20.4
C850	4030017420	S.CER C1005 CH 1H 470J-T	B	66.0/15.6
C852	4030017460	S.CER C1005 JB 1H 102K-T	B	67.8/17.8
C853	4030017460	S.CER C1005 JB 1H 102K-T	B	62.6/18.4
C854	4030017460	S.CER C1005 JB 1H 102K-T	B	62.6/16.6
C855	4030017460	S.CER C1005 JB 1H 102K-T	B	67.8/16.8
C856	4030017420	S.CER C1005 CH 1H 470J-T	B	62.6/17.5
C858	4030017420	S.CER C1005 CH 1H 470J-T	B	65.7/14.3
C859	4030017420	S.CER C1005 CH 1H 470J-T	B	62.2/20.2
C860	4030017430	S.CER C1005 CH 1H 101J-T	B	62.2/14.3
C861	4030017420	S.CER C1005 CH 1H 470J-T	B	64.7/22.6
C862	4030017460	S.CER C1005 JB 1H 102K-T	T	85.1/21.2
C863	4030018860	S.CER C1005 JB 0J 105K-T	T	22.6/8.1
C864	4030018860	S.CER C1005 JB 0J 105K-T	T	20.3/10.2
C865	4030017460	S.CER C1005 JB 1H 102K-T	T	85.1/19.4
C880	4030016790	S.CER C1005 JB 1E 103K-T	B	64.6/7.4
C881	4030017590	S.CER C1005 CH 1H 070C-T	B	63.1/7.0
C882	4030017390	S.CER C1005 CH 1H 180J-T	B	56.4/7.2
C883	4030017580	S.CER C1005 CH 1H 060C-T	B	60.6/13.6
C884	4030016790	S.CER C1005 JB 1E 103K-T	B	59.0/14.5
C900	4030017390	S.CER C1005 CH 1H 180J-T	T	77.1/10.7
C901	4030017460	S.CER C1005 JB 1H 102K-T	T	64.7/10.7
C903	4030017390	S.CER C1005 CH 1H 180J-T	T	60.4/16.6
C904	4030016790	S.CER C1005 JB 1E 103K-T	T	62.5/10.3
C906	4030017630	S.CER C1005 CH 1H 120J-T	T	62.2/7.0
C907	4030017350	S.CER C1005 CH 1H 020B-T	T	62.7/8.2
C908	4030017630	S.CER C1005 CH 1H 120J-T	T	63.1/7.0
C909	4030017730	S.CER C1005 JB 1H 471K-T	T	73.1/17.5
C910	4030019990	S.CER C1005 JB 1C 104K-T	T	75.9/10.2
C911	4030019990	S.CER C1005 JB 1C 104K-T	B	71.0/15.3
C912	4030017730	S.CER C1005 JB 1H 471K-T	B	74.3/16.6
C913	4030017460	S.CER C1005 JB 1H 102K-T	B	70.3/17.9
C914	4030017350	S.CER C1005 CH 1H 020B-T	B	64.1/9.0
C915	4030019990	S.CER C1005 JB 1C 104K-T	B	73.1/15.7
C916	4030018860	S.CER C1005 JB 0J 105K-T	B	69.0/12.0
C917	4030016790	S.CER C1005 JB 1E 103K-T	B	68.3/13.0
C918	4550007520	S.TAN F931A106MAABMA	T	74.9/6.6
C919	4030017460	S.CER C1005 JB 1H 102K-T	B	75.2/16.9
C920	4030017460	S.CER C1005 JB 1H 102K-T	B	72.2/15.7
C921	4030017040	S.CER C1005 JB 1A 333K-T	B	71.5/5.6
C922	4030017460	S.CER C1005 JB 1H 102K-T	B	71.5/6.5
C923	4030017670	S.CER C1005 CH 1H 390J-T	B	74.5/6.1
C924	4030020450	S.CER C1005 JB 0J 475M-T	T	73.3/8.6
C925	4030016790	S.CER C1005 JB 1E 103K-T	B	69.5/10.3
C926	4030016790	S.CER C1005 JB 1E 103K-T	B	66.7/7.8
C927	4030016790	S.CER C1005 JB 1E 103K-T	B	68.6/10.3
C928	4030017460	S.CER C1005 JB 1H 102K-T	B	70.1/4.8
C929	4030017390	S.CER C1005 CH 1H 180J-T	B	67.6/7.8
C930	4030019990	S.CER C1005 JB 1C 104K-T	T	85.1/11.4
C931	4030017460	S.CER C1005 JB 1H 102K-T	T	84.1/11.0
C932	4030018900	S.CER C1005 JB 0J 474K-T	T	83.8/14.5
C933	4030016790	S.CER C1005 JB 1E 103K-T	T	81.4/11.0
C934	4550008160	S.TAN F931A226MPA	T	78.8/15.6

Eqv.= This component is equivalent to the REF No. component listed above, and may be substituted on parts orders and repairs.

[MAIN UNIT]

REF NO.	PARTS NO.	DESCRIPTION	M.	H/V LOCATION
C935	4030018860	S.CER C1005 JB 0J 105K-T	T	78.9/19.1
C936	4030018860	S.CER C1005 JB 0J 105K-T	T	83.8/18.6
C937	4030016790	S.CER C1005 JB 1E 103K-T	T	83.8/16.8
C938	4030017460	S.CER C1005 JB 1H 102K-T	T	80.8/18.2
C939	4030018860	S.CER C1005 JB 0J 105K-T	B	76.1/16.9
C940	4030017460	S.CER C1005 JB 1H 102K-T	B	73.6/19.7
C941	4030019990	S.CER C1005 JB 1C 104K-T	T	82.3/12.6
C951	4030019990	S.CER C1005 JB 1C 104K-T	T	29.1/12.6
C952	4030019990	S.CER C1005 JB 1C 104K-T	T	29.1/13.6
C953	4030019990	S.CER C1005 JB 1C 104K-T	T	31.0/8.7
C954	4030019990	S.CER C1005 JB 1C 104K-T	T	29.1/14.6
C955	4030019990	S.CER C1005 JB 1C 104K-T	B	64.7/24.2
C956	4030019990	S.CER C1005 JB 1C 104K-T	T	29.1/10.8
C957	4550008490	S.TAN F920J226MPA	T	36.0/7.7
C958	4030019990	S.CER C1005 JB 1C 104K-T	T	29.1/15.5
C959	4030017400	S.CER C1005 CH 1H 220J-T	B	73.4/23.1
C960	4030017400	S.CER C1005 CH 1H 220J-T	B	74.6/22.9
C961	4030016950	S.CER C1005 JB 1A 473K-T	T	38.6/15.3
C962	4030019990	S.CER C1005 JB 1C 104K-T	T	38.6/14.4
C963	4030017400	S.CER C1005 CH 1H 220J-T	T	38.6/13.5
C964	4030017460	S.CER C1005 JB 1H 102K-T	B	17.8/25.2
C965	4030019990	S.CER C1005 JB 1C 104K-T	T	24.6/8.1
C966	4030016790	S.CER C1005 JB 1E 103K-T	T	27.3/5.9
C967	4030018860	S.CER C1005 JB 0J 105K-T	T	31.6/3.7
C969	4030017460	S.CER C1005 JB 1H 102K-T	B	50.2/13.3
C970	4030017340	S.CER C1005 CH 1H 010B-T	B	47.3/22.8
C971	4030017530	S.CER C1005 CH 1H 0R5B-T	B	39.2/22.5
C972	4030017340	S.CER C1005 CH 1H 010B-T	B	51.6/7.9
C973	4030017530	S.CER C1005 CH 1H 0R5B-T	B	50.2/10.1
C974	4030017460	S.CER C1005 JB 1H 102K-T	T	42.2/30.0
C975	4030018860	S.CER C1005 JB 0J 105K-T	B	14.0/23.1
C976	4030017340	S.CER C1005 CH 1H 010B-T	B	18.1/21.8
C977	4030018860	S.CER C1005 JB 0J 105K-T	B	80.4/36.2
C978	4030017720	S.CER C1005 JB 1H 331K-T	B	77.2/33.6
C979	4030018860	S.CER C1005 JB 0J 105K-T	B	74.6/34.3
C980	4030018860	S.CER C1005 JB 0J 105K-T	B	75.4/35.8
C981	4030017400	S.CER C1005 CH 1H 220J-T	T	38.6/12.0
C982	4030017440	S.CER C1005 CH 1H 221J-T	T	47.3/11.5
C986	4030017460	S.CER C1005 JB 1H 102K-T	T	18.5/7.0
C988	4030017420	S.CER C1005 CH 1H 470J-T	B	67.8/18.7
C989	4030017460	S.CER C1005 JB 1H 102K-T	T	62.4/41.2
C990	4030017340	S.CER C1005 CH 1H 101J-T	T	19.4/12.3
C991	4030018900	S.CER C1005 JB 0J 474K-T	T	40.8/37.7
C992	4030018900	S.CER C1005 JB 0J 474K-T	T	58.2/10.5
C993	4030018900	S.CER C1005 JB 0J 474K-T	T	59.1/12.0
C994	4030017460	S.CER C1005 JB 1H 102K-T	B	80.9/35.0
C995	4030017620	S.CER C1005 CH 1H 100C-T	T	86.1/33.4
C996	4030017620	S.CER C1005 CH 1H 100C-T	T	84.9/31.6
C997	4030017620	S.CER C1005 CH 1H 100C-T	T	84.0/31.9
C998	4030017620	S.CER C1005 CH 1H 100C-T	T	81.1/41.4
C999	4030017570	S.CER C1005 CH 1H 040B-T	B	80.5/37.6
C1000	4030017570	S.CER C1005 CH 1H 040B-T	B	79.6/37.6
C1001	4030019120	S.CER GRM188B31E105KA75D	B	64.2/44.9
J2	6450000870	CON HEC2711-01-020		
J3	6510028130	S.CON AXK5S50047YG	T	78.9/37.2
J4	6510025880	CON TC38-108-01 <CFE>		
J5	6450000131	CON HSJ1102-018540		
J450	6510029520	S.CON AXK5F12347YG	T	44.1/33.8
J451	6510029520	S.CON AXK5F12347YG	T	55.0/14.3
S2	2260001900	SWI SW-149 (SKHLLDA010)		
W1	8920000570	C_C CAB-1064(UL3302AWG32 R)		
W2	8920000570	C_C CAB-1064(UL3302AWG32 R)		
EP2	6910019100	S.BEA MPZ1608S101AT	T	30.7/32.0
EP3	6910023820	S.BEA MPZ2012S101A-T	B	80.5/41.4
EP4	6910019100	S.BEA MPZ1608S101AT	T	26.8/20.6
EP5	6910019100	S.BEA MPZ1608S101AT	T	70.8/43.2
EP6	6910019100	S.BEA MPZ1608S101AT	T	69.5/43.2
EP7	6910023920	S.BEA BLM15GA750SN1D	B	26.4/45.5
EP8	6910023920	S.BEA BLM15GA750SN1D	B	21.4/43.7
EP9	6910023920	S.BEA BLM15GA750SN1D	B	23.5/45.5
EP10	6910012350	S.BEA MMZ1608Y102BT	B	28.0/39.9
EP11	69100			

[VCO1 UNIT]

REF NO.	PARTS NO.	DESCRIPTION	M.	H/V LOCATION
Q1	1590004070	S.TRA LDTCL44EET1G <SLVJ>	T	7.5/1.3
Q27	1530003260	S.TRA 2SC5006-T1	T	16.6/5.4
Q200	1530003260	S.TRA 2SC5006-T1	T	16.4/8.9
Q201	1530003260	S.TRA 2SC5006-T1	T	5.4/7.8
Q202	1530003260	S.TRA 2SC5006-T1	T	5.6/11.0
Q308	1590004090	S.TRA LDTCL114YET1G <SLVJ>	T	7.3/12.9
Q311	1530003260	S.TRA 2SC5006-T1	T	17.3/15.3
D1	1750001700	S.DIO HSC277TRF-E	T	12.3/2.5
D10	1750001610	S.VAR HVC365TRF-E	T	9.3/1.6
D11	1750000721	S.VAR HVC375BTRF-E	T	10.5/4.1
D12	1750000711	S.VAR HVC350BTRF-E	T	10.5/1.6
D53	1750002540	S.DIO LRB520G-30T1G <SLVJ>	T	8.8/6.7
D103	1750002540	S.DIO LRB520G-30T1G <SLVJ>	T	10.5/6.5
D304	1750001610	S.VAR HVC365TRF-E	T	10.7/11.4
D305	1750001610	S.VAR HVC365TRF-E	T	10.5/13.9
D306	1750001610	S.VAR HVC365TRF-E	T	9.3/12.9
D308	1750001700	S.DIO HSC277TRF-E	T	12.4/12.3
L3	6200010630	S.COI LQW18AN8N2D00D	T	15.0/1.7
L4	6200012170	S.COI MLG1608S R18J-T	T	7.6/2.9
L5	6200010630	S.COI LQW18AN8N2D00D	T	14.3/3.7
L6	6200014760	S.COI MLK1005SR22JT	T	12.4/6.3
L200	6200014760	S.COI MLK1005SR22JT	T	5.0/6.0
L201	6200013750	S.COI MLK1005SR10JT	T	4.8/9.5
L202	6200013860	S.COI MLK1005S12NJT	T	3.4/11.9
L203	6200007931	S.COI ELJRF 12NJFB *0	T	3.4/4.8
L204	6200013800	S.COI MLK1005S39NJT	T	14.8/9.0
L302	6200012170	S.COI MLG1608S R18J-T	T	7.5/14.5
L306	6200009280	S.COI LQW18AN27NG00D (LQW1608A27NG00)	T	14.3/13.5
L307	6200012050	S.COI LQW18AN24NG00D	T	15.1/11.4
R1	7030005240	S.RES ERJ2GEJ 473 X (47K)	T	11.6/3.8
R2	7030007290	S.RES ERJ2GEJ 222 X (2.2K)	T	12.5/3.8
R3	7030005040	S.RES ERJ2GEJ 472 X (4.7K)	T	13.1/1.2
R82	7030005210	S.RES ERJ2GEJ 822 X (8.2K)	T	4.9/16.4
R83	7030005050	S.RES ERJ2GEJ 103 X (10K)	T	5.0/3.6
R89	7030007290	S.RES ERJ2GEJ 222 X (2.2K)	T	3.3/16.4
R100	7030007320	S.RES ERJ2GEJ 225 X (2.2M)	T	8.0/5.2
R101	7030008270	S.RES RR0510P-104-D (100K)	T	8.3/4.0
R114	7030005820	S.RES RR0510P-103-D (10K)	T	16.8/1.2
R117	7030011000	S.RES RR0510P-392-D (3.9K)	T	14.2/6.3
R120	7030008280	S.RES ERJ2GEJ 271 X (270)	T	17.7/1.2
R126	7030005710	S.RES ERJ2GEJ 121 X (120)	T	18.0/6.7
R200	7030004980	S.RES ERJ2GEJ 101 X (100)	T	13.6/8.6
R201	7030005720	S.RES ERJ2GEJ 563 X (56K)	T	16.7/7.3
R202	7030010040	S.RES ERJ2GEJ-JPW	T	12.0/9.5
R203	7030004980	S.RES ERJ2GEJ 101 X (100)	T	10.4/9.5
R204	7030010040	S.RES ERJ2GEJ-JPW	T	10.6/8.6
R205	7030004970	S.RES ERJ2GEJ 470 X (47)	T	8.4/7.6
R206	7030005060	S.RES ERJ2GEJ 333 X (33K)	T	7.1/7.6
R207	7030004990	S.RES ERJ2GEJ 221 X (220)	T	8.8/9.5
R208	7030005070	S.RES ERJ2GEJ 683 X (68K)	T	7.2/10.8
R348	7030007320	S.RES ERJ2GEJ 225 X (2.2M)	T	7.9/16.4
R352	7030008270	S.RES RR0510P-104-D (100K)	T	7.9/15.5
R356	7030005240	S.RES ERJ2GEJ 473 X (47K)	T	11.6/13.6
R358	7030005120	S.RES ERJ2GEJ 102 X (1K)	T	12.5/13.6
R360	7030005040	S.RES ERJ2GEJ 472 X (4.7K)	T	13.1/10.9
R363	7030005820	S.RES RR0510P-103-D (10K)	T	16.5/11.2
R366	7030006010	S.RES RR0510P-472-D (4.7K)	T	15.9/15.9
R371	7030004970	S.RES ERJ2GEJ 470 X (47)	T	12.4/16.0
R372	7030008280	S.RES ERJ2GEJ 271 X (270)	T	16.5/10.3
R375	7030005710	S.RES ERJ2GEJ 121 X (120)	T	18.0/9.1
R376	7030005030	S.RES ERJ2GEJ 152 X (1.5K)	T	5.4/4.8
C1	4030016790	S.CER C1005 JB 1E 103K-T	T	14.0/2.1
C2	4030016790	S.CER C1005 JB 1E 103K-T	T	11.6/1.2
C3	4030017460	S.CER C1005 JB 1H 102K-T	T	5.1/1.5
C85	4030017460	S.CER C1005 JB 1H 102K-T	T	4.2/1.5
C98	4030016930	S.CER C1005 JB 1A 104K-T	T	6.6/4.0
C101	4030017460	S.CER C1005 JB 1H 102K-T	T	6.7/4.9
C103	4030017520	S.CER C1005 CH 1H 0R3B-T	T	9.5/3.7
C108	4030017520	S.CER C1005 CH 1H 0R3B-T	T	9.2/4.9
C118	4030017460	S.CER C1005 JB 1H 102K-T	T	15.1/6.3
C119	4030007010	S.CER C1608 CH 1H 100D-T	T	14.3/4.9
C124	4030007030	S.CER C1608 CH 1H 150J-T	T	17.0/3.7
C125	4030007010	S.CER C1608 CH 1H 100D-T	T	17.0/2.5
C126	4030017460	S.CER C1005 JB 1H 102K-T	T	11.5/6.3
C132	4030017540	S.CER C1005 CH 1H R75B-T	T	18.0/5.1
C200	4030017460	S.CER C1005 JB 1H 102K-T	T	12.4/8.3
C201	4030017400	S.CER C1005 CH 1H 220J-T	T	13.6/9.5
C202	4030017460	S.CER C1005 JB 1H 102K-T	T	8.4/11.3
C203	4030017460	S.CER C1005 JB 1H 102K-T	T	6.6/6.4
C204	4030017460	S.CER C1005 JB 1H 102K-T	T	9.0/8.6
C205	4030017460	S.CER C1005 JB 1H 102K-T	T	3.8/7.0
C206	4030017460	S.CER C1005 JB 1H 102K-T	T	6.4/9.5
C207	4030017650	S.CER C1005 CH 1H 270J-T	T	8.7/10.4
C208	4030017460	S.CER C1005 JB 1H 102K-T	T	3.0/10.5
C209	4030017570	S.CER C1005 CH 1H 040B-T	T	3.9/14.0
C210	4030017570	S.CER C1005 CH 1H 040B-T	T	3.0/14.0
C211	4030017350	S.CER C1005 CH 1H 020B-T	T	3.4/12.8
C214	4030017460	S.CER C1005 JB 1H 102K-T	T	6.0/1.5
C341	4030016930	S.CER C1005 JB 1A 104K-T	T	5.4/15.4
C345	4030017460	S.CER C1005 JB 1H 102K-T	T	6.6/16.1
C349	4030017460	S.CER C1005 JB 1H 102K-T	T	10.2/16.0
C350	4030017460	S.CER C1005 JB 1H 102K-T	T	4.8/12.9
C356	4030017520	S.CER C1005 CH 1H 0R3B-T	T	9.3/15.0
C361	4030019990	S.CER C1005 JB 1C 104K-T	T	12.2/10.9
C366	4030016930	S.CER C1005 JB 1A 104K-T	T	14.0/11.8
C368	4030007040	S.CER C1608 CH 1H 180J-T	T	14.3/14.7

[VCO1 UNIT]

REF NO.	PARTS NO.	DESCRIPTION	M.	H/V LOCATION
C374	4030017460	S.CER C1005 JB 1H 102K-T	T	11.5/16.0
C375	4030007060	S.CER C1608 CH 1H 270J-T	T	17.0/13.5
C376	4030007080	S.CER C1608 CH 1H 390J-T	T	17.0/12.3
C386	4030017340	S.CER C1005 CH 1H 010B-T	T	18.0/10.7
C389	4030017460	S.CER C1005 JB 1H 102K-T	T	13.3/16.0
C390	4030017460	S.CER C1005 JB 1H 102K-T	T	5.7/12.9
C391	4030017460	S.CER C1005 JB 1H 102K-T	T	15.0/7.8
J1	6510029530	S.CON AXK6F12347YG	B	5.0/8.9

Eqv.= This component is equivalent to the REF No. component listed above, and may be substituted on parts orders and repairs.

M.=Mounted side (T: Mounted on the Top side, B: Mounted on the Bottom side)
S.=Surface mount

[VCO2 UNIT]

REF NO.	PARTS NO.	DESCRIPTION	M.	H/V LOCATION
Q1	1590004070	S.TRA LDTCL44EET1G <SLVJ>	T	7.5/1.3
Q27	1530003260	S.TRA 2SC5006-T1	T	16.6/5.4
Q200	1530003260	S.TRA 2SC5006-T1	T	16.4/8.9
Q201	1530003260	S.TRA 2SC5006-T1	T	5.4/7.8
Q202	1530003260	S.TRA 2SC5006-T1	T	5.6/11.0
Q308	1590004090	S.TRA LDTCL114YET1G <SLVJ>	T	7.3/12.9
Q311	1530003260	S.TRA 2SC5006-T1	T	17.3/15.3
D1	1750001700	S.DIO HSC277TRF-E	T	12.3/2.5
D10	1750001610	S.VAR HVC365TRF-E	T	9.3/1.6
D11	1750000721	S.VAR HVC375BTRF-E	T	10.5/4.1
D12	1750000711	S.VAR HVC350BTRF-E	T	10.5/1.6
D53	1750002540	S.DIO LRB520G-30T1G <SLVJ>	T	8.8/6.7
D103	1750002540	S.DIO LRB520G-30T1G <SLVJ>	T	10.5/6.5
D304	1750001610	S.VAR HVC365TRF-E	T	10.7/11.4
D305	1750001610	S.VAR HVC365TRF-E	T	10.5/13.9
D306	1750001610	S.VAR HVC365TRF-E	T	9.3/12.9
D308	1750001700	S.DIO HSC277TRF-E	T	12.4/12.3
L3	6200010630	S.COI LQW18AN8N2D00D	T	15.0/1.7
L4	6200012170	S.COI MLG1608S R18J-T	T	7.6/2.9
L5	6200010630	S.COI LQW18AN8N2D00D	T	14.3/3.7
L6	6200014760	S.COI MLK1005SR22JT	T	12.4/6.3
L200	6200014760	S.COI MLK1005SR22JT	T	5.0/6.0
L201	6200013750	S.COI MLK1005SR10JT	T	4.8/9.5
L202	6200013860	S.COI MLK1005S12NJT	T	3.4/11.9
L203	6200007931	S.COI ELJRF 12NJFB *0	T	3.4/4.8
L204	6200013800	S.COI MLK1005S39NJT	T	14.8/9.0
L302	6200012170	S.COI MLG1608S R18J-T	T	7.5/14.5
L306	6200009280	S.COI LQW18AN27NG00D (LQW1608A27NG00)	T	14.3/13.5
L307	6200012050	S.COI LQW18AN24NG00D	T	15.1/11.4
R1	7030005240	S.RES ERJ2GEJ 473 X (47K)	T	11.6/3.8
R2	7030007290	S.RES ERJ2GEJ 222 X (2.2K)	T	12.5/3.8
R3	7030005040	S.RES ERJ2GEJ 472 X (4.7K)	T	13.1/1.2
R82	7030005210	S.RES ERJ2GEJ 822 X (8.2K)	T	4.9/16.4
R83	7030005050	S.RES ERJ2GEJ 103 X (10K)	T	5.0/3.6
R89	7030007290	S.RES ERJ2GEJ 222 X (2.2K)	T	3.3/16.4
R100	7030007320	S.RES ERJ2GEJ 225 X (2.2M)	T	8.0/5.2
R101	7030008270	S.RES RR0510P-104-D (100K)	T	8.3/4.0
R114	7030005820	S.RES RR0510P-103-D (10K)	T	16.8/1.2
R117	7030011000	S.RES RR0510P-392-D (3.9K)	T	14.2/6.3
R120	7030008280	S.RES ERJ2GEJ 271 X (270)	T	17.7/1.2
R126	7030005710	S.RES ERJ2GEJ 121 X (120)	T	18.0/6.7
R200	7030004980	S.RES ERJ2GEJ 101 X (100)	T	13.6/8.6
R201	7030005720	S.RES ERJ2GEJ 563 X (56K)	T	16.7/7.3
R202	7030010040	S.RES ERJ2GEJ-JPW	T	12.0/9.5
R203	7030004980	S.RES ERJ2GEJ 101 X (100)	T	10.4/9.5
R204	7030010040	S.RES ERJ2GEJ-JPW	T	10.6/8.6
R205	7030004970	S.RES ERJ2GEJ 470 X (47)	T	8.4/7.6
R206	7030005060	S.RES ERJ2GEJ 333 X (33K)	T	7.1/7.6
R207	7030004990	S.RES ERJ2GEJ 221 X (220)	T	8.8/9.5
R208	7030005070	S.RES ERJ2GEJ 683 X (68K)	T	7.2/10.8
R348	7030007320	S.RES ERJ2GEJ 225 X (2.2M)	T	7.9/16.4
R352	7030008270	S.RES RR0510P-104-D (100K)	T	7.9/15.5
R356	7030005240	S.RES ERJ2GEJ 473 X (47K)	T	11.6/13.6
R358	7030005120	S.RES ERJ2GEJ 102 X (1K)	T	12.5/13.6
R360	7030005040	S.RES ERJ2GEJ 472 X (4.7K)	T	13.1/10.9
R363	7030005820	S.RES RR0510P-103-D (10K)	T	16.5/11.2
R366	7030006010	S.RES RR0510P-472-D (4.7K)	T	15.9/15.9
R371	7030004970	S.RES ERJ2GEJ 470 X (47)	T	12.4/16.0
R372	7030008280	S.RES ERJ2GEJ 271 X (270)	T	16.5/10.3
R375	7030005710	S.RES ERJ2GEJ 121 X (120)	T	18.0/9.1
R376	7030005030	S.RES ERJ2GEJ 152 X (1.5K)	T	5.4/4.8
C1	4030016790	S.CER C1005 JB 1E 103K-T	T	14.0/2.1
C2	4030016790	S.CER C1005 JB 1E 103K-T	T	11.6/1.2
C3	4030017460	S.CER C1005 JB 1H 102K-T	T	5.1/1.5
C85	4030017460	S.CER C1005 JB 1H 102K-T	T	4.2/1.5
C98	4030016930	S.CER C1005 JB 1A 104K-T	T	6.6/4.0
C101	4030017460	S.CER C1005 JB 1H 102K-T	T	6.7/4.9
C103	4030017520	S.CER C1005 CH 1H 0R3B-T	T	9.5/3.7
C108	4030017520	S.CER C1005 CH 1H 0R3B-T	T	9.2/4.9
C118	4030017460	S.CER C1005 JB 1H 102K-T	T	15.1/6.3
C119	4030007010	S.CER C1608 CH 1H 100D-T	T	14.3/4.9
C124	4030007030	S.CER C1608 CH 1H 150J-T	T	17.0/3.7
C125	4030007010	S.CER C1608 CH 1H 100D-T	T	17.0/2.5
C126	4030017460	S.CER C1005 JB 1H 102K-T	T	11.5/6.3
C132	4030017540	S.CER C1005 CH 1H R75B-T	T	18.0/5.1
C200	4030017460	S.CER C1005 JB 1H 102K-T	T	12.4/8.3
C201	4030017400	S.CER C1005 CH 1H 220J-T	T	13.6/9.5
C202	4030017460	S.CER C1005 JB 1H 102K-T	T	8.4/11.3
C203	4030017460	S.CER C1005 JB 1H 102K-T	T	6.6/6.4
C204	4030017460	S.CER C1005 JB 1H 102K-T	T	9.0/8.6
C205	4030017460	S.CER C1005 JB 1H 102K-T	T	3.8/7.0
C206	4030017460	S.CER C1005 JB 1H 102K-T	T	6.4/9.5
C207	4030017650	S.CER C1005 CH 1H 270J-T	T	8.7/10.4
C208	4030017460	S.CER C1005 JB 1H 102K-T	T	3.0/10.5
C209	4030017570	S.CER C1005 CH 1H 040B-T	T	3.9/14.0
C210	4030017570	S.CER C1005 CH 1H 040B-T	T	3.0/14.0
C211	4030017350	S.CER C1005 CH 1H 020B-T	T	3.4/12.8
C214	4030017460	S.CER C1005 JB 1H 102K-T	T	6.0/1.5
C341	4030016930	S.CER C1005 JB 1A 104K-T	T	5.4/15.4
C345	4030017460	S.CER C1005 JB 1H 102K-T	T	6.6/16.1
C349	4030017460	S.CER C1005 JB 1H 102K-T	T	10.2/16.0
C350	4030017460	S.CER C1005 JB 1H 102K-T	T	4.8/12.9
C356	4030017520	S.CER C1005 CH 1H 0R3B-T	T	9.3/15.0
C361	4030019990	S.CER C1005 JB 1C 104K-T	T	12.2/10.9
C366	4030016930	S.CER C1005 JB 1A 104K-T	T	14.0/11.8
C368	4030007040	S.CER C1608 CH 1H 180J-T	T	14.3/14.7

[VCO2 UNIT]

REF NO.	PARTS NO.	DESCRIPTION	M.	H/V LOCATION
C374	4030017460	S.CER C1005 JB 1H 102K-T	T	11.5/16.0
C375	4030007060	S.CER C1608 CH 1H 270J-T	T	17.0/13.5
C376	4030007080	S.CER C1608 CH 1H 390J-T	T	17.0/12.3
C386	4030017340	S.CER C1005 CH 1H 010B-T	T	18.0/10.7
C389	4030017460	S.CER C1005 JB 1H 102K-T	T	13.3/16.0
C390	4030017460	S.CER C1005 JB 1H 102K-T	T	5.7/12.9
C391	4030017460	S.CER C1005 JB 1H 102K-T	T	15.0/7.8
J1	6510029530	S.CON AXK6F12347YG	B	5.0/8.9

Eqv.= This component is equivalent to the REF No. component listed above, and may be substituted on parts orders and repairs.

M.=Mounted side (T: Mounted on the Top side, B: Mounted on the Bottom side)
S.=Surface mount

[LOGIC UNIT]

REF NO.	PARTS NO.	DESCRIPTION	M.	H/V LOCATION
IC2	1120003020	S.IC MAX3221IPWR	B	53.0/45.2
IC3	1140015870	S.IC M24M01-RMN6TP	B	6.4/32.5
IC4	1130015740	S.IC S-35390A-I8T1G *0	B	92.2/12.7
IC5	1140016250	S.IC R5F56107WNBG	B	49.2/12.6
IC7	1140015870	S.IC M24M01-RMN6TP	B	36.5/7.0
IC8	1130014260	S.IC SN74LVC2GU04DCKR	B	72.7/22.9
IC9	1180003990	S.REG XC6216D332PR-G	B	72.1/18.7
IC10	6910022370	S.DC TPS62400DRCR	B	83.7/9.0
IC11	1180003970	S.REG XC6221A332NR-G	B	26.3/7.3
IC12	1180003980	S.REG XC6221A332MR-G	B	74.6/29.8
IC13	1180003970	S.REG XC6221A332NR-G	T	78.5/7.2
IC16	1130009981	S.IC TC7W53FK(TE85LF)	B	23.8/41.3
IC17	1110008210	S.IC OPA356AIDBVR	B	29.4/18.1
IC18	1140016370	S.IC TMS320C5517AZCHA20	B	18.9/21.9
IC19	1190003520	S.IC ADS7866IDBVR	B	19.4/32.1
IC20	1130017800	S.IC EN25Q40A-104GIP <MSK>	B	13.9/41.4
IC21	1130015820	S.IC SN74AUP1T17DCKR	B	7.3/9.4
IC22	1110007820	S.IC S-80929CNPF-G8ZTFG *0	B	29.0/1.6
IC24	1110008040	S.IC S-80942CLPF-G7C-TFG *0	B	81.0/15.9
IC25	1110007920	S.IC SC-1445-E2	B	31.0/27.7
IC300	1110006470	S.IC LMV324IPWR	B	52.6/37.0
IC350	1110006740	S.IC LMV358IPWR	B	52.6/30.8
IC351	1130007021	S.IC TC7S66FU(TE85LF)	B	46.4/30.3
IC390	1130015760	S.IC TC74VHC4066AFK(EK)	B	42.9/33.2
Q7	1590004070	S.TRA LDTCL44EET1G <SLVJ>	B	60.5/17.7
Q8	1590004070	S.TRA LDTCL44EET1G <SLVJ>	T	5.7/11.4
Q9	1590004070	S.TRA LDTCL44EET1G <SLVJ>	T	5.7/9.4
Q11	1510001100	S.TRA 2SA1832-GR(TE85RF)	B	75.1/22.4
Q12	1530003990	S.TRA 2SC4738-BL(TE85LF)	B	68.7/37.5
Q13	1530004000	S.TRA 2SC4738-GR(TE85LF)	B	72.4/27.2
Q19	1590004050	S.TRA LDTA144EET1G <SLVJ>	B	35.9/14.9
Q20	1510001100	S.TRA 2SA1832-GR(TE85RF)	B	91.1/36.8
Q21	1590004100	S.TRA LDTCL44EET1G <SLVJ>	B	82.2/42.6
Q23	1560001730	S.FET RUE002N02 TL	B	30.3/46.4
Q24	1590004250	S.TRA DRC9143ZOL	B	25.0/47.3
Q25	1560001360	S.FET 2SK3019 TL	B	41.1/19.2
Q26	1590004070	S.TRA LDTCL44EET1G <SLVJ>	B	82.9/15.6
Q27	1590004050	S.TRA LDTA144EET1G <SLVJ>	B	78.2/16.8
Q29	1550000370	S.FET RSM002P0372L	B	75.7/16.6
Q300	1590004070	S.TRA LDTCL44EET1G <SLVJ>	B	46.7/41.7
Q301	1590004060	S.TRA LDTCL14EET1G <SLVJ>	B	47.3/33.5
Q302	1590004070	S.TRA LDTCL44EET1G <SLVJ>	B	49.8/41.7
Q330	1590004390	S.TRA DMG504010R	B	65.4/32.6
Q350	1590004060	S.TRA LDTCL14EET1G <SLVJ>	B	51.2/26.3
Q360	1590004610	S.TRA DMA561050R	B	64.1/21.1
Q370	1590004390	S.TRA DMG504010R	B	63.4/26.0
Q380	1590004070	S.TRA LDTCL44EET1G <SLVJ>	B	6.1/13.7
Q390	1590004070	S.TRA LDTCL44EET1G <SLVJ>	T	43.9/34.9
D1	1750001810	S.DIO L1SS400T1G <SLVJ>	T	50.6/33.4
D2	1750001810	S.DIO L1SS400T1G <SLVJ>	T	63.4/33.1
D3	1750001810	S.DIO L1SS400T1G <SLVJ>	T	65.2/18.7
D4	1750001810	S.DIO L1SS400T1G <SLVJ>	T	63.4/16.3
D5	1750001810	S.DIO L1SS400T1G <SLVJ> [EUR]	B	43.2/20.1
	1750001810	S.DIO L1SS400T1G <SLVJ> [UK]		
	1750001810	S.DIO L1SS400T1G <SLVJ> [USA]		
	1750001810	S.DIO L1SS400T1G <SLVJ> [KOR]		
	1750001810	S.DIO L1SS400T1G <SLVJ> [EXP]		
	1750001810	S.DIO L1SS400T1G <SLVJ> [EXP-01]		
	1750001810	S.DIO L1SS400T1G <SLVJ> [CHN]		
	1750001810	S.DIO L1SS400T1G <SLVJ> [EUR-01]		
	1750001810	S.DIO L1SS400T1G <SLVJ> [USA-01]		
	1750001810	S.DIO L1SS400T1G <SLVJ> [EUR-02]		
	1750001810	S.DIO L1SS400T1G <SLVJ> [USA-02]		
	1750001810	S.DIO L1SS400T1G <SLVJ> [EUR-03]		
	1750001810	S.DIO L1SS400T1G <SLVJ> [USA-03]		
	1750001810	S.DIO L1SS400T1G <SLVJ> [EUR-04]		
	1750001810	S.DIO L1SS400T1G <SLVJ> [USA-04]		
	1750001810	S.DIO L1SS400T1G <SLVJ> [EUR-05]		
	1750001810	S.DIO L1SS400T1G <SLVJ> [USA-05]		
D6	1750001810	S.DIO L1SS400T1G <SLVJ> [UK]	B	43.2/22.5
	1750001810	S.DIO L1SS400T1G <SLVJ> [ITR]		
	1750001810	S.DIO L1SS400T1G <SLVJ> [EXP-01]		
	1750001810	S.DIO L1SS400T1G <SLVJ> [UK-06]		
D7	1750001810	S.DIO L1SS400T1G <SLVJ> [EUR]	B	43.2/23.7
	1750001810	S.DIO L1SS400T1G <SLVJ> [ITR]		
	1750001810	S.DIO L1SS400T1G <SLVJ> [KOR]		
	1750001810	S.DIO L1SS400T1G <SLVJ> [EXP-01]		
	1750001810	S.DIO L1SS400T1G <SLVJ> [CHN]		
	1750001810	S.DIO L1SS400T1G <SLVJ> [EUR-01]		
	1750001810	S.DIO L1SS400T1G <SLVJ> [EUR-02]		
	1750001810	S.DIO L1SS400T1G <SLVJ> [EUR-03]		
	1750001810	S.DIO L1SS400T1G <SLVJ> [EUR-04]		
	1750001810	S.DIO L1SS400T1G <SLVJ> [EUR-05]		
	1750001810	S.DIO L1SS400T1G <SLVJ> [EUR-06]		
D8	1750001810	S.DIO L1SS400T1G <SLVJ> [EUR]	B	43.2/21.3
	1750001810	S.DIO L1SS400T1G <SLVJ> [ITR]		
	1750001810	S.DIO L1SS400T1G <SLVJ> [EXP]		
	1750001810	S.DIO L1SS400T1G <SLVJ> [CHN]		
	1750001810	S.DIO L1SS400T1G <SLVJ> [USA]		
	1750001810	S.DIO L1SS400T1G <SLVJ> [EUR-01]		
	1750001810	S.DIO L1SS400T1G <SLVJ> [EUR-02]		
	1750001810	S.DIO L1SS400T1G <SLVJ> [EUR-03]		
	1750001810	S.DIO L1SS400T1G <SLVJ> [EUR-04]		
	1750001810	S.DIO L1SS400T1G <SLVJ> [EUR-05]		
	1750001810	S.DIO L1SS400T1G <SLVJ> [EUR-06]		
	1750001810	S.DIO L1SS400T1G <SLVJ> [CHN-06]		
	1750001810	S.DIO L1SS400T1G <SLVJ> [EUR]		
	1750001810	S.DIO L1SS400T1G <SLVJ> [ITR]		
	1750001810	S.DIO L1SS400T1G <SLVJ> [EXP]		
	1750001810	S.DIO L1SS400T1G <SLVJ> [CHN]		
	1750001810	S.DIO L1SS400T1G <SLVJ> [USA]		
	1750001810	S.DIO L1SS400T1G <SLVJ> [EUR-01]		
	1750001810	S.DIO L1SS400T1G <SLVJ> [EUR-02]		
	1750001810	S.DIO L1SS400T1G <SLVJ> [EUR-03]		
	1750001810	S.DIO L1SS400T1G <SLVJ> [EUR-04]		
	1750001810	S.DIO L1SS400T1G <SLVJ> [EUR-05]		
	1750001810	S.DIO L1SS400T1G <SLVJ> [EUR-06]		
	1750001810	S.DIO L1SS400T1G <SLVJ> [CHN-06]		

Eqv.= This component is equivalent to the REF No. component listed above, and may be substituted on parts orders and repairs.

[LOGIC UNIT]

REF NO.	PARTS NO.	DESCRIPTION	M.	H/V LOCATION
D9	1750001810	S.DIO L1SS400T1G <SLVJ> [EUR]	T	63.4/17.9
	1750001810	S.DIO L1SS400T1G <SLVJ> [ITR]		
	1750001810	S.DIO L1SS400T1G <SLVJ> [KOR]		
	1750001810	S.DIO L1SS400T1G <SLVJ> [CHN]		
	1750001810	S.DIO L1SS400T1G <SLVJ> [EUR-01]		
	1750001810	S.DIO L1SS400T1G <SLVJ> [EUR-02]		
	1750001810	S.DIO L1SS400T1G <SLVJ> [EUR-03]		
	1750001810	S.DIO L1SS400T1G <SLVJ> [EUR-04]		
	1750001810	S.DIO L1SS400T1G <SLVJ> [EUR-05]		
	1750001810	S.DIO L1SS400T1G <SLVJ> [EUR-06]		
D10	1750001810	S.DIO L1SS400T1G <SLVJ> [EUR]	T	50.6/32.2
	1750001810	S.DIO L1SS400T1G <SLVJ> [UK]		
	1750001810	S.DIO L1SS400T1G <SLVJ> [ITR]		
	1750001810	S.DIO L1SS400T1G <SLVJ> [USA]		
	1750001810	S.DIO L1SS400T1G <SLVJ> [KOR]		
	1750001810	S.DIO L1SS400T1G <SLVJ> [EXP-01]		
	1750001810	S.DIO L1SS400T1G <SLVJ> [CHN]		
	1750001810	S.DIO L1SS400T1G <SLVJ> [USA]		
	1750001810	S.DIO L1SS400T1G <SLVJ> [EUR-01]		
	1750001810	S.DIO L1SS400T1G <SLVJ> [EUR-02]		
	1750001810	S.DIO L1SS400T1G <SLVJ> [USA-02]		
	1750001810	S.DIO L1SS400T1G <SLVJ> [EUR-03]		
	1750001810	S.DIO L1SS400T1G <SLVJ> [USA-03]		
	1750001810	S.DIO L1SS400T1G <SLVJ> [EUR-04]		
	1750001810	S.DIO L1SS400T1G <SLVJ> [USA-04]		
	1750001810	S.DIO L1SS400T1G <SLVJ> [EUR-05]		
	1750001810	S.DIO L1SS400T1G <SLVJ> [USA-05]		
	1750001810	S.DIO L1SS400T1G <SLVJ> [EUR-06]		
	1750001810	S.DIO L1SS400T1G <SLVJ> [UK-06]		
D11	1750001810	S.DIO L1SS400T1G <SLVJ> [EUR]	T	63.4/31.6
	1750001810	S.DIO L1SS400T1G <SLVJ> [UK]		
	1750001810	S.DIO L1SS400T1G <SLVJ> [ITR]		
	1750001810	S.DIO L1SS400T1G <SLVJ> [USA]		
	1750001810	S.DIO L1SS400T1G <SLVJ> [KOR]		
	1750001810	S.DIO L1SS400T1G <SLVJ> [EXP-01]		
	1750001810	S.DIO L1SS400T1G <SLVJ> [CHN]		
	1750001810	S.DIO L1SS400T1G <SLVJ> [USA]		
	1750001810	S.DIO L1SS400T1G <SLVJ> [EUR-01]		
	1750001810	S.DIO L1SS400T1G <SLVJ> [USA-01]		
	1750001810	S.DIO L1SS400T1G <SLVJ> [EUR-02]		
	1750001810	S.DIO L1SS400T1G <SLVJ> [USA-02]		
	1750001810	S.DIO L1SS400T1G <SLVJ> [EUR-03]		
	1750001810	S.DIO L1SS400T1G <SLVJ> [USA-03]		
	1750001810	S.DIO L1SS400T1G <SLVJ> [EUR-04]		
	1750001810	S.DIO L1SS400T1G <SLVJ> [USA-04]		
	1750001810	S.DIO L1SS400T1G <SLVJ> [EUR-05]		
	1750001810	S.DIO L1SS400T1G <SLVJ> [USA-05]		
	1750001810	S.DIO L1SS400T1G <SLVJ> [EUR-06]		
	1750001810	S.DIO L1SS400T1G <SLVJ> [UK-06]		
D12	1750001810	S.DIO L1SS400T1G <SLVJ> [USA-06]	T	50.5/17.6
	1750001810	S.DIO L1SS400T1G <SLVJ> [CHN-06]		
	1750001810	S.DIO L1SS400T1G <SLVJ> [USA-06]		
	1750001810	S.DIO L1SS400T1G <SLVJ> [CHN-06]		
	1750001810	S.DIO L1SS400T1G <SLVJ> [EUR-01]		
	1750001810	S.DIO L1SS400T1G <SLVJ> [USA-01]		
	1750001810	S.DIO L1SS400T1G <SLVJ> [EUR-02]		
	1750001810	S.DIO L1SS400T1G <SLVJ> [USA-02]		
	1750001810	S.DIO L1SS400T1G <SLVJ> [EUR-03]		
	1750001810	S.DIO L1SS400T1G <SLVJ> [USA-03]		
	1750001810	S.DIO L1SS400T1G <SLVJ> [EUR-04]		
	1750001810	S.DIO L1SS400T1G <SLVJ> [USA-04]		
	1750001810	S.DIO L1SS400T1G <SLVJ> [EUR-05]		
	1750001810	S.DIO L1SS400T1G <SLVJ> [USA-05]		
D13	1750002540	S.DIO LRB520G-30T1G <SLVJ>	B	51.9/23.7
D14	1750002540	S.DIO LRB520G-30T1G <SLVJ>	B	52.9/23.7
D15	1750002540	S.DIO LRB520G-30T1G <SLVJ>	B	56.1/22.1
D16	1750001810	S.DIO L1SS400T1G <SLVJ>	B	91.8/10.3
D17	1750002540	S.DIO LRB520G-30T1G <SLVJ>	B	55.0/24.0
D18	1750000771	S.VAR HVC376BTRF-E	B	57.5/8.2
D20	1750001810	S.DIO L1SS400T1G <SLVJ>	B	75.5/18.7
D21	1750001810	S.DIO L1SS400T1G <SLVJ>	B	74.0/25.9
D22	1750001970	S.ZEN DZ2J082MOL	B	61.3/39.5
D23	1750002020	S.DIO DA2S10100L	B	70.0/26.7
D24	1750001810	S.DIO L1SS400T1G <SLVJ>	B	59.8/39.1
D26	1750002540	S.DIO LRB520G-30T1G <SLVJ>	B	76.3/15.1
D31	1790001850	S.VAR VC040205X150WP	B	85.2/42.2
D33	1790001960	S.VAR VC060303A100RP	T	28.7/48.0
D34	1750002540	S.DIO LRB520G-30T1G <SLVJ>	B	39.4/19.3
D35	1750002540	S.DIO LRB520G-30T1G <SLVJ>	B	39.4/16.1
D40	1790001960	S.VAR VC060303A100RP	T	44.3/40.0
D180	1750001810	S.DIO L1SS400T1G <SLVJ>	B	29.5/36.5
D181	1750001810	S.DIO L1SS400T1G <SLVJ>	B	29.5/37.7

[LOGIC UNIT]

REF NO.	PARTS NO.	DESCRIPTION	M.	H/V LOCATION
R10	7030005240	S.RES ERJ2GGEJ 473 X (47K)	T	75.1/7.7
R11	7030005240	S.RES ERJ2GGEJ 473 X (47K)	T	75.3/5.6
R12	7030005240	S.RES ERJ2GGEJ 473 X (47K)	T	75.3/6.5
R13	7030005240	S.RES ERJ2GGEJ 473 X (47K)	T	75.3/3.7
R14	7030004980	S.RES ERJ2GGEJ 101 X (100)	B	61.1/45.0
R15	7030010040	S.RES ERJ2GGEJ-JPW	B	8.9/21.0
R16	7030005570	S.RES ERJ2GGEJ 820 X (82)	T	18.5/48.1
R17	7030009280	S.RES ERJ2GGEJ 391 X	T	43.9/9.7
R18	7030009160	S.RES ERJ2GGEJ 181 X (180)	B	28.5/47.7
R19	7030005570	S.RES ERJ2GGEJ 820 X (82)	T	30.4/48.2
R20	7030005090	S.RES ERJ2GGEJ 104 X (100K)	B	55.2/22.7
R21	7030004980	S.RES ERJ2GGEJ 101 X (100)	B	61.1/45.9
R22	7030005570	S.RES ERJ2GGEJ 820 X (82)	T	27.0/48.1
R23	7030009280	S.RES ERJ2GGEJ 391 X	T	43.9/8.8
R24	7030007270	S.RES ERJ2GGEJ 151 X (150)	B	26.7/48.1
R25	7030009280	S.RES ERJ2GGEJ 391 X	T	43.9/42.7
R26	7030005120	S.RES ERJ2GGEJ 102 X (1K)	B	59.6/23.8
R27	7030009280	S.RES ERJ2GGEJ 391 X	T	44.0/41.7
R28	7030005120	S.RES ERJ2GGEJ 102 X (1K)	B	54.3/22.7
R29	7030005090	S.RES ERJ2GGEJ 104 X (100K)	B	48.3/43.4
R30	7030005090	S.RES ERJ2GGEJ 104 X (100K)	B	48.3/44.3
R31	7030005120	S.RES ERJ2GGEJ 102 X (1K)	B	53.3/21.3
R32	7030005120	S.RES ERJ2GGEJ 102 X (1K)	B	63.5/17.9
R33	7030007290	S.RES ERJ2GGEJ 222 X (2.2K)	B	9.7/36.2
R34	7030007290	S.RES ERJ2GGEJ 222 X (2.2K)	B	8.6/36.2
R35	7030005240	S.RES ERJ2GGEJ 473 X (47K)	B	56.8/19.1
R36	7030005090	S.RES ERJ2GGEJ 104 X (100K)	B	48.2/22.9
R37	7030005120	S.RES ERJ2GGEJ 102 X (1K)	B	50.6/22.5
R38	7030005120	S.RES ERJ2GGEJ 102 X (1K)	B	46.1/23.0
R39	7030005120	S.RES ERJ2GGEJ 102 X (1K)	B	59.5/21.0
R40	7030005120	S.RES ERJ2GGEJ 102 X (1K)	T	43.9/22.5
R41	7030005120	S.RES ERJ2GGEJ 102 X (1K)	B	48.2/23.8
R42	7030005120	S.RES ERJ2GGEJ 102 X (1K)	B	47.7/20.4
R43	7030005120	S.RES ERJ2GGEJ 102 X (1K)	B	49.4/22.4
R44	7030005120	S.RES ERJ2GGEJ 102 X (1K)	B	50.2/20.4
R45	7030005240	S.RES ERJ2GGEJ 473 X (47K)	B	49.0/20.9
R46	7030005160	S.RES ERJ2GGEJ 105 X (1M)	B	46.5/20.9
R47	7030005050	S.RES ERJ2GGEJ 103 X (10K)	T	15.1/2.3
R48	7030005050	S.RES ERJ2GGEJ 103 X (10K)	T	29.2/1.9
R49	7030005050	S.RES ERJ2GGEJ 103 X (10K)	T	20.1/2.3
R50	7030005120	S.RES ERJ2GGEJ 102 X (1K)	B	51.5/21.3
R51	7030005050	S.RES ERJ2GGEJ 103 X (10K)	T	17.6/2.3
R52	7030005050	S.RES ERJ2GGEJ 103 X (10K)	T	12.5/2.3
R53	7030005050	S.RES ERJ2GGEJ 103 X (10K)	B	88.1/16.0
R54	7030005090	S.RES ERJ2GGEJ 104 X (100K)	B	63.1/16.7
R55	7030005050	S.RES ERJ2GGEJ 103 X (10K)	T	25.9/2.3
R56	7030005090	S.RES ERJ2GGEJ 104 X (100K)	T	88.2/8.6
R57	7030005050	S.RES ERJ2GGEJ 103 X (10K)	T	22.5/2.3
R58	7030005050	S.RES ERJ2GGEJ 103 X (10K)	T	28.2/1.9
R59	7030005040	S.RES ERJ2GGEJ 472 X (4.7K)	B	90.2/10.8
R60	7030005240	S.RES ERJ2GGEJ 473 X (47K)	B	90.1/12.1
R61	7030005240	S.RES ERJ2GGEJ 473 X (47K)	B	90.1/13.0
R62	7030005120	S.RES ERJ2GGEJ 102 X (1K)	B	88.1/15.1
R63	7030005120	S.RES ERJ2GGEJ 102 X (1K)	B	56.5/24.4
R64	7030005120	S.RES ERJ2GGEJ 102 X (1K)	B	55.7/25.9
R65	7030008260	S.RES RR0510P-393-D (39K)	B	58.5/18.2
R66	7030005090	S.RES ERJ2GGEJ 104 X (100K)	B	57.3/25.9
R67	7030005160	S.RES ERJ2GGEJ 105 X (1M)	B	60.5/23.0
R68	7030008410	S.RES ERJ2GGEJ 392 X (3.9K)	B	56.8/18.2
R69	7030005050	S.RES ERJ2GGEJ 103 X (10K)	B	29.0/2.9
R70	7510001770	S.THE NTCG10 4LH 473JT	T	43.9/24.3
R71	7030010080	S.RES ERJ2RHD 1003X (100K)	T	43.9/23.4
R72	7030007270	S.RES ERJ2GGEJ 151 X (150)	T	5.4/7.1
R73	7030007280	S.RES ERJ2GGEJ 331 X (330)	T	5.4/8.0
R74	7030005530	S.RES ERJ2GGEJ 100 X (10)	B	56.8/14.9
R75	7030005160	S.RES ERJ2GGEJ 105 X (1M)	B	56.5/13.0
R76	7030005090	S.RES ERJ2GGEJ 104 X (100K)	B	57.1/17.1
R77	7030008010	S.RES ERJ2GGEJ 123 X (12K)	B	56.0/4.7
R79	7030005240	S.RES ERJ2GGEJ 473 X (47K)	T	43.9/12.6
R80	7030005240	S.RES ERJ2GGEJ 473 X (47K)	B	41.6/13.8
R84	7030004980	S.RES ERJ2GGEJ 101 X (100)	B	53.8/1.5
R88	7030005090	S.RES ERJ2GGEJ 104 X (100K)	B	70.8/22.9
R90	7030005090	S.RES ERJ2GGEJ 104 X (100K)	B	69.0/22.9
R94	7030005240	S.RES ERJ2GGEJ 473 X (47K)	B	38.3/2.4
R95	7030005040	S.RES ERJ2GGEJ 472 X (4.7K)	B	38.3/3.3
R97	7030005240	S.RES ERJ2GGEJ 473 X (47K)	B	76.0/21.0
R98	7030005090	S.RES ERJ2GGEJ 104 X (100K)	B	70.8/35.6
R99	7030005120	S.RES ERJ2GGEJ 102 X (1K)	B	70.8/36.5
R100	7030005820	S.RES RR0510P-103-D (10K)	B	75.1/24.0
R101	7030011880	S.RES RR0510P-183-D (18K)	B	72.9/25.5
R102	7030005240	S.RES ERJ2GGEJ 473 X (47K)	B	67.0/37.7
R103	7030005050	S.RES ERJ2GGEJ 103 X (10K)	B	63.9/37.3
R104	7030008010	S.RES ERJ2GGEJ 123 X (12K)	B	72.0/25.5
R105	7030005120	S.RES ERJ2GGEJ 102 X (1K)	B	71.0/25.5
R107	7030010010	S.RES ERJ2RKF 334 X (330K)	B	59.8/41.2
R108	7030007610	S.RES RR0510P-683-D (68K)	B	58.4/41.5
R109	7030005230	S.RES ERJ2GGEJ 334 X (330K)	B	28.7/42.1
R111	7030005240	S.RES ERJ2GGEJ 473 X (47K)	B	27.5/45.1
R112	7030005040	S.RES ERJ2GGEJ 472 X (4.7K)	B	27.0/43.9
R113	7030005010	S.RES ERJ2GGEJ 681 X (680)	B	28.7/43.0
R114	7030011680	S.RES ERJ2RKF 2703 (270K)	B	85.1/11.8
R115	7030012270	S.RES ERJ2RKD 1203X (120K)	B	86.0/6.5
R116	7030012270	S.RES ERJ2RKD 1203X (120K)	B	85.5/5.3
R117	7030012270	S.RES ERJ2RKD 1203X (120K)	B	84.9/6.5
R118	7030005160	S.RES ERJ2GGEJ 105 X (1M)	B	25.4/43.4
R119	7030005050	S.RES ERJ2GGEJ 103 X (10K)	B	23.8/44.2
R120	7030005530	S.RES ERJ2GGEJ 100 X (10)	B	16.7/31.8
R121	7030010010	S.RES ERJ2RKF 334 X (330K)	B	86.4/11.5
R122	7030008310	S.RES ERJ2GGEJ 564 X (560K)	B	21.1/41.0
R124	7030005240	S.RES ERJ2GGEJ 473 X (47K)	B	41.9/28.9
R125	7030005120	S.RES ERJ2GGEJ 102 X (1K)	B	40.3/29.8
R126	7030005100	S.RES ERJ2GGEJ 154 X (150K)	B	40.3/28.9
R127	7030005240	S.RES ERJ2GGEJ 473 X (47K)	B	40.3/28.0
R128	7030004980	S.RES ERJ2GGEJ 101 X (100)	B	26.1/20.0
R130	7030007340	S.RES ERJ2GGEJ 153 X (15K)	B	20.5/38.4

[LOGIC UNIT]

REF NO.	PARTS NO.	DESCRIPTION	M.	H/V LOCATION
R131	7030005110	S.RES ERJ2GGEJ 224 X (220K)	B	21.7/36.8
R132	7030009160	S.RES ERJ2GGEJ 181 X (180)	B	25.7/33.0
R133	7030005080	S.RES ERJ2GGEJ 823 X (82K)	B	22.6/36.8
R134	7030007060	S.RES ERJ2GGEJ 684X (680K)	B	26.6/33.0
R135	7030007350	S.RES ERJ2GGEJ 393 X (39K)	B	23.5/36.8
R136	7030005070	S.RES ERJ2GGEJ 683 X (68K)	B	24.4/36.8
R137	7030007290	S.RES ERJ2GGEJ 222 X (2.2K)	B	45.1/28.0
R138	7030005080	S.RES ERJ2GGEJ 823 X (82K)	B	23.5/38.5
R139	7030007350	S.RES ERJ2GGEJ 393 X (39K)	B	22.1/43.3
R141	7030005220	S.RES ERJ2GGEJ 223 X (22K)	B	41.1/26.2
R142	7030008010	S.RES ERJ2GGEJ 123 X (12K)	B	41.1/27.1
R143	7030005050	S.RES ERJ2GGEJ 103 X (10K)	B	43.3/26.7
R144	7030005090	S.RES ERJ2GGEJ 104 X (100K)	B	39.8/33.6
R145	7030009290	S.RES ERJ2GGEJ 562 X (5.6K)	B	39.8/34.5
R146	7030010040	S.RES ERJ2GGEJ-JPW	B	48.3/28.1
R152	7030005120	S.RES ERJ2GGEJ 102 X (1K)	B	41.8/37.7
R156	7030010040	S.RES ERJ2GGEJ-JPW	B	22.9/9.4
R159	7030005030	S.RES ERJ2GGEJ 152 X (1.5K)	B	41.4/36.4
R161	7030005090	S.RES ERJ2GGEJ 104 X (100K)	B	21.4/27.9
R162	7030005120	S.RES ERJ2GGEJ 102 X (1K)	B	21.9/31.7
R163	7030005090	S.RES ERJ2GGEJ 104 X (100K)	B	21.9/32.6
R164	7030005090	S.RES ERJ2GGEJ 104 X (100K)	B	24.9/21.5
R165	7030005120	S.RES ERJ2GGEJ 102 X (1K)	B	12.9/23.3
R167	7030005090	S.RES ERJ2GGEJ 104 X (100K)	B	17.8/29.5
R168	7030010040	S.RES ERJ2GGEJ-JPW	B	14.6/15.8
R169	7030010040	S.RES ERJ2GGEJ-JPW	B	20.0/14.2
R172	7030005090	S.RES ERJ2GGEJ 104 X (100K)	B	17.3/15.8
R173	7030005090	S.RES ERJ2GGEJ 104 X (100K)	B	16.4/15.8
R174	7030005050	S.RES ERJ2GGEJ 103 X (10K)	B	32.5/33.6
R176	7030005090	S.RES ERJ2GGEJ 104 X (100K)	B	19.6/27.9
R178	7030005120	S.RES ERJ2GGEJ 102 X (1K)	B	12.9/25.4
R179	7030005240	S.RES ERJ2GGEJ 473 X (47K)	B	12.9/17.4
R181	7030005160	S.RES ERJ2GGEJ 105 X (1M)	B	30.9/39.8
R182	7030005120	S.RES ERJ2GGEJ 102 X (1K)	B	18.7/29.5
R183	7030005120	S.RES ERJ2GGEJ 102 X (1K)	B	20.5/25.9
R184	7030005100	S.RES ERJ2GGEJ 154 X (150K)	B	29.2/38.9
R185	7030005120	S.RES ERJ2GGEJ 102 X (1K)	B	26.3/36.8
R186	7030005050	S.RES ERJ2GGEJ 103 X (10K)	B	25.8/38.0
R187	7030010040	S.RES ERJ2GGEJ-JPW	B	20.0/15.8
R188	7030005090	S.RES ERJ2GGEJ 104 X (100K)	B	21.4/29.5
R189	7030004980	S.RES ERJ2GGEJ 101 X (100)	B	24.9/17.3
R190	7030007290	S.RES ERJ2GGEJ 222 X (2.2K)	B	30.4/42.4
R191	7030010040	S.RES ERJ2GGEJ-JPW	B	34.1/33.6
R192	7030007300	S.RES ERJ2GGEJ 332 X (3.3K)	B	27.2/15.9
R193	7030005000	S.RES ERJ2GGEJ 471 X (470)	B	31.6/16.1
R194	7030010040	S.RES ERJ2GGEJ-JPW	B	26.6/18.7
R195	7030005240	S.RES ERJ2GGEJ 473 X (47K)	B	31.6/18.5
R196	7030005240	S.RES ERJ2GGEJ 473 X (47K)	B	29.9/20.3
R197	7030007340	S.RES ERJ2GGEJ 153 X (15K)	B	35.9/32.0
R198	7030004990	S.RES ERJ2GGEJ 221 X (220)	B	30.9/43.6
R199	7030005090	S.RES ERJ2GGEJ 104 X (100K)	B	24.9/25.4
R200	7030005240	S.RES ERJ2GGEJ 473 X (47K)	B	34.0/19.8
R204	7030004970	S.RES ERJ2GGEJ 470 X (47)	B	28.1/15.6
R205	7030007340	S.RES ERJ2GGEJ 153 X (15K)	B	36.4/33.2
R206	7030005090	S.RES ERJ2GGEJ 104 X (100K)	B	24.9/26.3
R215	7030005090	S.RES ERJ2GGEJ 104 X (100K)	B	16.9/27.9
R217	7030005240	S.RES ERJ2GGEJ 473 X (47K)	B	10.4/41.5
R219	7030005240	S.RES ERJ2GGEJ 473 X (47K)	B	34.4/15.3
R221	7030005090	S.RES ERJ2GGEJ 104 X (100K)	B	15.1/27.9
R222	7030005240	S.RES ERJ2GGEJ 473 X (47K)	B	10.4/40.0
R224	7030005240	S.RES ERJ2GGEJ 473 X (47K)	B	13.4/36.8
R225	7030005040	S.RES ERJ2GGEJ 472 X (4.7K)	B	14.2/27.9
R226	7030005120	S.RES ERJ2GGEJ 102 X (1K)	B	32.3/13.8
R227	7030007300	S.RES ERJ2GGEJ 332 X (3.3K)	B	86.9/42.2
R228	7030007290	S.RES ERJ2GGEJ 222 X (2.2K)	B	90.1/38.9
R229	7030005240	S.RES ERJ2GGEJ 473 X (47K)	B	14.3/36.8
R230	7030005040	S.RES ERJ2GGEJ 472 X (4.7K)	B	13.3/27.9
R231	7030005120	S.RES ERJ2GGEJ 102 X (1K)	B	12.9/22.0
R232	7030005050	S.RES ERJ2GGEJ 103 X (10K)	B	91.3/38.4
R233	7030005120	S.RES ERJ2GGEJ 102 X (1K)	B	12.9/21.1
R234	7030005110	S.RES ERJ2GGEJ 224 X (220K)	B	92.1/34.9
R235	7030005050	S.RES ERJ2GGEJ 103 X (10K)	B	12.9/22.9
R236	7030005090	S.RES ERJ2GGEJ 104 X (100K)	B	16.0/27.9
R237	7030010040	S.RES ERJ2GGEJ-JPW	B	86.9/44.0
R238	7030005090	S.RES ERJ2GGEJ 104 X		

[LOGIC UNIT]

REF NO.	PARTS NO.	DESCRIPTION	M.	H/V LOCATION
R281	7030003860	S.RES ERJ3GE JPW V	B	77.9/12.3
R284	7030005050	S.RES ERJ2GEJ 103 X (10K)	B	31.2/7.5
R285	7030005160	S.RES ERJ2GEJ 105 X (1M)	B	77.9/18.8
R300	7030008010	S.RES ERJ2GEJ 123 X (12K)	B	42.7/37.1
R303	7030005600	S.RES ERJ2GEJ 273 X (27K)	B	45.6/35.4
R304	7030005050	S.RES ERJ2GEJ 103 X (10K)	B	57.3/37.3
R305	7030005240	S.RES ERJ2GEJ 473 X (47K)	B	57.3/38.2
R306	7030005110	S.RES ERJ2GEJ 224 X (220K)	B	46.9/36.8
R307	7030005100	S.RES ERJ2GEJ 154 X (150K)	B	56.9/39.6
R308	7030005050	S.RES ERJ2GEJ 103 X (10K)	B	49.6/40.2
R309	7030012220	S.RES ERJ2GEJ 185 X (1.8M)	B	48.3/35.4
R310	7030004970	S.RES ERJ2GEJ 470 X (47K)	B	57.3/36.3
R311	7030005220	S.RES ERJ2GEJ 223 X (22K)	B	50.4/33.4
R312	7030005050	S.RES ERJ2GEJ 103 X (10K)	B	45.8/40.7
R313	7030005220	S.RES ERJ2GEJ 223 X (22K)	B	51.8/33.4
R314	7030005050	S.RES ERJ2GEJ 103 X (10K)	B	54.6/40.2
R315	7030005170	S.RES ERJ2GEJ 474 X (470K)	B	48.3/38.8
R316	7030005600	S.RES ERJ2GEJ 273 X (27K)	B	54.9/33.4
R317	7030005090	S.RES ERJ2GEJ 104 X (100K)	B	51.7/40.6
R318	7030005120	S.RES ERJ2GEJ 102 X (1K)	B	46.9/39.1
R319	7030005050	S.RES ERJ2GEJ 103 X (10K)	B	46.9/38.2
R320	7030007300	S.RES ERJ2GEJ 332 X (3.3K)	B	58.0/33.0
R330	7030005070	S.RES ERJ2GEJ 683 X (68K)	B	64.6/36.0
R331	7030005070	S.RES ERJ2GEJ 683 X (68K)	B	55.3/36.0
R332	7030005070	S.RES ERJ2GEJ 683 X (68K)	B	67.3/36.0
R333	7030005160	S.RES ERJ2GEJ 105 X (1M)	B	63.3/34.6
R334	7030008410	S.RES ERJ2GEJ 392 X (3.9K)	B	66.3/30.6
R335	7030005050	S.RES ERJ2GEJ 103 X (10K)	B	67.6/31.8
R336	7030005060	S.RES ERJ2GEJ 333 X (33K)	B	59.0/36.9
R337	7030005090	S.RES ERJ2GEJ 104 X (100K)	B	68.1/30.6
R338	7030005060	S.RES ERJ2GEJ 333 X (33K)	B	67.6/34.5
R339	7030005050	S.RES ERJ2GEJ 103 X (10K)	B	60.6/36.6
R340	7030007280	S.RES ERJ2GEJ 331 X (330)	B	63.1/32.1
R341	7030005110	S.RES ERJ2GEJ 224 X (220K)	B	65.4/30.6
R342	7030008400	S.RES ERJ2GEJ 182 X (1.8K)	B	67.2/30.6
R343	7030005090	S.RES ERJ2GEJ 104 X (100K)	B	61.3/33.0
R350	7030005090	S.RES ERJ2GEJ 104 X (100K)	B	61.8/30.2
R353	7030008010	S.RES ERJ2GEJ 123 X (12K)	B	60.6/29.9
R354	7030005600	S.RES ERJ2GEJ 273 X (27K)	B	59.7/29.9
R355	7030012220	S.RES ERJ2GEJ 185 X (1.8M)	B	57.0/31.6
R356	7030005090	S.RES ERJ2GEJ 104 X (100K)	B	57.0/29.9
R357	7030005090	S.RES ERJ2GEJ 104 X (100K)	B	58.8/29.9
R358	7030005220	S.RES ERJ2GEJ 223 X (22K)	B	52.8/28.1
R359	7030005220	S.RES ERJ2GEJ 223 X (22K)	B	51.9/28.1
R360	7030005600	S.RES ERJ2GEJ 273 X (27K)	B	50.1/28.1
R361	7030007300	S.RES ERJ2GEJ 332 X (3.3K)	B	47.4/28.1
R370	7030005070	S.RES ERJ2GEJ 683 X (68K)	B	65.3/28.5
R371	7030005070	S.RES ERJ2GEJ 683 X (68K)	B	65.7/27.1
R372	7030005070	S.RES ERJ2GEJ 683 X (68K)	B	65.7/25.3
R373	7030005160	S.RES ERJ2GEJ 105 X (1M)	B	66.5/28.9
R374	7030008410	S.RES ERJ2GEJ 392 X (3.9K)	B	63.2/24.2
R375	7030005050	S.RES ERJ2GEJ 103 X (10K)	B	64.5/23.8
R376	7030005090	S.RES ERJ2GEJ 104 X (100K)	B	63.2/23.3
R377	7030005060	S.RES ERJ2GEJ 333 X (33K)	B	63.9/28.9
R378	7030007280	S.RES ERJ2GEJ 331 X (330)	B	60.3/25.2
R379	7030005110	S.RES ERJ2GEJ 224 X (220K)	B	61.5/25.4
R380	7030008400	S.RES ERJ2GEJ 182 X (1.8K)	B	61.5/28.4
R381	7030005090	S.RES ERJ2GEJ 104 X (100K)	B	60.3/26.1
R382	7030005050	S.RES ERJ2GEJ 103 X (10K)	B	61.8/29.3
R383	7030005090	S.RES ERJ2GEJ 104 X (100K)	B	58.9/28.2
R390	7030005090	S.RES ERJ2GEJ 104 X (100K)	B	61.8/34.3
R391	7030005090	S.RES ERJ2GEJ 104 X (100K)	T	43.9/36.7
R392	7030004980	S.RES ERJ2GEJ 101 X (100)	B	43.5/28.9
R393	7030008410	S.RES ERJ2GEJ 392 X (3.9K)	B	36.3/28.4
R394	7030005050	S.RES ERJ2GEJ 103 X (10K)	B	36.3/30.9
R395	7030005570	S.RES ERJ2GEJ 820 X (82)	T	43.9/30.4
R396	7030005570	S.RES ERJ2GEJ 820 X (82)	T	43.9/29.5
R397	7030005570	S.RES ERJ2GEJ 820 X (82)	T	43.9/18.2
R398	7030005570	S.RES ERJ2GEJ 820 X (82)	T	43.9/19.2
R399	7030004980	S.RES ERJ2GEJ 101 X (100)	B	27.3/46.9
R400	7030005240	S.RES ERJ2GEJ 473 X (47K)	B	48.1/5.1
R401	7030005090	S.RES ERJ2GEJ 104 X (100K)	B	63.7/19.2
R402	7030005090	S.RES ERJ2GEJ 104 X (100K)	B	65.3/19.2
R403	7030005090	S.RES ERJ2GEJ 104 X (100K)	B	75.4/27.6
R404	7030005090	S.RES ERJ2GEJ 104 X (100K)	B	71.2/31.0
R405	7030005090	S.RES ERJ2GEJ 104 X (100K)	B	41.6/11.0
R406	7030005090	S.RES ERJ2GEJ 104 X (100K)	B	41.6/11.9
R407	7030005090	S.RES ERJ2GEJ 104 X (100K)	B	41.6/12.8
R408	7030005090	S.RES ERJ2GEJ 104 X (100K)	B	41.6/15.9
R409	7030005090	S.RES ERJ2GEJ 104 X (100K)	B	46.1/5.1
R410	7030005090	S.RES ERJ2GEJ 104 X (100K)	B	41.6/14.7
R411	7030005090	S.RES ERJ2GEJ 104 X (100K)	B	47.1/5.1
R412	7030005090	S.RES ERJ2GEJ 104 X (100K)	B	45.2/20.4
R413	7030005090	S.RES ERJ2GEJ 104 X (100K)	B	26.6/31.3
R416	7030005950	S.RES RR0510P-123-D (12K)	B	86.4/12.4
R417	7030005240	S.RES ERJ2GEJ 473 X (47K)	B	30.0/48.1
R418	7030005240	S.RES ERJ2GEJ 473 X (47K)	B	21.6/39.8
R419	7030010040	S.RES ERJ2GEJ-JPW	B	48.3/45.2
C3	4550008370	S.TAN TMCJ1C105MTRF	B	6.6/15.9
C4	4550008370	S.TAN TMCJ1C105MTRF	B	4.1/19.7
C5	4550008370	S.TAN TMCJ1C105MTRF	B	3.8/17.1
C6	4030017440	S.CER C1005 CH 1H 221J-T	B	7.6/16.5
C7	4030017620	S.CER C1005 CH 1H 100C-T	B	60.6/42.9
C11	4550008370	S.TAN TMCJ1C105MTRF	B	6.6/18.7
C13	4030017440	S.CER C1005 CH 1H 221J-T	B	6.5/6.0
C15	4030017440	S.CER C1005 CH 1H 221J-T	B	3.3/29.2
C17	4030017440	S.CER C1005 CH 1H 221J-T	B	5.3/7.3
C18	4030011810	S.CER C1608 JB 1A 224K-T	B	57.8/46.5
C19	4030011810	S.CER C1608 JB 1A 224K-T	B	59.0/46.5
C20	4030011810	S.CER C1608 JB 1A 224K-T	B	58.4/44.3
C21	4030011810	S.CER C1608 JB 1A 224K-T	B	58.4/43.1
C22	4030017620	S.CER C1005 CH 1H 100C-T	B	61.5/48.0
C23	4030017460	S.CER C1005 JB 1H 102K-T	T	75.4/42.2

Eqv.= This component is equivalent to the REF No. component listed above, and may be substituted on parts orders and repairs.

[LOGIC UNIT]

REF NO.	PARTS NO.	DESCRIPTION	M.	H/V LOCATION
C27	4030017460	S.CER C1005 JB 1H 102K-T	T	44.0/6.8
C28	4030019120	S.CER GRM188B31E105KA75D	T	12.8/47.9
C29	4030017400	S.CER C1005 CH 1H 220J-T	T	65.2/33.2
C31	4030017760	S.CER C1005 JB 1H 222K-T	B	59.1/29.2
C33	4030017460	S.CER C1005 JB 1H 102K-T	B	9.2/32.6
C35	4030017780	S.CER C1005 JB 1H 472K-T	B	54.6/21.4
C37	4030017730	S.CER C1005 JB 1H 471K-T	B	57.0/4.7
C38	4030017460	S.CER C1005 JB 1H 102K-T	B	9.5/42.9
C39	4030016790	S.CER C1005 JB 1E 103K-T	B	57.9/4.7
C40	4030017460	S.CER C1005 JB 1H 102K-T	B	8.5/28.9
C41	4030017460	S.CER C1005 JB 1H 102K-T	B	9.2/38.3
C43	4030016930	S.CER C1005 JB 1A 104K-T	B	48.8/47.0
C44	4030017460	S.CER C1005 JB 1H 102K-T	B	9.5/43.8
C45	4030020450	S.CER C1005 JB 0J 475M-T	B	9.4/29.1
C46	4030017780	S.CER C1005 JB 1H 472K-T	B	53.7/20.0
C47	4030017780	S.CER C1005 JB 1H 472K-T	B	62.6/17.9
C48	4030016930	S.CER C1005 JB 1A 104K-T	B	31.0/48.1
C49	4030016790	S.CER C1005 JB 1E 103K-T	B	9.0/37.4
C51	4030017780	S.CER C1005 JB 1H 472K-T	T	43.9/21.6
C52	4030017760	S.CER C1005 JB 1H 222K-T	B	46.5/20.0
C53	4030017780	S.CER C1005 JB 1H 472K-T	B	49.4/24.2
C55	4030017730	S.CER C1005 JB 1H 471K-T	B	86.3/15.5
C56	4030017780	S.CER C1005 JB 1H 472K-T	B	49.0/20.0
C58	4030017780	S.CER C1005 JB 1H 472K-T	B	45.7/21.8
C59	4030017780	S.CER C1005 JB 1H 472K-T	B	48.2/21.9
C61	4030017780	S.CER C1005 JB 1H 472K-T	B	50.6/23.4
C62	4030017780	S.CER C1005 JB 1H 472K-T	B	59.5/20.0
C64	4030017460	S.CER C1005 JB 1H 102K-T	B	55.4/20.9
C65	4030016930	S.CER C1005 JB 1A 104K-T	T	21.3/1.9
C67	4030017610	S.CER C1005 CH 1H 090C-T	B	94.0/13.5
C69	4030016930	S.CER C1005 JB 1A 104K-T	B	41.6/8.7
C72	4030017780	S.CER C1005 JB 1H 472K-T	B	54.8/25.0
C74	4030017780	S.CER C1005 JB 1H 472K-T	B	57.4/24.4
C76	4030018860	S.CER C1005 JB 0J 105K-T	B	94.0/10.8
C77	4030017460	S.CER C1005 JB 1H 102K-T	B	30.7/1.3
C78	4030018920	S.CER C1005 JB 1H 392K-T	B	59.5/19.1
C79	4030016790	S.CER C1005 JB 1E 103K-T	B	27.4/1.3
C80	4030017040	S.CER C1005 JB 1A 333K-T	B	58.0/19.5
C81	4030016930	S.CER C1005 JB 1A 104K-T	B	57.9/16.4
C83	4030017390	S.CER C1005 CH 1H 180J-T	B	58.4/15.2
C84	4030017730	S.CER C1005 JB 1H 471K-T	B	56.9/3.0
C85	4030016790	S.CER C1005 JB 1E 103K-T	B	56.0/3.0
C87	4030016790	S.CER C1005 JB 1E 103K-T	B	57.1/9.2
C88	4030016790	S.CER C1005 JB 1E 103K-T	B	58.5/9.6
C89	4030017460	S.CER C1005 JB 1H 102K-T	T	6.1/12.9
C90	4030017460	S.CER C1005 JB 1H 102K-T	T	6.6/7.5
C91	4030016930	S.CER C1005 JB 1A 104K-T	B	52.2/5.1
C94	4030016790	S.CER C1005 JB 1E 103K-T	B	40.0/3.3
C95	4030016930	S.CER C1005 JB 1A 104K-T	B	69.9/22.9
C96	4030017460	S.CER C1005 JB 1H 102K-T	B	71.2/37.7
C97	4030017460	S.CER C1005 JB 1H 102K-T	B	70.3/37.7
C98	4030019120	S.CER GRM188B31E105KA75D	B	76.7/18.7
C99	4030018860	S.CER C1005 JB 0J 105K-T	B	65.7/17.2
C100	4030017460	S.CER C1005 JB 1H 102K-T	B	66.1/37.7
C101	4550007520	S.TAN F931A106MAABMA	B	68.2/18.8
C102	4030017460	S.CER C1005 JB 1H 102K-T	B	58.4/40.6
C103	4030016930	S.CER C1005 JB 1A 104K-T	B	28.7/43.9
C104	4030019560	S.CER GRM21BB31C106KE15L	B	88.0/10.6
C105	4030017770	S.CER C1005 JB 1H 332K-T	B	26.6/45.1
C106	4030019460	S.CER C1608 JB 0J 106M-T	B	77.5/7.7
C107	4030016930	S.CER C1005 JB 1A 104K-T	B	27.0/43.0
C108	4030019120	S.CER GRM188B31E105KA75D	B	29.8/3.7
C109	4030018860	S.CER C1005 JB 0J 105K-T	B	21.1/42.6
C110	4030017660	S.CER C1005 CH 1H 330J-T	B	86.4/10.6
C111	4030019560	S.CER GRM21BB31C106KE15L	B	82.8/6.1
C113	4030018140	S.CER C1005 JB 1H 391K-T	B	41.9/28.0
C114	4030017460	S.CER C1005 JB 1H 102K-T	B	28.5/22.0
C115	4030016930	S.CER C1005 JB 1A 104K-T	B	27.9/20.8
C116	4030019120	S.CER GRM188B31E105KA75D	B	24.4/7.6
C117	4030016930	S.CER C1005 JB 1A 104K-T	B	39.8/32.7
C118	4030017420	S.CER C1005 CH 1H 470J-T	B	32.0/22.8
C120	4030019560	S.CER GRM21BB31C106KE15L	B	82.8/12.0
C121	4030018860	S.CER C1005 JB 0J 105K-T	B	36.0/23.0
C122	4030019460	S.CER C1608 JB 0J 106M-T	B	77.5/10.5
C124	4030016780	S.CER C1005 JB 1E 153K-T	B</	

[LOGIC UNIT]

REF NO.	PARTS NO.	DESCRIPTION	M.	H/V LOCATION
C168	4030016930	S.CER C1005 JB 1A 104K-T	B	24.9/18.2
C169	4030017420	S.CER C1005 CH 1H 470J-T	B	27.0/20.0
C171	4030017460	S.CER C1005 JB 1H 102K-T	B	23.6/43.0
C173	4030018860	S.CER C1005 JB 0J 105K-T	B	27.4/36.8
C174	4030018080	S.CER C1005 JB 1H 182K-T	B	25.4/39.2
C176	4030016930	S.CER C1005 JB 1A 104K-T	B	30.9/38.9
C177	4030016790	S.CER C1005 JB 1E 103K-T	B	26.3/39.2
C178	4030018100	S.CER C1005 JB 1H 681K-T	B	39.9/26.7
C180	4030018860	S.CER C1005 JB 0J 105K-T	B	31.3/37.3
C181	4030016930	S.CER C1005 JB 1A 104K-T	B	32.5/16.1
C182	4030018860	S.CER C1005 JB 0J 105K-T	B	36.3/29.3
C183	4030016930	S.CER C1005 JB 1A 104K-T	B	32.0/19.7
C184	4030018860	S.CER C1005 JB 0J 105K-T	B	34.6/32.4
C186	4030017460	S.CER C1005 JB 1H 102K-T	B	32.0/17.3
C187	4030017620	S.CER C1005 CH 1H 100C-T	B	32.5/18.5
C188	4030016930	S.CER C1005 JB 1A 104K-T	B	35.5/33.2
C190	4030016960	S.CER C1005 JB 1E 183K-T	B	32.8/32.7
C191	4030016790	S.CER C1005 JB 1E 103K-T	B	29.3/14.2
C195	4030017420	S.CER C1005 CH 1H 470J-T	B	30.2/14.2
C196	4030018860	S.CER C1005 JB 0J 105K-T	B	31.4/42.4
C197	4030016930	S.CER C1005 JB 1A 104K-T	B	33.5/15.3
C198	4030016930	S.CER C1005 JB 1A 104K-T	B	36.0/19.8
C199	4030016930	S.CER C1005 JB 1A 104K-T	B	31.1/14.2
C200	4030018860	S.CER C1005 JB 0J 105K-T	B	25.4/36.8
C201	4030018860	S.CER C1005 JB 0J 105K-T	B	86.4/45.3
C202	4030018860	S.CER C1005 JB 0J 105K-T	B	87.3/45.3
C203	4030017460	S.CER C1005 JB 1H 102K-T	B	88.2/44.4
C204	4030016950	S.CER C1005 JB 1A 473K-T	B	91.2/34.9
C205	4030016930	S.CER C1005 JB 1A 104K-T	B	17.2/43.6
C206	4550008160	S.TAN F931A226MAA	B	93.4/37.7
C208	4030016930	S.CER C1005 JB 1A 104K-T	B	26.4/46.9
C209	4030017460	S.CER C1005 JB 1H 102K-T	B	28.0/13.8
C210	4030017460	S.CER C1005 JB 1H 102K-T	B	14.7/30.6
C211	4030016930	S.CER C1005 JB 1A 104K-T	B	5.7/11.1
C212	4030017460	S.CER C1005 JB 1H 102K-T	B	39.8/14.5
C213	4030017460	S.CER C1005 JB 1H 102K-T	B	41.6/17.7
C214	4030018860	S.CER C1005 JB 0J 105K-T	B	26.5/1.3
C215	4030018860	S.CER C1005 JB 0J 105K-T	B	16.2/33.0
C216	4030016930	S.CER C1005 JB 1A 104K-T	B	17.1/33.0
C217	4030017780	S.CER C1005 JB 1H 472K-T	B	56.5/16.9
C218	4030017400	S.CER C1005 CH 1H 220J-T	B	16.7/30.8
C219	4030017400	S.CER C1005 CH 1H 220J-T	B	19.6/29.5
C220	4030017400	S.CER C1005 CH 1H 220J-T	B	21.9/30.8
C221	4030017400	S.CER C1005 CH 1H 220J-T	B	21.9/33.5
C222	4030017400	S.CER C1005 CH 1H 220J-T	B	16.9/29.5
C223	4030017400	S.CER C1005 CH 1H 220J-T	B	22.3/29.5
C300	4030017780	S.CER C1005 JB 1H 472K-T	B	45.6/37.2
C301	4030017460	S.CER C1005 JB 1H 102K-T	B	43.6/38.7
C302	4030017460	S.CER C1005 JB 1H 102K-T	B	45.1/41.8
C303	4030018860	S.CER C1005 JB 0J 105K-T	B	44.5/38.7
C304	4030018860	S.CER C1005 JB 0J 105K-T	B	53.0/33.4
C305	4030016930	S.CER C1005 JB 1A 104K-T	B	52.9/40.2
C306	4030018920	S.CER C1005 JB 1H 392K-T	B	46.9/35.9
C307	4030017910	S.CER C1005 JB 1H 152K-T	B	46.9/35.0
C308	4030017460	S.CER C1005 JB 1H 102K-T	B	48.3/41.8
C309	4030017460	S.CER C1005 JB 1H 102K-T	B	45.6/33.5
C310	4030018090	S.CER C1005 JB 1E 822K-T	B	49.4/33.4
C311	4030016940	S.CER C1005 JB 1A 393K-T	B	52.9/41.7
C312	4030017460	S.CER C1005 JB 1H 102K-T	B	57.7/35.1
C313	4030017790	S.CER C1005 JB 1H 682K-T	B	55.9/33.4
C314	4030018080	S.CER C1005 JB 1H 182K-T	B	54.1/41.5
C315	4030018860	S.CER C1005 JB 0J 105K-T	B	56.8/33.4
C316	4030017910	S.CER C1005 JB 1H 152K-T	B	54.0/33.4
C317	4030016790	S.CER C1005 JB 1E 103K-T	B	58.8/33.9
C330	4030016970	S.CER C1005 JB 1E 223K-T	B	66.4/36.0
C331	4030017790	S.CER C1005 JB 1H 682K-T	B	63.3/36.4
C332	4030016930	S.CER C1005 JB 1A 104K-T	B	63.3/35.5
C333	4030017760	S.CER C1005 JB 1H 222K-T	B	67.6/32.7
C334	4030018820	S.CER C1005 JB 1H 561K-T	B	58.7/35.7
C335	4030016790	S.CER C1005 JB 1E 103K-T	B	64.1/30.8
C336	4030017040	S.CER C1005 JB 1A 333K-T	B	69.3/31.0
C337	4030018080	S.CER C1005 JB 1H 182K-T	B	60.0/35.4
C338	4030019460	S.CER C1608 JB 0J 106M-T	B	65.5/34.5
C340	4030021250	S.CER C1005 JB 1A 334K-T	B	61.8/36.1
C350	4030016940	S.CER C1005 JB 1A 393K-T	B	61.8/31.1
C351	4030017780	S.CER C1005 JB 1H 472K-T	B	60.2/31.1
C352	4030017910	S.CER C1005 JB 1H 152K-T	B	58.4/32.0
C353	4030016930	S.CER C1005 JB 1A 104K-T	B	57.9/29.9
C354	4030018920	S.CER C1005 JB 1H 392K-T	B	58.4/31.1
C355	4030017460	S.CER C1005 JB 1H 102K-T	B	49.6/26.3
C356	4030018090	S.CER C1005 JB 1E 822K-T	B	52.8/26.3
C357	4030017790	S.CER C1005 JB 1H 682K-T	B	51.0/28.1
C358	4030016930	S.CER C1005 JB 1A 104K-T	B	53.8/28.1
C359	4030018860	S.CER C1005 JB 0J 105K-T	B	44.6/27.1
C360	4030017910	S.CER C1005 JB 1H 152K-T	B	49.2/28.1
C361	4030017570	S.CER C1005 CH 1H 040B-T	B	62.4/19.7
C362	4030017570	S.CER C1005 CH 1H 040B-T	B	65.8/20.5
C363	4030017460	S.CER C1005 JB 1H 102K-T	B	62.3/22.2
C364	4030017460	S.CER C1005 JB 1H 102K-T	B	66.5/22.0
C365	4030017570	S.CER C1005 CH 1H 040B-T	B	60.4/27.4
C366	4030017460	S.CER C1005 JB 1H 102K-T	B	46.0/32.1
C367	4030018860	S.CER C1005 JB 0J 105K-T	B	48.3/31.7
C370	4030016970	S.CER C1005 JB 1E 223K-T	B	65.7/26.2
C371	4030017790	S.CER C1005 JB 1H 682K-T	B	66.5/28.0
C372	4030016930	S.CER C1005 JB 1A 104K-T	B	63.9/29.8
C373	4030017760	S.CER C1005 JB 1H 222K-T	B	65.7/24.4
C374	4030016790	S.CER C1005 JB 1E 103K-T	B	61.1/24.2
C375	4030017040	S.CER C1005 JB 1A 333K-T	B	65.7/23.3
C376	4030019460	S.CER C1608 JB 0J 106M-T	B	63.6/27.9
C377	4030017760	S.CER C1005 JB 1H 222K-T	B	61.4/23.0
C378	4030017770	S.CER C1005 JB 1H 332K-T	B	58.9/27.3
C379	4030017720	S.CER C1005 JB 1H 331K-T	B	57.7/27.7
C390	4030016940	S.CER C1005 JB 1A 393K-T	B	60.9/34.3
C391	4030017460	S.CER C1005 JB 1H 102K-T	B	43.6/37.1
C392	4030017460	S.CER C1005 JB 1H 102K-T	B	44.5/37.1

Eqv.= This component is equivalent to the REF No. component listed above, and may be substituted on parts orders and repairs.

[LOGIC UNIT]

REF NO.	PARTS NO.	DESCRIPTION	M.	H/V LOCATION
C393	4030017460	S.CER C1005 JB 1H 102K-T	T	43.4/32.8
C394	4030017460	S.CER C1005 JB 1H 102K-T	T	43.9/37.6
C395	4030017460	S.CER C1005 JB 1H 102K-T	B	39.8/31.8
C396	4030019120	S.CER GRM188B31E105KA75D	B	77.0/30.1
C397	4030019120	S.CER GRM188B31E105KA75D	B	72.2/29.8
C398	4030019120	S.CER GRM188B31E105KA75D	T	78.4/3.5
C399	4030019120	S.CER GRM188B31E105KA75D	T	78.3/9.1
C400	4030016790	S.CER C1005 JB 1E 103K-T	B	46.5/28.1
C502	4030017550	S.CER C1005 CH 1H 1R5B-T	B	89.7/15.4
C503	4030019460	S.CER C1608 JB 0J 106M-T	T	43.9/14.4
C504	4030019460	S.CER C1608 JB 0J 106M-T	B	64.6/17.5
C505	4030019460	S.CER C1608 JB 0J 106M-T	B	57.2/22.1
C506	4030019460	S.CER C1608 JB 0J 106M-T	B	25.4/1.7
C507	4030019460	S.CER C1608 JB 0J 106M-T	B	75.3/25.7
C508	4030019460	S.CER C1608 JB 0J 106M-T	B	69.4/24.3
C509	4030016930	S.CER C1005 JB 1A 104K-T	B	27.2/17.5
C511	4030017440	S.CER C1005 CH 1H 221J-T	B	24.4/31.4
C512	4030017440	S.CER C1005 CH 1H 221J-T	B	24.9/29.2
C513	4030017440	S.CER C1005 CH 1H 221J-T	B	23.7/27.9
C514	4030017400	S.CER C1005 CH 1H 220J-T	B	24.9/27.2
C515	4030017440	S.CER C1005 CH 1H 221J-T	B	15.3/36.8
C516	4030017440	S.CER C1005 CH 1H 221J-T	B	12.2/37.1
C517	4030016930	S.CER C1005 JB 1A 104K-T	T	82.3/8.8
C523	4030019460	S.CER C1608 JB 0J 106M-T	B	6.2/12.1
C524	4030019460	S.CER C1608 JB 0J 106M-T	B	46.7/44.2
C526	4030018860	S.CER C1005 JB 0J 105K-T	B	28.4/6.8
C527	4030016790	S.CER C1005 JB 1E 103K-T	B	79.7/16.1
C529	4030017430	S.CER C1005 CH 1H 101J-T	B	89.6/34.0
C530	4030017430	S.CER C1005 CH 1H 101J-T	B	80.0/32.6
C531	4030017440	S.CER C1005 CH 1H 221J-T	B	10.9/38.5
C532	4030017440	S.CER C1005 CH 1H 221J-T	B	12.8/26.7
C533	4030017440	S.CER C1005 CH 1H 221J-T	B	13.7/14.9
C534	4030017440	S.CER C1005 CH 1H 221J-T	B	7.8/19.4
C535	4030017440	S.CER C1005 CH 1H 221J-T	B	24.9/19.7
J2	6510028080	S.CON 27FHSY-RSM1-GAN-TB(LF)(SN)	T	4.9/24.8
J3	6510028170	S.CON SDHL-8BNS-K-363-A0-ETB(HF)	B	67.4/8.3
J4	6510024580	S.CON HSJ1621-019011	B	67.8/48.2
J5	6510028920	S.CON AXK6S50647YG	B	81.2/37.0
J271	6510028880	S.CON 04-6238-010-410-800	B	5.2/24.8
DS1	5040003550	S.LED NSSW208T	[EUR]	T 16.1/48.2
	5040003550	S.LED NSSW208T	[UK]	
	5040003550	S.LED NSSW208T	[ITR]	
	5040003550	S.LED NSSW208T	[USA]	
	5040003550	S.LED NSSW208T	[KOR]	
	5040003550	S.LED NSSW208T	[EXP]	
	5040003890	S.LED B1931TX-05P-000412 <KOU>	[EXP-01]	
	5040003550	S.LED NSSW208T	[CHN]	
	5040003550	S.LED NSSW208T	[AUS]	
	5040003550	S.LED NSSW208T	[EUR-01]	
	5040003550	S.LED NSSW208T	[USA-01]	
	5040003550	S.LED NSSW208T	[EUR-02]	
	5040003550	S.LED NSSW208T	[USA-02]	
	5040003550	S.LED NSSW208T	[EUR-03]	
	5040003550	S.LED NSSW208T	[USA-03]	
	5040003550	S.LED NSSW208T	[EUR-04]	
	5040003550	S.LED NSSW208T	[USA-04]	
	5040003550	S.LED NSSW208T	[EUR-05]	
	5040003550	S.LED NSSW208T	[USA-05]	
	5040003550	S.LED NSSW208T	[EUR-06]	
	5040003550	S.LED NSSW208T	[UK-06]	
	5040003550	S.LED NSSW208T	[USA-06]	
	5040003550	S.LED NSSW208T	[CHN-06]	
DS2	5040003890	S.LED B1931TX-05P-000412 <KOU>	T	55.5/8.4
DS3	5040003550	S.LED NSSW208T	T	24.6/48.2
DS4	5040003890	S.LED B1931TX-05P-000412 <KOU>	T	63.8/8.4
DS5	5040003890	S.LED B1931TX-05P-000412 <KOU>	T	55.5/41.2
DS6	5040003890	S.LED B1931TX-05P-000412 <KOU>	T	63.8/41.2
DS7	5040002670	S.LED CL-165HR/YG-D-T	T	1.2/8.8
DS8	5040003890	S.LED B1931TX-05P-000412 <KOU>	T	63.4/30.3
DS9	5040003890	S.LED B1931TX-05P-000412 <KOU>	T	50.5/30.8
DS10	5040003890	S.LED B1931TX-05P-000412 <KOU>	T	50.5/18.9
DS11	5040003890	S.LED B1931TX-05P-000412 <KOU>	T	63.4/19.4
DS12	5040003550	S.LED NSSW208T	T	33.1/48.2
DS13	5030003660	LCD M1-16777FF-4 <TES>		
MC1	7700003080	MIC F6022AP-SD <TDS>		

[MAIN UNIT]

REF NO.	PARTS NO.	DESCRIPTION	M.	H/V LOCATION
EP1	6910023920	S.BEA BLM15GA750SN1D	T	75.3/47.5
EP2	6910023920	S.BEA BLM15GA750SN1D	B	61.1/44.1
EP3	6910023920	S.BEA BLM15GA750SN1D	B	61.1/46.8
EP5	6910018460	S.BEA MMZ1005Y102C-T	B	46.9/47.0
EP6	6910021630	S.BEA BLM18RK102SN1D	B	77.9/5.4
EP9	6910021630	S.BEA BLM18RK102SN1D	B	22.5/8.4
EP10	6910021630	S.BEA BLM18RK102SN1D	B	12.6/30.2
EP12	6910016330	S.BEA MMZ1005S 601CT-S	B	21.2/9.4
EP13	6910016330	S.BEA MMZ1005S 601CT-S	B	26.9/21.6
EP14	6910021630	S.BEA BLM18RK102SN1D	B	18.3/13.9
EP19	6910016330	S.BEA MMZ1005S 601CT-S	B	29.7/15.4
EP20	6910016330	S.BEA MMZ1005S 601CT-S	B	32.3/14.8
EP22	6910018460	S.BEA MMZ1005Y102C-T	B	89.6/34.9
EP23	6910018460	S.BEA MMZ1005Y102C-T	B	81.6/33.0
EP24	6910023920	S.BEA BLM15GA750SN1D	B	83.4/32.9
EP25	6910018460	S.BEA MMZ1005Y102C-T	B	12.7/15.6

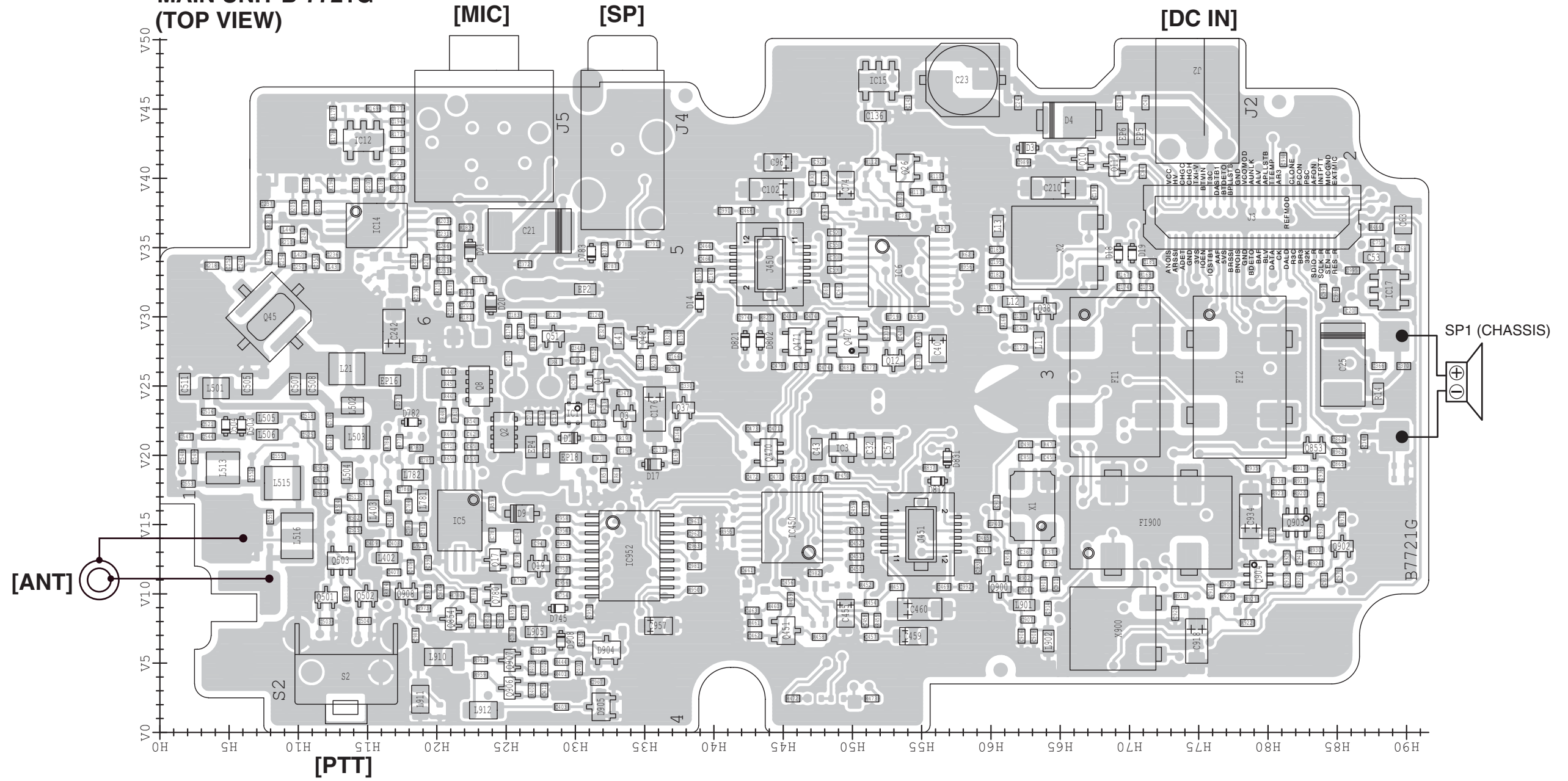
Eqv.= This component is equivalent to the REF No. component listed above, and may be substituted on parts orders and repairs.

M.=Mounted side (T: Mounted on the Top side, B: Mounted on the Bottom side)
S.=Surface mount

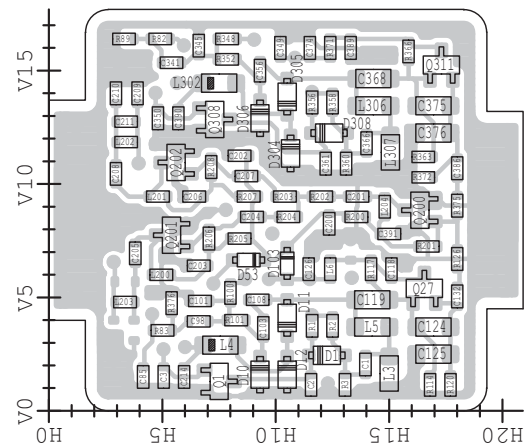
BOARD LAYOUTS

The combination of top side and bottom side of this page shows the actual configuration of P.C. board.

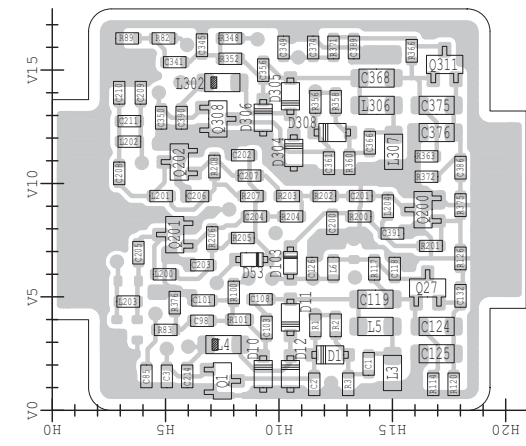
• MAIN UNIT B-7721G
(TOP VIEW)



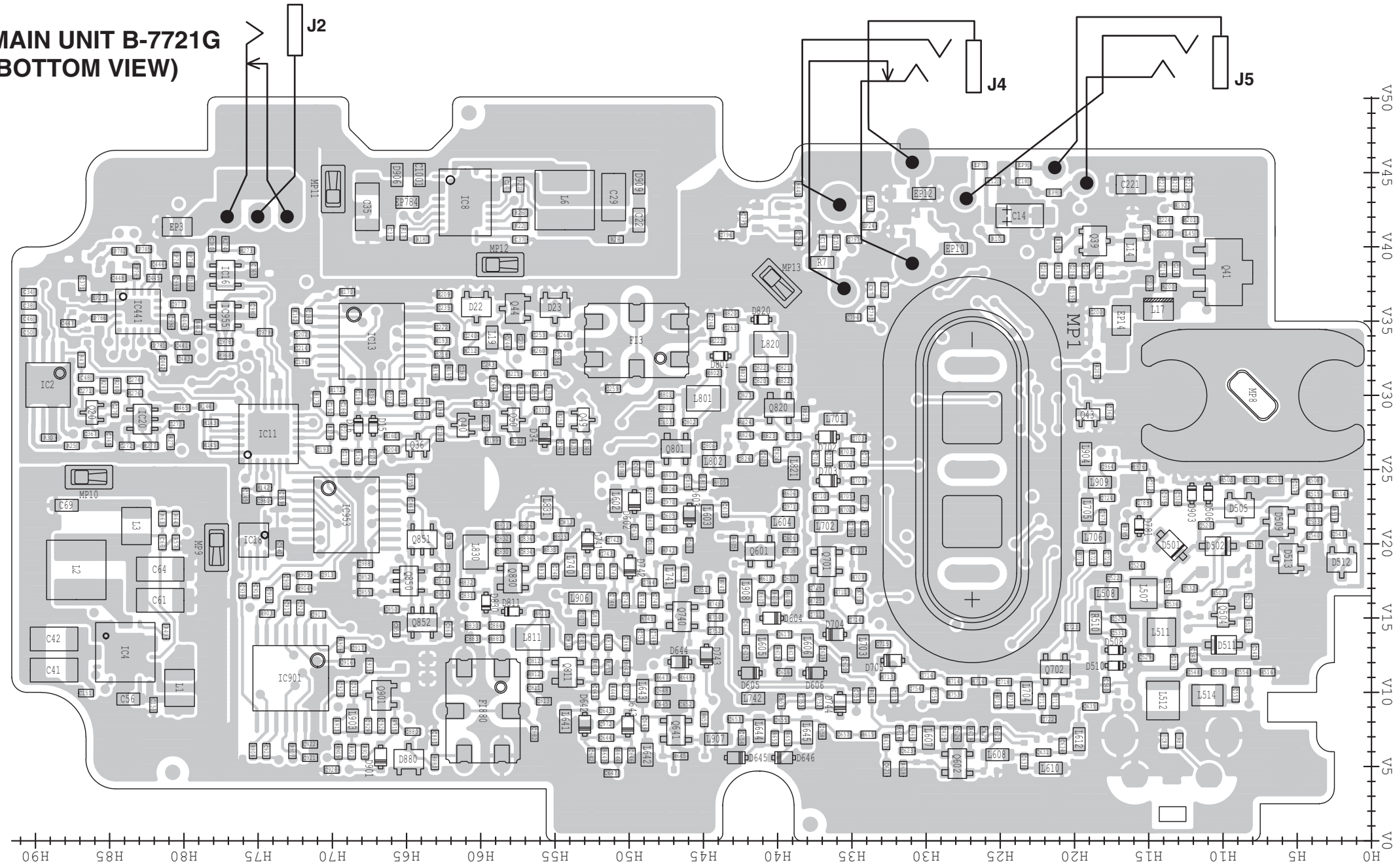
• VCO1 UNIT B-7723B
(TOP VIEW)



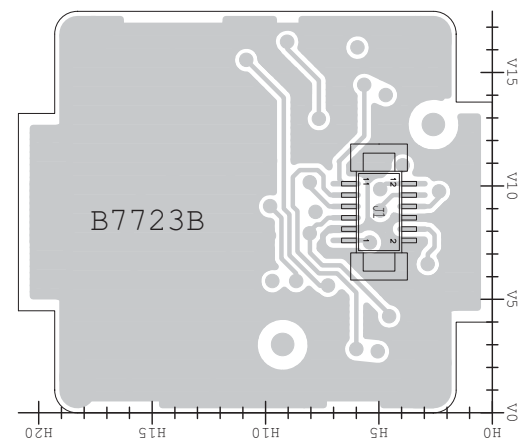
• VCO2 UNIT B-7723B
(TOP VIEW)



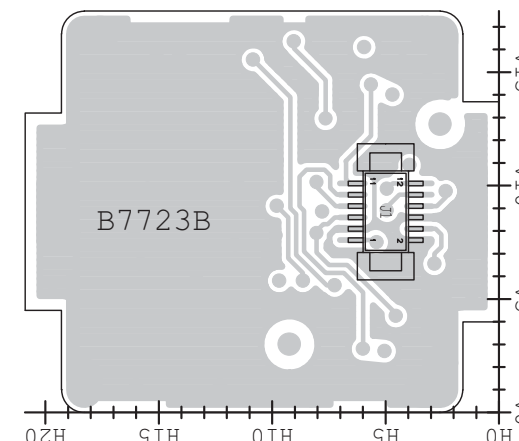
• MAIN UNIT B-7721G
(BOTTOM VIEW)



• VCO2 UNIT B-7723B
(BOTTOM VIEW)

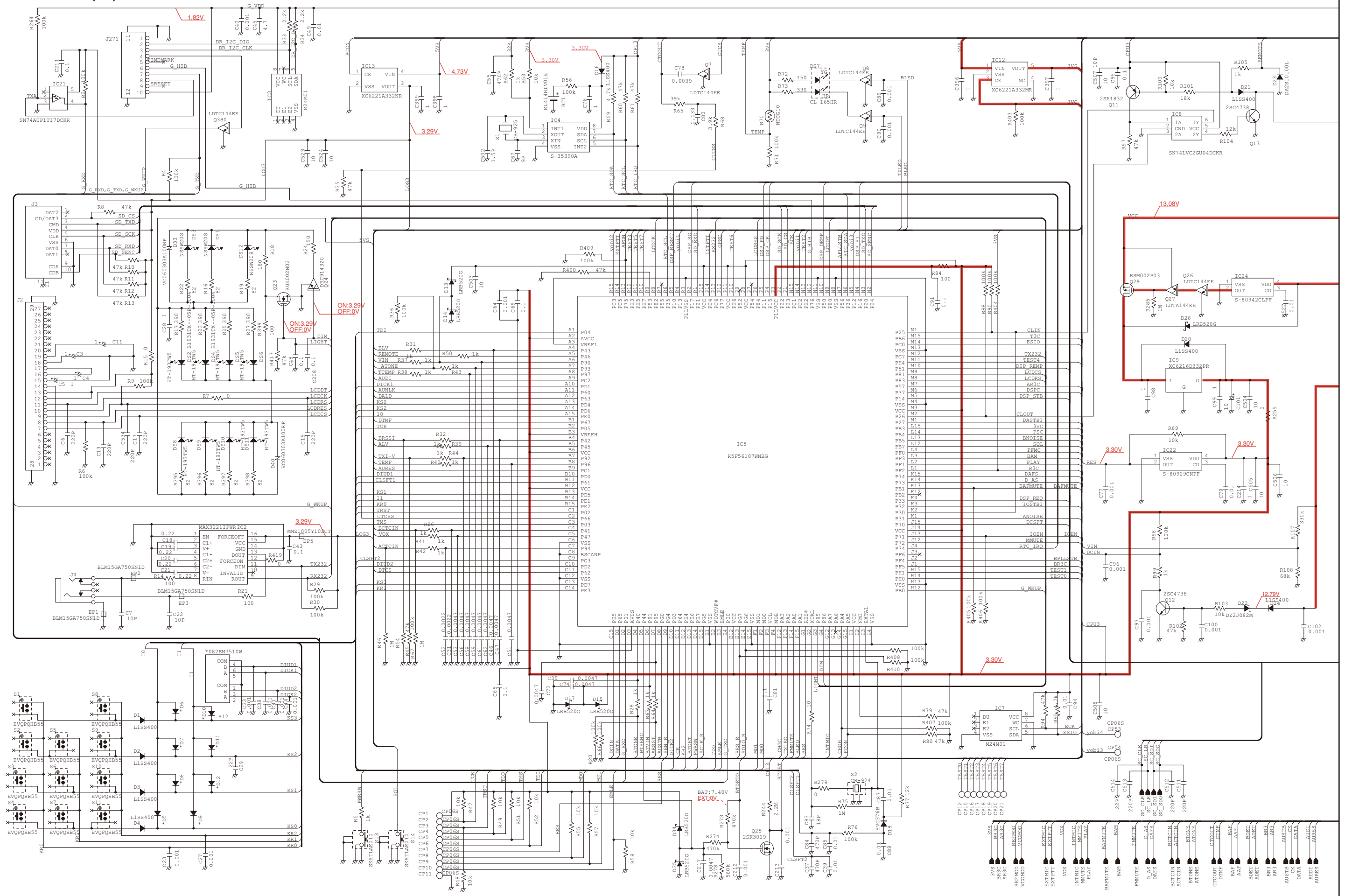


• VCO1 UNIT B-7723B
(BOTTOM VIEW)

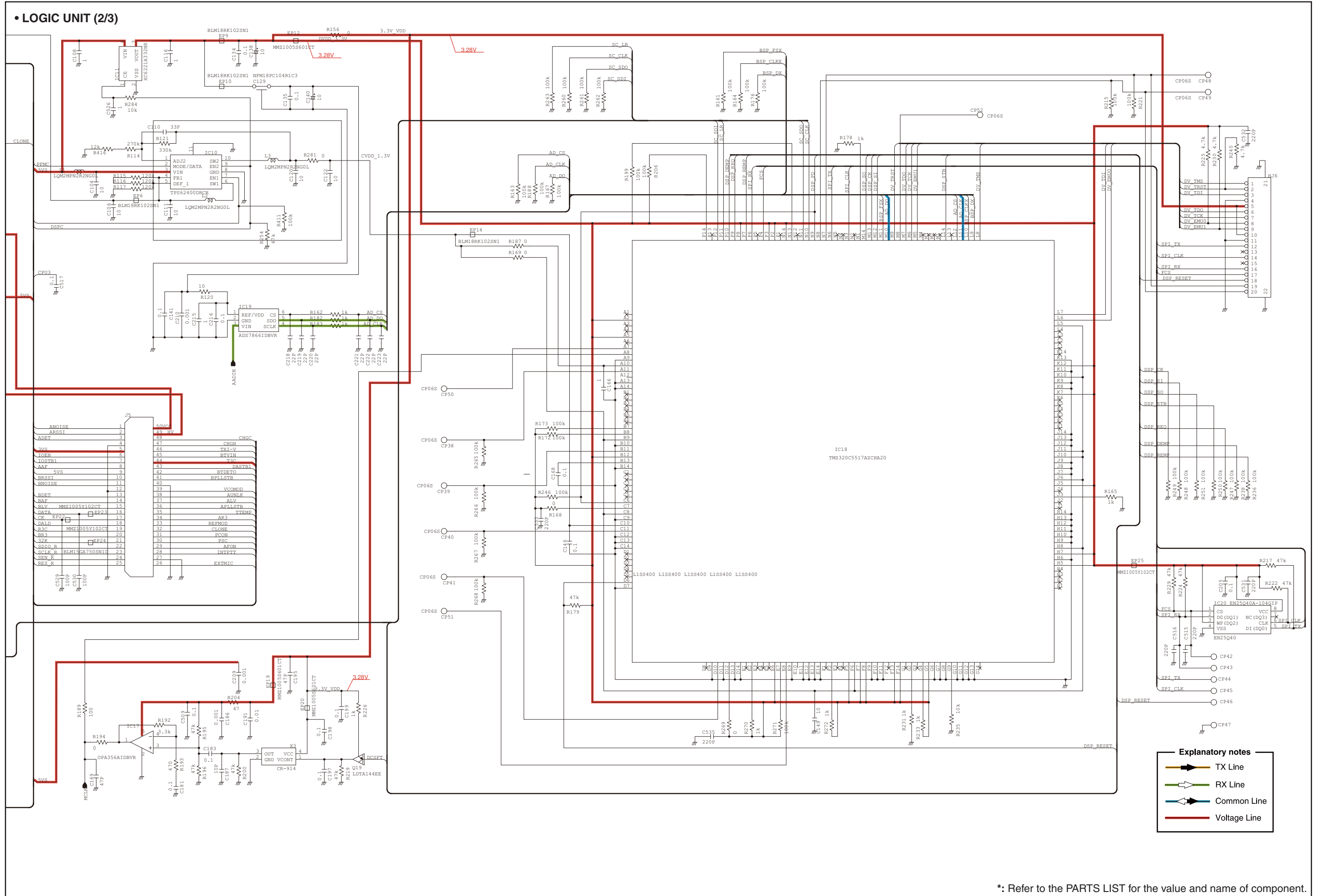


VOLTAGE DIAGRAM

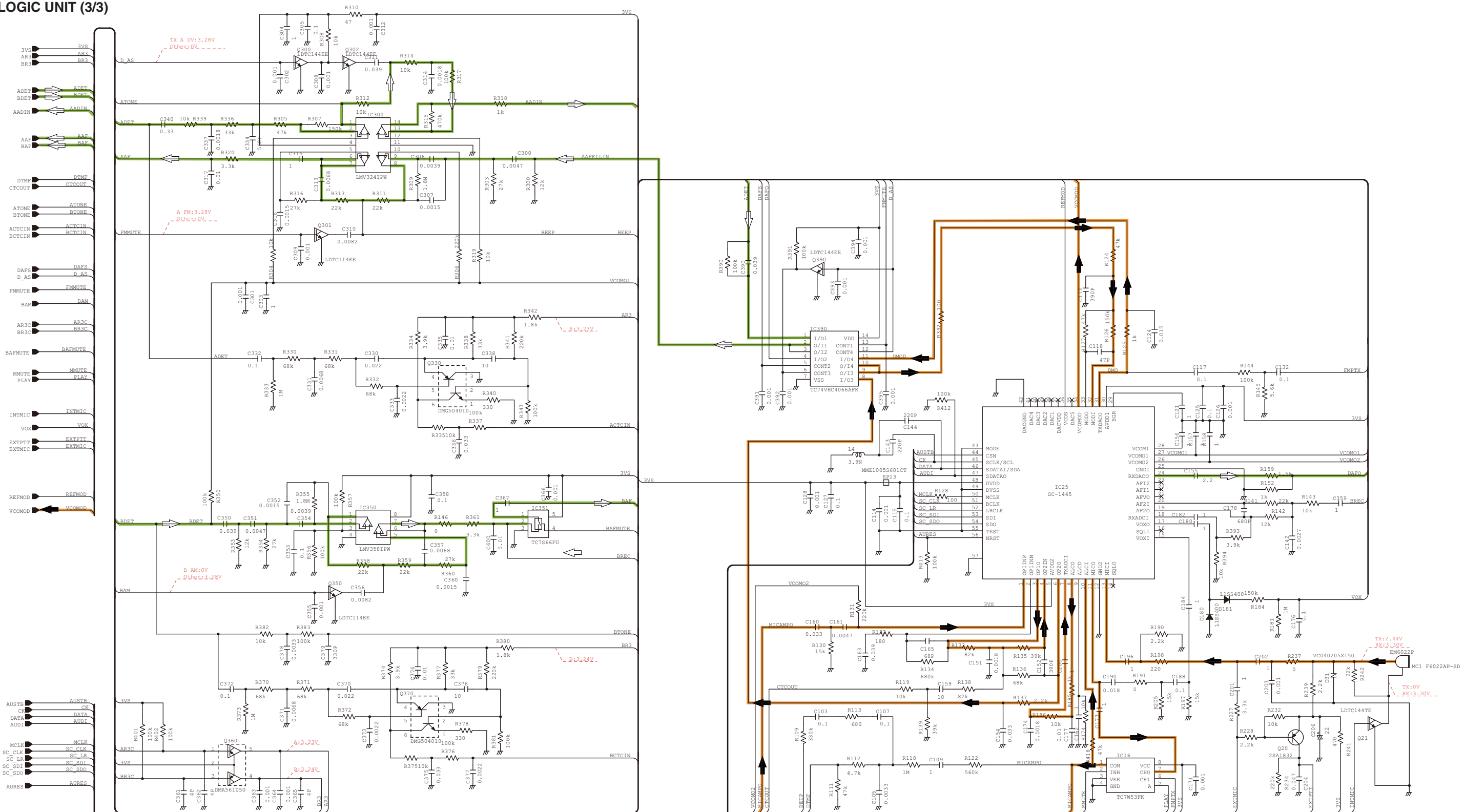
• LOGIC UNIT (1/3)



• LOGIC UNIT (2/3)



• LOGIC UNIT (3/3)

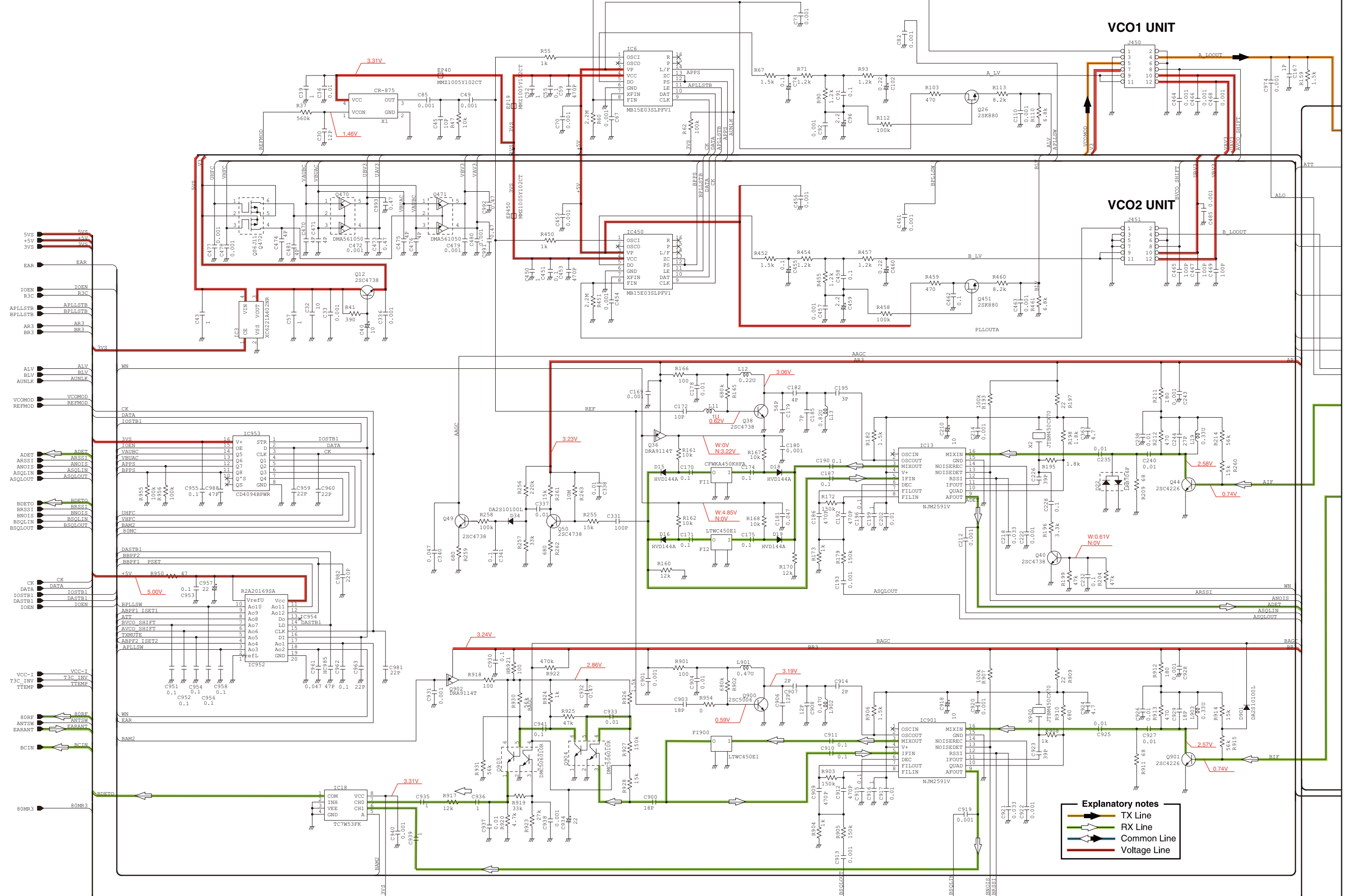


Explanatory notes

- ▶ TX Line
- ▶ RX Line
- ▶ Common Line
- ▶ Voltage Line

*: Refer to the PARTS LIST for the value and name of component.

• MAIN UNIT (1/3)

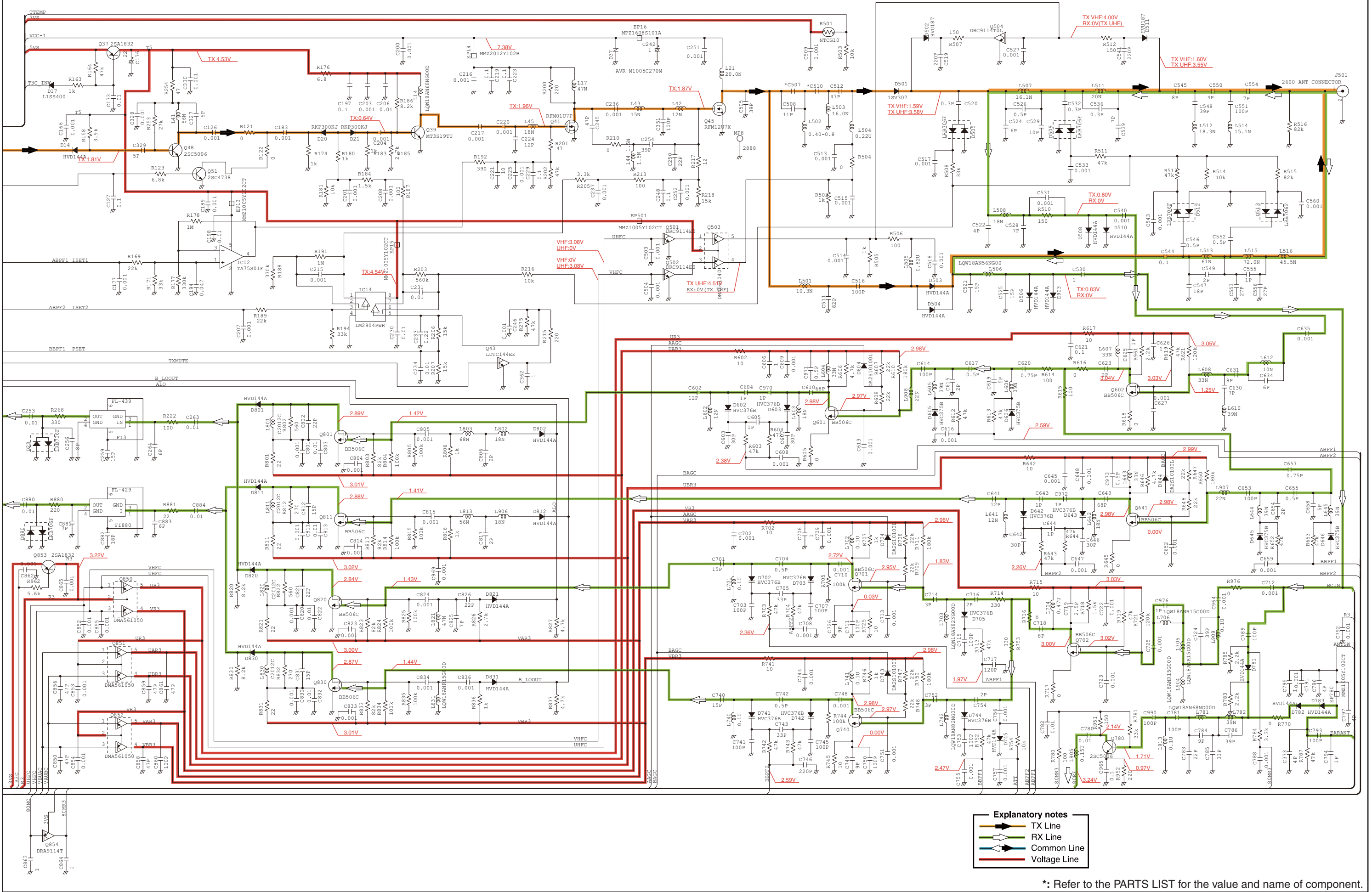


Explanatory notes

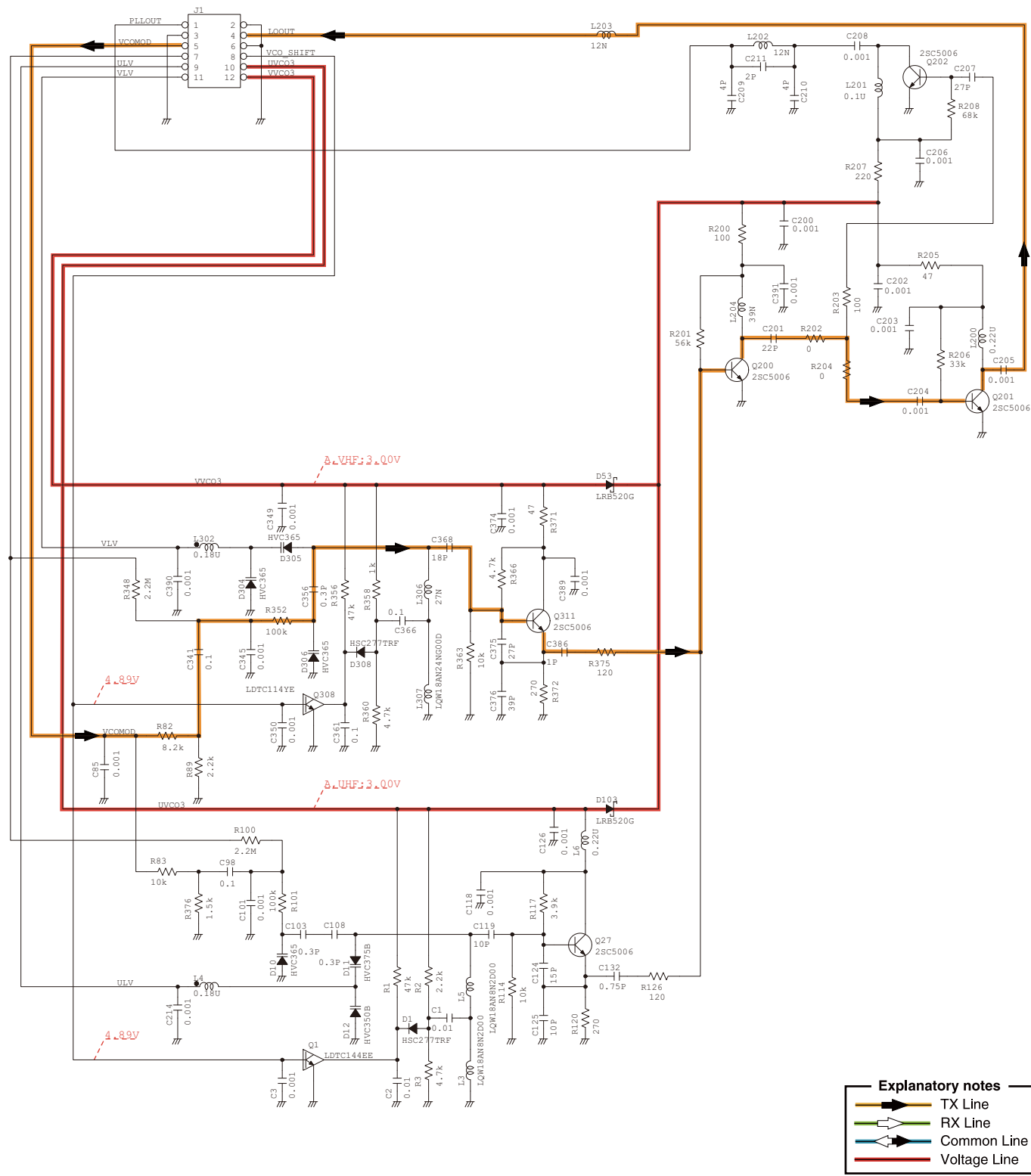
- TX Line
- RX Line
- Common Line
- Voltage Line

*: Refer to the PARTS LIST for the value and name of component.

• MAIN UNIT (2/3)

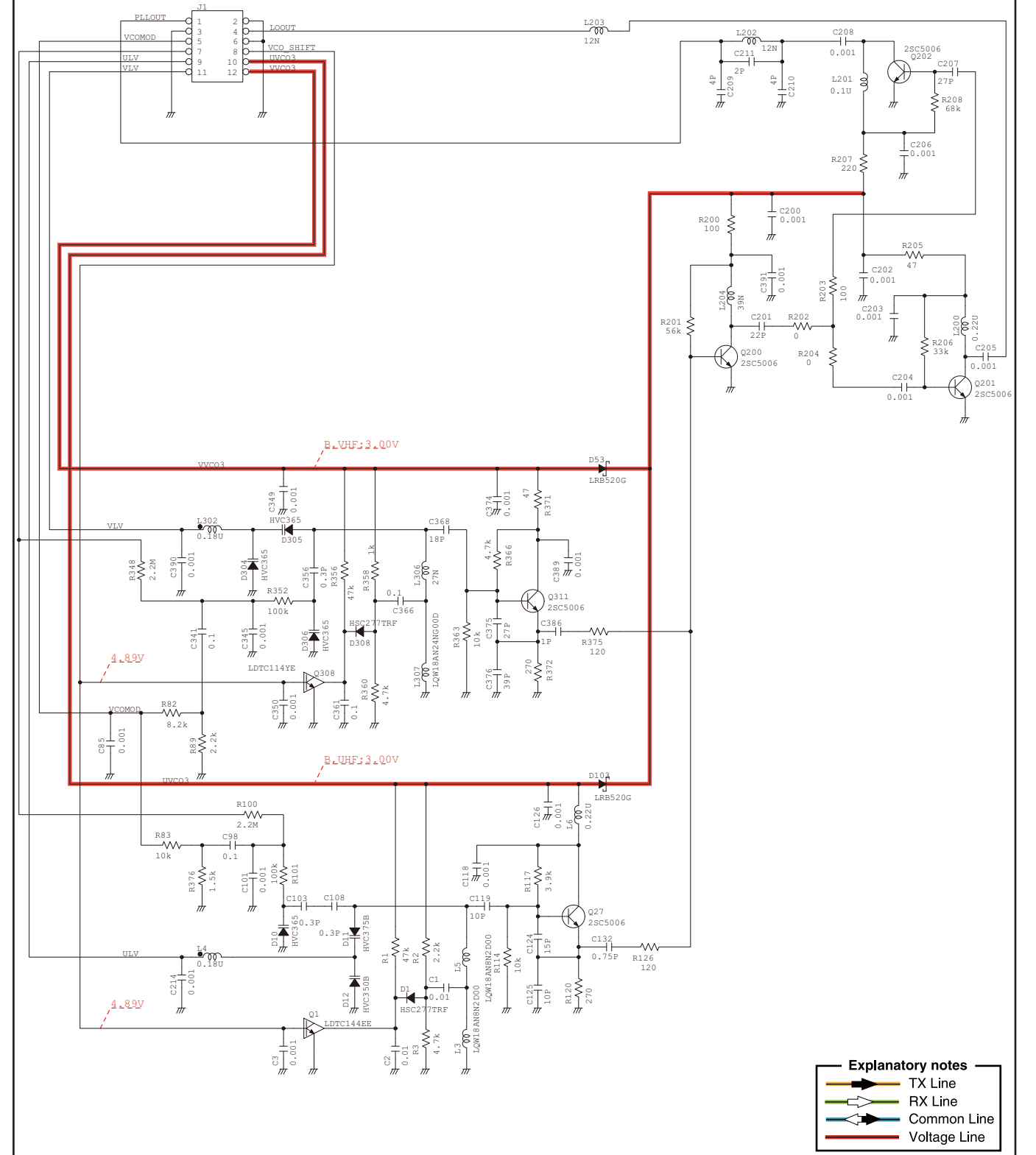


• VCO1 UNIT



*: Refer to the PARTS LIST for the value and name of component.

• VCO2 UNIT



*: Refer to the PARTS LIST for the value and name of component.