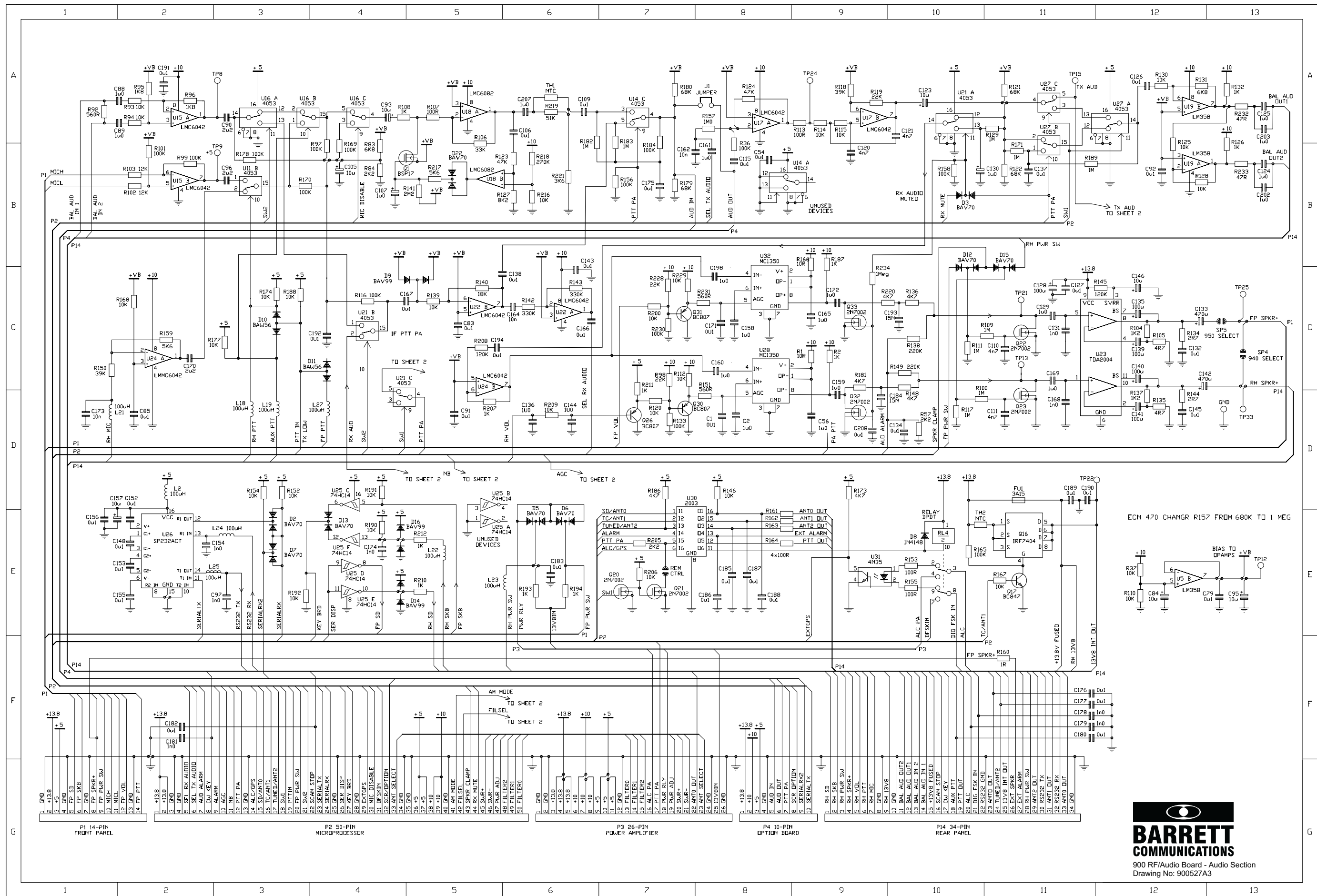
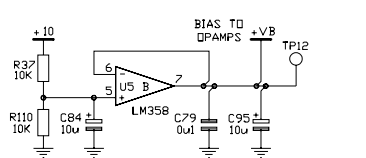


TEST POINT	WAVEFORM	DESCRIPTION	CONDITION
TP4	DC	5V DC	* SELCALL DATA
TP10	DC	5V DC	* SELCALL DATA
TP13	DC	5V DC	* SELCALL DATA
TP16	Complex	1V P-P BURST @ AUDIO FREQ	ON REEF-ALARM
TP17	Complex	8V P-P BURST @ 1700Hz AND 1850Hz	ON SC TRANSMIT
TP19	Complex	200mV P-P AT 1500Hz AND 1990Hz	* INCLUDING AUDIO
TP20	Complex	800mV P-P ON 2.5V DC	
TP21	Complex	1V P-P @ 3.5V DC	
TP22	Complex	CMDS LEVELS FREQ LOI/10	
TP23	Complex	2.5V P-P FREQ LOI/10	
TP24	Complex	2.5V P-P FREQ LOI/10	
TP25	Complex	6mS WIDE 2.5V P-P FREQ LOI/10	
TP26	DC	1.0V VARIES WITH FREQUENCY OF LOI	
TP27	Complex	8.5V P-P @ 3.5V DC	
TP28	Complex	1.0V VARIES WITH FREQ LOI @ 47-75MHz	
TP36	Complex	CMDS LEVELS FREQ LOI/10	
TP39	DC	2.8V P-P @ 3.5V DC	
TP40	DC	CMDS LDIG HIGH	
TP41	DC	LOW ON RESET	
		* 4.36V DC SELCALL REFERENCE	
		* THESE CONDITIONS APPLY WHEN RECEIVING A SELCALL	

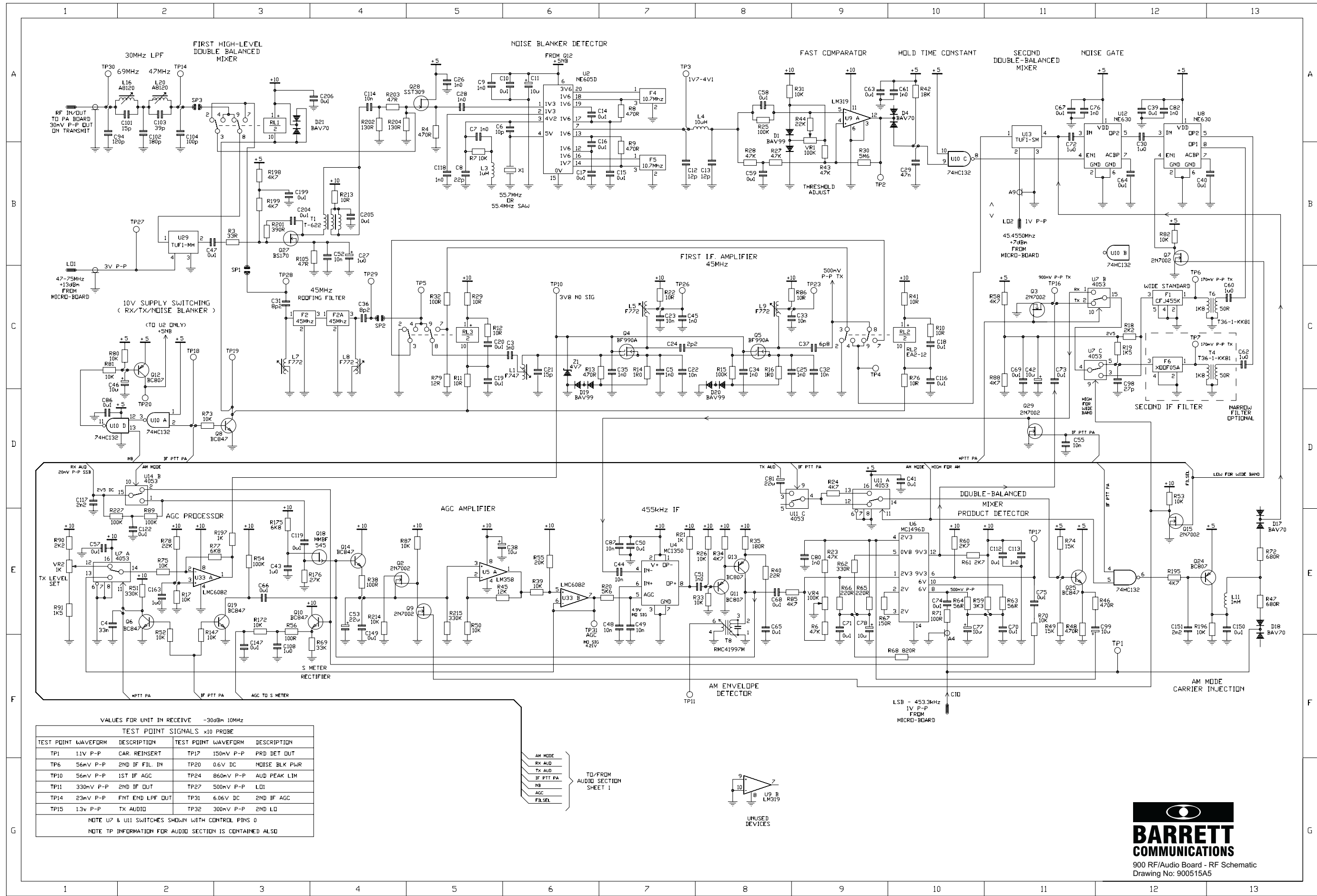
ECN 443 ADD RESISTOR R90 I8K ACROSS L15



ECN 470 CHANG R157 FROM 680K TO 1 MEG



**BARRETT COMMUNICATIONS**  
 900 RF/Audio Board - Audio Section  
 Drawing No: 900527A3



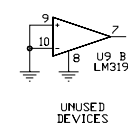
VALUES FOR UNIT IN RECEIVE -30dBm 10MHz

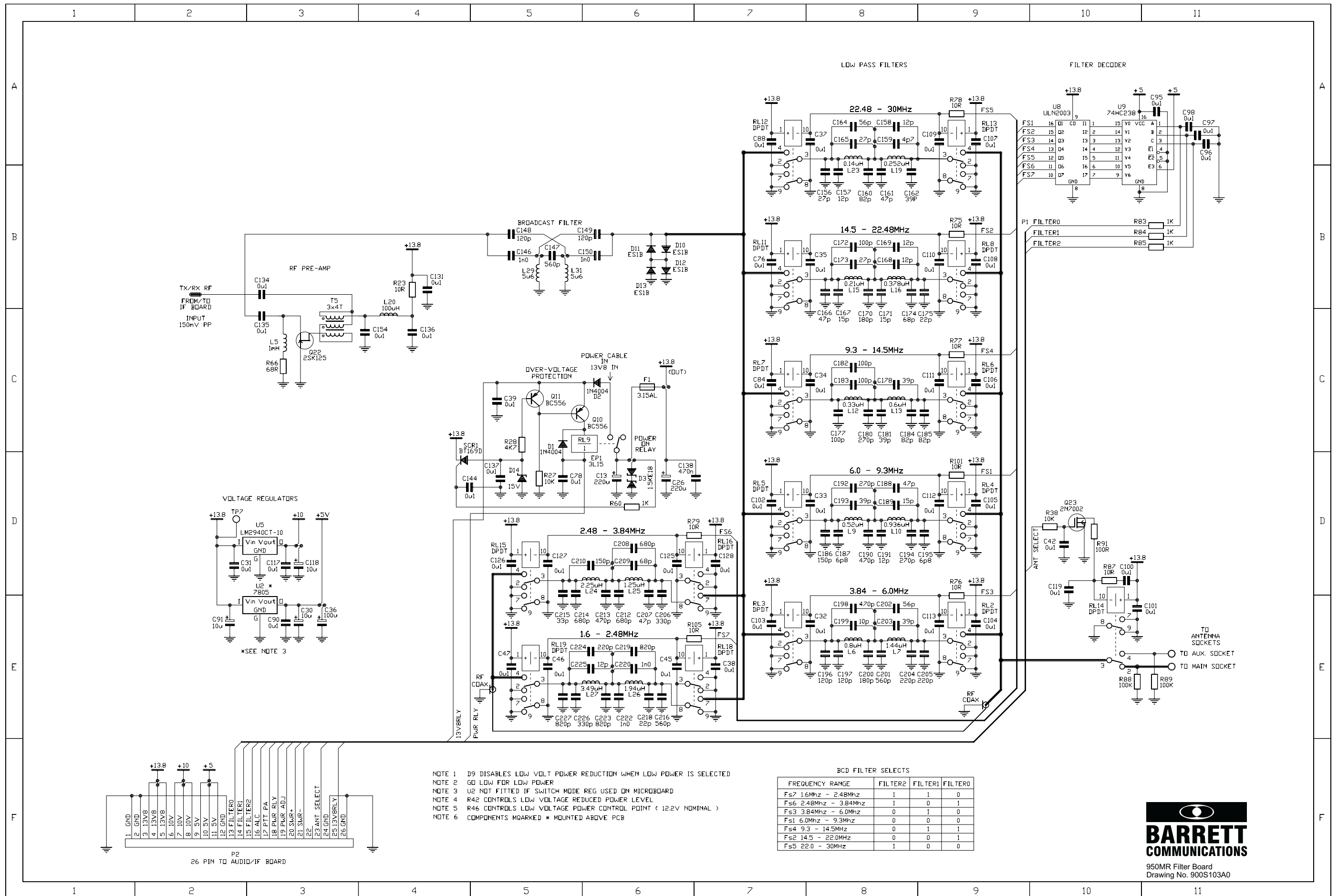
TEST POINT	WAVEFORM	DESCRIPTION	TEST POINT	WAVEFORM	DESCRIPTION
TP1	1.1V P-P	CAR. REINSERT	TP17	150mV P-P	PRD DET OUT
TP6	56mV P-P	2ND IF FIL. IN	TP20	0.6V DC	NOISE BLK PLUR
TP10	56mV P-P	1ST IF AGC	TP24	860mV P-P	AUD PEAK LIM
TP11	330mV P-P	2ND IF OUT	TP27	500mV P-P	LD1
TP14	23mV P-P	FNT END LPF OUT	TP31	6.06V DC	2ND IF AGC
TP15	1.3V P-P	TX AUDIO	TP32	300mV P-P	2ND LD

NOTE U7 & U11 SWITCHES SHOWN WITH CONTROL PINS 0  
NOTE TP INFORMATION FOR AUDIO SECTION IS CONTAINED ALSO

AM MODE  
RX AUD  
TX AUD  
IF PTT PA  
NB  
AGC  
FILSEL

TO/FROM AUDIO SECTION SHEET 1

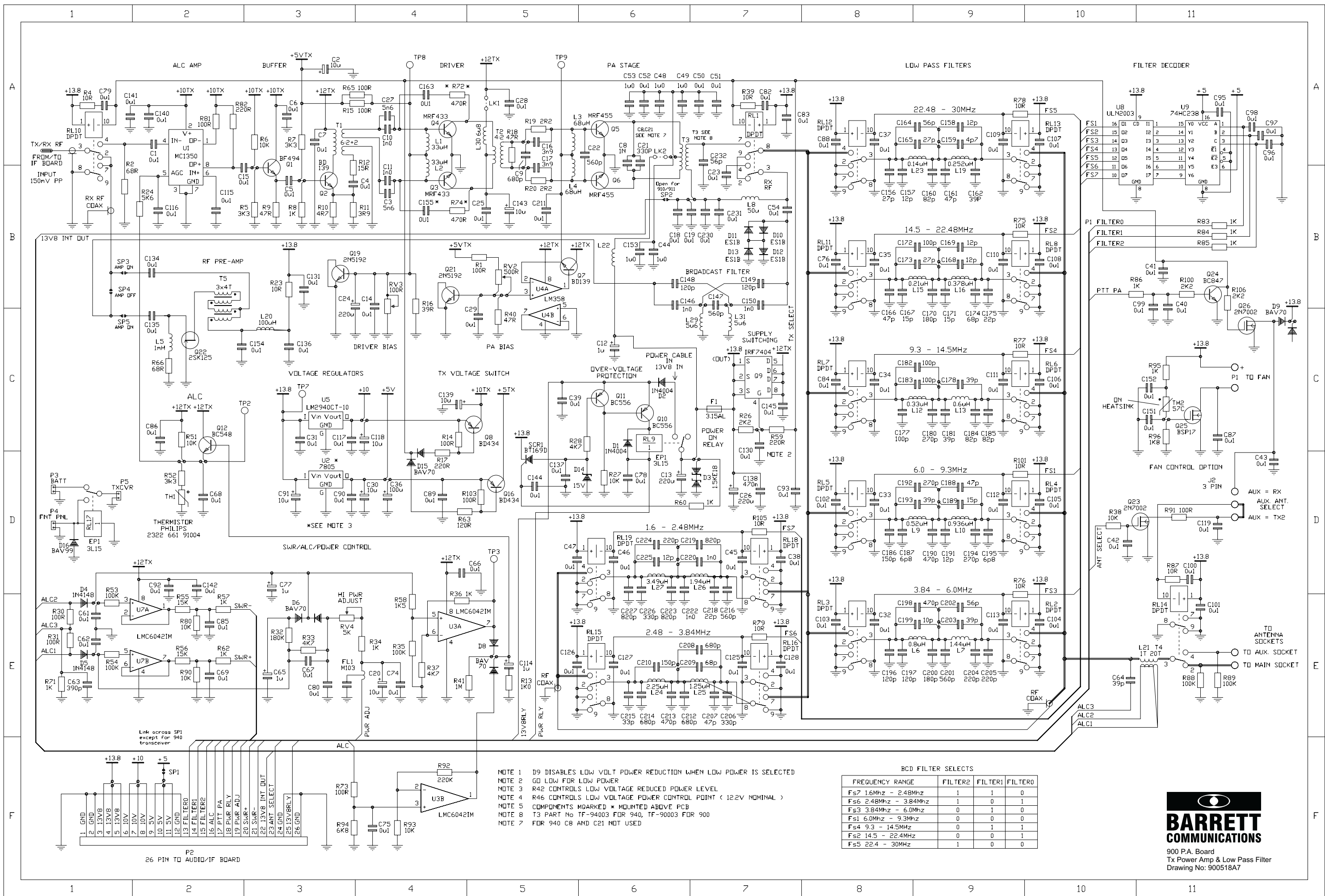




NOTE 1 D9 DISABLES LOW VOLT POWER REDUCTION WHEN LOW POWER IS SELECTED  
 NOTE 2 GO LOW FOR LOW POWER  
 NOTE 3 U2 NOT FITTED IF SWITCH MODE REG USED ON MICROBOARD  
 NOTE 4 R42 CONTROLS LOW VOLTAGE REDUCED POWER LEVEL  
 NOTE 5 R46 CONTROLS LOW VOLTAGE POWER CONTROL POINT ( 12.2V NOMINAL )  
 NOTE 6 COMPONENTS MARKED \* MOUNTED ABOVE PCB

BCD FILTER SELECTS

FREQUENCY RANGE	FILTER2	FILTER1	FILTER0
Fs7 1.6MHz - 2.48MHz	1	1	0
Fs6 2.48MHz - 3.84MHz	1	0	1
Fs3 3.84MHz - 6.0MHz	0	1	0
Fs1 6.0MHz - 9.3MHz	0	0	0
Fs4 9.3 - 14.5MHz	0	1	1
Fs2 14.5 - 22.0MHz	0	0	1
Fs5 22.0 - 30MHz	1	0	0



- NOTE 1 D9 DISABLES LOW VOLT POWER REDUCTION WHEN LOW POWER IS SELECTED  
 NOTE 2 G0 LOW FOR LOW POWER  
 NOTE 3 R42 CONTROLS LOW VOLTAGE REDUCED POWER LEVEL  
 NOTE 4 R46 CONTROLS LOW VOLTAGE POWER CONTROL POINT ( 12.2V NOMINAL )  
 NOTE 5 COMPONENTS MARGED \* MOUNTED ABOVE PCB  
 NOTE 6 T3 PART NO TF-94003 FOR 940, TF-90003 FOR 900  
 NOTE 7 FOR 940 C8 AND C21 NOT USED

BCD FILTER SELECTS

FREQUENCY RANGE	FILTER2	FILTER1	FILTER0
Fs7 1.6Mhz - 2.48Mhz	1	1	0
Fs6 2.48Mhz - 3.84Mhz	1	0	1
Fs3 3.84Mhz - 6.0Mhz	0	1	0
Fs1 6.0Mhz - 9.3Mhz	0	0	0
Fs4 9.3 - 14.5Mhz	0	1	1
Fs2 14.5 - 22.4Mhz	0	0	1
Fs5 22.4 - 30Mhz	1	0	0

**BARRETT COMMUNICATIONS**  
 900 P.A. Board  
 Tx Power Amp & Low Pass Filter  
 Drawing No: 900518A7