

**RESTRICTED**

The information given in this document is not to be communicated, either directly or indirectly, to the Press or to any person not authorized to receive it.

**WIRELESS STATIONS No. 62**  
**IN**  
**CARS 5 cwt. 4 x 4**  
*and*  
**ANIMAL PACK/MAN PACK**

*Fitting and Loading Instructions*

ZΛ27865

The War Office  
Whitehall  
April 1945



*Wireless Stations No. 62*  
*in*  
*Cars 5 cwt. 4 x 4 and Animal Pack/Man Pack*

CONTENTS

<i>Sect.</i>	<i>Page</i>
<b>CHAPTER I—VEHICLE STATION INSTALLATION</b>	
1. Brackets Mounting No. 64A .. .. .	3
2. Brackets Mounting No. 64B .. .. .	3
3. Gusset Plates .. .. .	4
4. Earthing bolt in Vehicle Mudguard .. .. .	4
5. Clamps Carrier No. 2 .. .. .	4
6. Aerial Base No. 10 Mk. II .. .. .	4
7. Plates, Aerial Base Mounting No. 3 .. .. .	4
8. Brackets, Aerial Base Mounting No. 6 .. .. .	4
9. Carriers Set No. 40 .. .. .	4
10. Carriers Battery Secy., Port, No. 9 Mk. II .. .. .	4
11. Carriers Charging Set 80 watt No. 1 .. .. .	4
12. Aerial Base No. 10 Mk. II .. .. .	4
13. 62 Set .. .. .	5
14. Batty, Secy., Port., 12 V 22 Ah .. .. .	5
15. Batteries Secy., Port., 12 V 22 Ah .. .. .	5
16. Charging Set 80 watt No. 1 .. .. .	5
17. Petrol, Oil and Spares .. .. .	5
18. Cases, Spare Valve .. .. .	5
19. Bags, AE Gear No. 2 .. .. .	5
20. Reels Cable .. .. .	5
21. Remote Control Unit .. .. .	5
22. Connectors .. .. .	5
 <b>CHAPTER II—ANIMAL PACK STATION</b>	
Disposition of Equipment on Animals and Weights ..	6
 <b>CHAPTER III—CONVERSION KIT INSTALLATION</b>	
23. Brackets Supporting L.H. No. 2 .. .. .	8
24. Brackets Supporting R.H. No. 2 .. .. .	8
25. Carriers No. 8 .. .. .	8
26. Brackets Mounting No. 64A .. .. .	8
27. Brackets Mounting No. 64B .. .. .	8
28. Carriers Generating Sets No. 12 and Carriers No. 8 ..	8
APPENDIX—Table of Bolts .. .. .	9

**ILLUSTRATIONS***Page*

Fig. 1.	Wireless Stations No. 62, Cars 5 cwt. 4 x 4/Animal Pack—Brackets fitted in Vehicle .. .. .	11
Fig. 2.	Wireless Stations No. 62, Cars 5 cwt. 4 x 4/Animal Pack—Carriers fitted in Vehicle .. .. .	12
Fig. 3.	Wireless Stations No. 62, Cars 5 cwt. 4 x 4/Animal Pack—Equipment in Vehicle (including Connectors)	13
Fig. 4.	Wireless Stations No. 62, Cars 5 cwt. 4 x 4/Animal Pack/Man Pack—Brackets fitted in Vehicle ..	14
Fig. 5.	Wireless Stations No. 62, Cars 5 cwt. 4 x 4/Animal Pack/Man Pack—Carriers fitted in Vehicle ..	15
Fig. 6.	Wireless Stations No. 62, Cars 5 cwt. 4 x 4/Animal Pack/Man Pack—Complete Equipment in Vehicle (including Connectors) .. .. .	16
Plate 1.	First Animal—Near Side .. .. .	17
Plate 2.	First Animal—Off Side .. .. .	18
Plate 3.	Second Animal—Near Side .. .. .	19
Plate 4.	Second Animal—Off Side .. .. .	20
Plate 5.	Third Animal—Near Side .. .. .	21
Plate 6.	Third Animal—Off Side .. .. .	22

# WIRELESS STATIONS No. 62

IN

## CARS 5 cwt. 4 x 4 and ANIMAL PACK/MAN PACK

### *Fitting and Loading Instructions*

The following instructions provide for the installation of a 62 set station in a jeep with carriers for an Animal Pack Station and Conversion Kit for Man Pack Station. They are intended to supplement the instructions contained in ZA27690 Wireless Set No. 62 W.I.

**NOTE:** Throughout these instructions the left and right sides of the vehicle are as would be assumed when sitting in the driver's seat.

## CHAPTER I

### VEHICLE STATION INSTALLATION

This installation is intended for use in a Car 5 cwt. 4 x 4. It may also be used as an animal pack (see Chapter II). If the station is also required to be used as a man pack additional fittings described in Chapter III must also be installed.

#### 1. Brackets Mounting No. 64A (Fig. 1)

Drill 3 holes on top of right wheel arch (forward end of vehicle) to line up with studs in Brackets, Mounting No. 64A. Fasten bracket with nuts provided.

Drill 3 holes in floor of vehicle between the wheel arches (right side) to line up with studs in Brackets, Mounting No. 64A. (Note: Top part of bracket only is used here.) Fasten bracket with 3 nuts provided.

Drill 3 holes in right rear corner of vehicle floor to line up with studs in Brackets, Mounting No. 64A. (Note: Top part of bracket only is used here.) Fasten bracket with 3 nuts provided.

#### 2. Brackets Mounting No. 64B (Fig. 1)

Drill 3 holes in top of right wheel arch (rear end of vehicle) to line up with studs in Brackets, Mounting No. 64B at a distance of  $29\frac{1}{4}$  inches from Brackets, Mounting No. 64A. Fasten bracket with 3 nuts provided.

Drill 3 holes in floor of vehicle between the wheel arches (left side) to line up with studs in Brackets, Mounting No. 64B at a distance of  $21\frac{1}{4}$  inches from Brackets Mounting No. 64A. Fasten brackets with 3 nuts provided.

Drill 3 holes in left rear corner of vehicle floor to line up with studs in Brackets, Mounting No. 64B at a distance of  $21\frac{1}{4}$  inches from Brackets, Mounting No. 64A. (Note: Top part of bracket only is used here.) Fasten bracket with 3 nuts provided.

## **CHAPTER I—Sections 3-12.**

### **3. Gusset Plates (Fig. 1)**

Remove gusset plates (if already installed in vehicle).

### **4. Earthing bolt in vehicle mudguard**

Drill 2 B.A. hole in the inside face of right rear mudguard in position shown in Fig. 1 for earthing bolt.

### **5. Clamps Carrier No. 2 (Fig. 1)**

Drill two holes in floor of vehicle (near forward corner of right wheel arch) to line up with holes in Clamps Carrier No. 2, also two holes (near forward of left wheel arch) at a distance of 25½ inches to line up with holes in Clamps Carrier No. 2.

**NOTE:** It is important that the brackets (mentioned in Sections 1 and 2) and clamps (mentioned in Section 3) are spaced exactly to measurements given in Fig. 1.

### **6. Aerial Base No. 10 Mk. II (Fig. 3)**

Secure Aerial Base No. 10 Mk. II to Plates Aerial Base Mounting No. 3 (Fig. 1) with 6 bolts.

### **7. Plates, Aerial Base Mounting No. 3 (Fig. 1)**

Fix Plates, Aerial Base Mounting No. 3 to top plate of Brackets Aerial Base Mounting No. 6. Six studs with nuts are provided on the Plates Aerial Base Mounting No. 3.

### **8. Brackets, Aerial Base Mounting No. 6 (Fig. 1)**

Drill four holes in right rear side of vehicle to line up with holes in Bracket Aerial Base Mounting No. 6. Fix bracket to right rear side of vehicle without bolts (Fig. 1).

### **9. Carriers Set No. 40 (Fig. 2)**

Place Carriers Set No. 40 between Brackets Mounting No. 64A and 64B. The plungers at the end of the Carriers Set No. 40 should be located in the two holes of Brackets Mounting No. 64B (Fig. 1) and the other end of the carrier clamped down by means of the trunk fasteners on Brackets Mounting No. 64A.

### **10. Carriers Battery Secy., Port., No. 9 Mk. II (Fig. 2)**

Place Carriers Battery Secy., Port., No. 9 Mk. II between the two Clamps Carrier No. 2 at the forward end of the vehicle. The angle retaining pieces (Fig. 1) should be placed over the hooks at each end of the carrier and clamped down by means of the wing nuts (Fig. 2).

### **11. Carriers Charging Set 80 watt No. 1 (Fig. 2)**

The plungers at the end of the Carriers Charging Set 80 W No. 1 should be located in the two holes of Brackets Mounting No. 64B (Fig. 1) and the other end of the carrier clamped down by means of the trunk fasteners on Brackets Mounting No. 64A (Fig. 2).

### **12. Aerial Base No. 10 Mk. II (Fig. 3)**

Secure the second Aerial Base No. 10 Mk. II to the bracket provided on the Carriers Set No. 40 by means of 6 nuts and bolts provided.

**13. 62 Set (Fig. 3)**

First move left hand "set carrying" bar to locate in the two holes to the right of its original position. Then mount the 62 set in left hand end of the Carriers Set No. 40 between the "set carrying" bars; adjust these bars to suit the width of the set. Secure set in position with carrier straps.

**14. Batty, Secy. Port., 12 V 22 Ah (Fig. 3)**

Adjust third (from left) "set carrying" bar in Carriers Set No. 40 to allow the 12 V 22 Ah Battery to fit in between the third and fourth bars.

Adjust "set" stop and "battery" stop as Fig. 1. Place a 12 V 22 Ah battery in the right hand side of carrier and fasten with straps provided.

**15. Batteries Secy., Port., 12 V 22 Ah (Fig. 3)**

Stow one Battery Secy, Port 12 V 22 Ah on the right side of Carriers Set No. 40 as previously described, and the other in the centre of Carriers, Batty, Secy., Port., No. 9 Mk. II. The rods in this latter carrier must be placed in the correct positions to permit the battery to fit into the centre of the carrier.

**16. Charging Set 80 watt No. 1 (Fig. 3)**

Place Charging Set 80 watt No. 1 in the larger compartment of the forward Carrier Charging Set 80 W No. 1. Securely fasten down with straps provided.

**17. Petrol, Oil and Spares (Fig. 3)**

Place petrol and oil cans, also spares box, in forward compartment of Carriers Charging Set 80 watt No. 1. Fasten with straps provided.

**18. Cases, Spare Valve (Fig. 3)**

Stow in Carriers Batt., Secy Port No. 9 Mk. II in forward end of vehicle.

**19. Bags, AE Gear No. 2 (Fig. 3)**

Stow in a convenient place in vehicle.

**20. Reels Cable (Fig. 3)**

Stow in Carriers Charging Set 80 watt No. 1 at rear of vehicle.

**21. Remote Control Unit**

Place Remote Control Unit in left side of rear Carriers Charging Set 80 W No. 1 and secure with straps provided.

**22. Connectors (Fig. 3)**

Connectors, Single, No. 121A connects Aerial Base No. 10 Mk. II mounted on Brackets Aerial Base Mounting No. 6 to aerial terminal on 62 set.

Connectors, Single, No. 83A connects Carriers Set No. 40 to the vehicle earthing screw.

Connectors, Single, No. 121B connects Aerial Base No. 10 Mk. II on Carrier Set No. 40 to aerial terminal on 62 set (used only with animal station).

*CHAPTERS I and II—Section 22.*

Connectors, Single, No. 121 connects earth terminal on Carriers Set No. 40 to earth terminal on 62 set.

Connectors, Twin, No. 274 connects 62 set to 12 volt battery (L.T. supply).

## CHAPTER II

### ANIMAL PACK STATION

The carriers fitted in the Car 5 cwt. as described in Chapter I are so arranged that they may be taken from their supporting brackets and slung from the harness of a pack animal. (See Plates 1-6.)

The distribution of carriers among 3 animals together with the relevant weights are given below.

#### VEHICLE/ANIMAL STATION

##### 1st ANIMAL

**Near Side (Plate 1) :**

Carriers Set No. 40 .. .. .	15½ lbs.
62 Set .. .. .	29
Batt. Secy. Port 12 V 22 Ah .. .. .	35
	79½ lbs.

**Off Side (Plate 2) :**

Carriers Batt. Secy. Port No. 9 .. .. .	10 lbs.
Batt. Secy. Port 12 V 22 Ah .. .. .	35
Satchel Signal .. .. .	6
Bags Aerial Gear No. 2 .. .. .	26½
	77½ lbs.

##### 2nd ANIMAL

**Near Side (Plate 3) :**

Carrier Charging Set 80 watt No. 1 .. .. .	8 lbs.
Charging Set Lightweight 80 watt .. .. .	53 with petrol
1 gallon petrol and can .. .. .	10
1 quart oil and can .. .. .	5
Spares Box .. .. .	5
	81 lbs.

**Off Side (Plate 4) :**

Carrier Charging Set 80 watt No. 1 .. .. .	8 lbs.
2 Reels Cable .. .. .	28
Remote Control .. .. .	10
Cases Spare Valve .. .. .	5
Satchel .. .. .	6
Satchel .. .. .	6
	63 lbs.

CHAPTER II.

VEHICLE/ANIMAL/CONVERSION STATION

1st ANIMAL

Near Side (Plate 1):

Carriers Set No. 40 .. .. .	15½ lbs.
62 Set .. .. .	29
Batt. Secy. Port. 12 V 22 Ah .. .. .	35
	<hr/>
	79½ lbs.

Off Side (Plate 2):

Carriers Batt. Secy. Port No. 9 .. .. .	10 lbs.
Batt. Secy. Port 12 V 22 Ah .. .. .	35
Satchel Signal.. .. .	6
Bags Aerial Gear No. 2 .. .. .	26½
	<hr/>
	77½ lbs.

2nd ANIMAL

Near Side (Plate 3):

Carrier Charging Set 80 watt No. 1 .. .. .	8 lbs.
Charging Set Lightweight 80 watt .. .. .	53 with petrol
1 gallon petrol and can .. .. .	10
1 quart oil and can .. .. .	5
Spares Box .. .. .	5
	<hr/>
	81 lbs.

Off Side (Plate 4):

Carrier Charging Set 80 watt No. 1 .. .. .	8 lbs.
2 Reels Cable .. .. .	28
Remote Control .. .. .	10
Cases Spare Valve .. .. .	5
Satchel .. .. .	6
Satchel .. .. .	6
	<hr/>
	63 lbs.

3rd ANIMAL

Near Side (Plate 5):

Carrier Generating Set No. 12 .. .. .	11½ lbs.
Pedal Generator .. .. .	31
Everest Carrier .. .. .	4½
	<hr/>
	47 lbs.

Off Side (Plate 6):

Carrier No. 8 .. .. .	11½ lbs.
2 Batt. Secy. Port 12 V 14 Ah .. .. .	47
	<hr/>
	58½ lbs.

## **CHAPTER III**

### **CONVERSION KIT INSTALLATION**

The following additional fittings have to be made when carrying equipment for man pack station in addition to the vehicle and animal station.

**23. Brackets Supporting L.H. No. 2 (Fig. 4)**

Drill holes in rear side of vehicle (left) to line up with the holes in Brackets Supporting L.H. No. 2. Secure with bolts provided.

**24. Brackets Supporting R.H. No. 2 (Fig. 4).**

Drill holes in rear side of vehicle (right) to line up with holes in Brackets Supporting R.H. No. 2. Secure with bolts provided.

**25. Carriers No. 8 (Fig. 5)**

Place Carriers No. 8 between Brackets Supporting L.H. No. 2 and Brackets Supporting R.H. No. 2. Secure Carrier by the "trunk" fasteners.

**26. Brackets Mounting No. 64A (Fig. 4)**

On the rear end of the left wheel arch drill 3 holes to line up with the holes in Brackets Mounting No. 64A. Secure with nuts provided.

**27. Brackets Mounting No. 64B (Fig. 4)**

On the front end of left wheel arch drill 3 holes to line up with holes in Bracket Mounting No. 64B. Secure with nuts provided.

**28. Carriers Generating Sets No. 12 and Carriers No. 8  
(Fig. 5)**

Place Carriers Generating Sets No. 12 between the Brackets Mounting No. 64A and No. 64B.

**NOTE :** The plungers on the end of the Carrier Generating Sets No. 12 should first be located in the holes in the Brackets Mounting No. 64B. The carrier should then be secured by the trunk fasteners.

Similarly instal the Carrier No. 8 on Brackets Supporting R.H. and L.H. No. 2 at the rear of the vehicle.

Stow the items required for the man pack conversion in the Carrier No. 8 and Carrier Generating Set No. 12 as shown in Fig. 6.

**APPENDIX**

*Wireless Stations No. 62 in Cars 5 cwt. 4 x 4/Animal Pack/Man Pack*

**TABLE OF BOLTS**

Fitting	Bolted to	Bolts used
Plates Aerial Base Mounting No. 3 Aerial Base No. 10 Mk. II	Brackets Aerial Base Mounting No. 6 Plates Mounting No. 3	4— $\frac{1}{2}$ " B.S.F. nuts and washers 6— $\frac{1}{2}$ " B.S.F. x $\frac{1}{4}$ " bolts with nuts and washers 4— $\frac{1}{2}$ " B.S.F. x $\frac{1}{4}$ " bolts secured by nuts and washers
Brackets Aerial Base Mounting No. 6 Brackets Mounting No. 64A (Top plates) Brackets Mounting No. 64A (complete) Brackets Mounting No. 64B (Top) Brackets Mounting No. 64B (complete) Clamps Carrier No. 2	Vehicle side Vehicle floor Vehicle mudguard Vehicle floor Vehicle mudguard Vehicle floor	3— $\frac{1}{2}$ " whit. nuts and washers 2— $\frac{1}{2}$ " whit. nuts and washers 3— $\frac{1}{2}$ " whit. nuts and washers 3— $\frac{1}{2}$ " whit. nuts and washers 2— $\frac{1}{2}$ " B.S.F. c.s.k. x 1" bolts with nuts and washers on each clamp
Brackets Mounting No. 64A (complete) Brackets Mounting No. 64B (complete) Brackets Supporting L.H. No. 2 Brackets Supporting R.H. No. 2	<p align="center"><b>CONVERSION KIT</b></p> Vehicle mudguard Vehicle mudguard Rear inside vehicle Rear inside vehicle	2— $\frac{1}{2}$ " whit. nuts and washers 3— $\frac{1}{2}$ " whit. nuts and washers 2— $\frac{1}{2}$ " whit. x 1" bolts with nuts and washers 2— $\frac{1}{2}$ " whit. x 1" bolts with nuts and washers



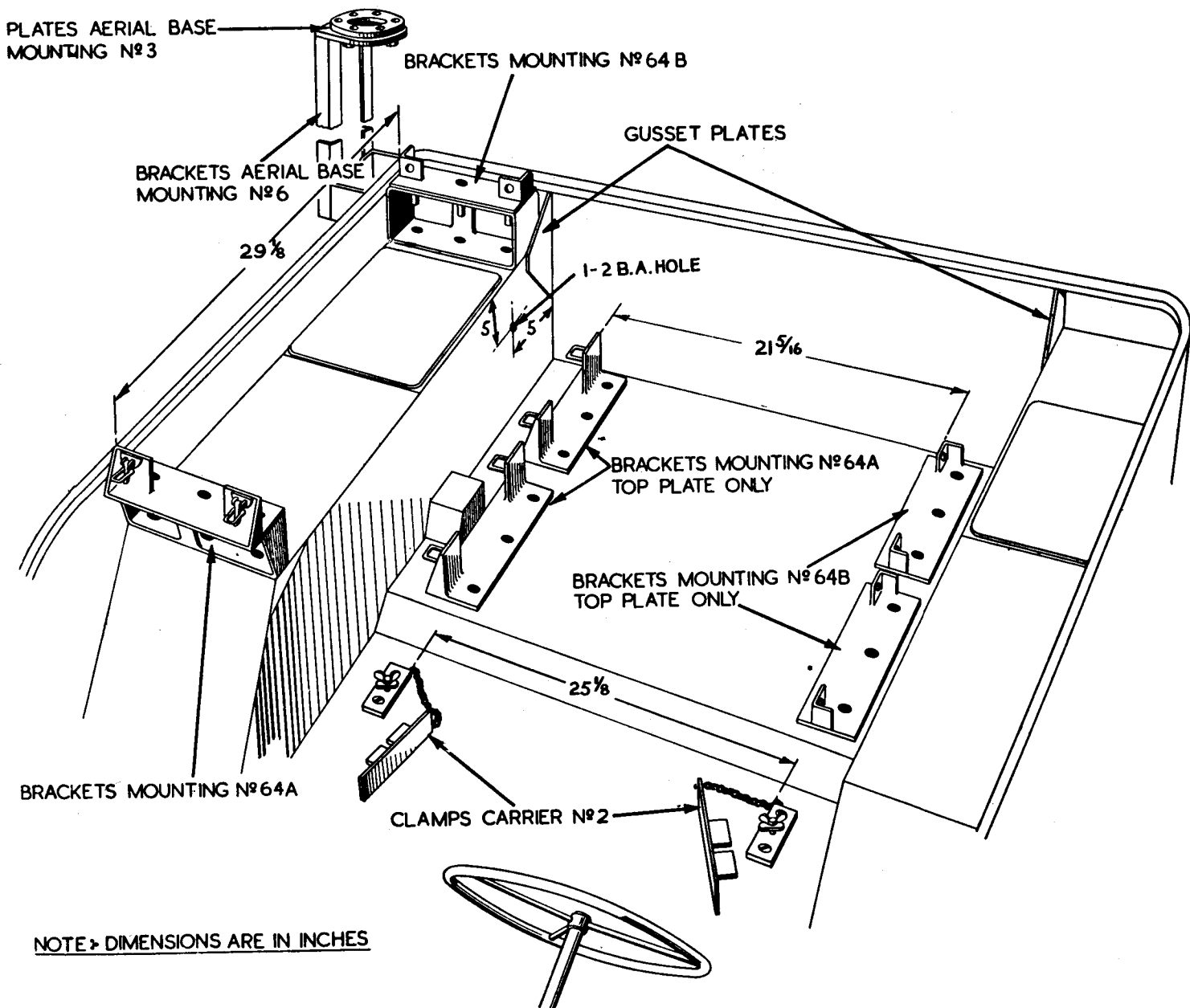
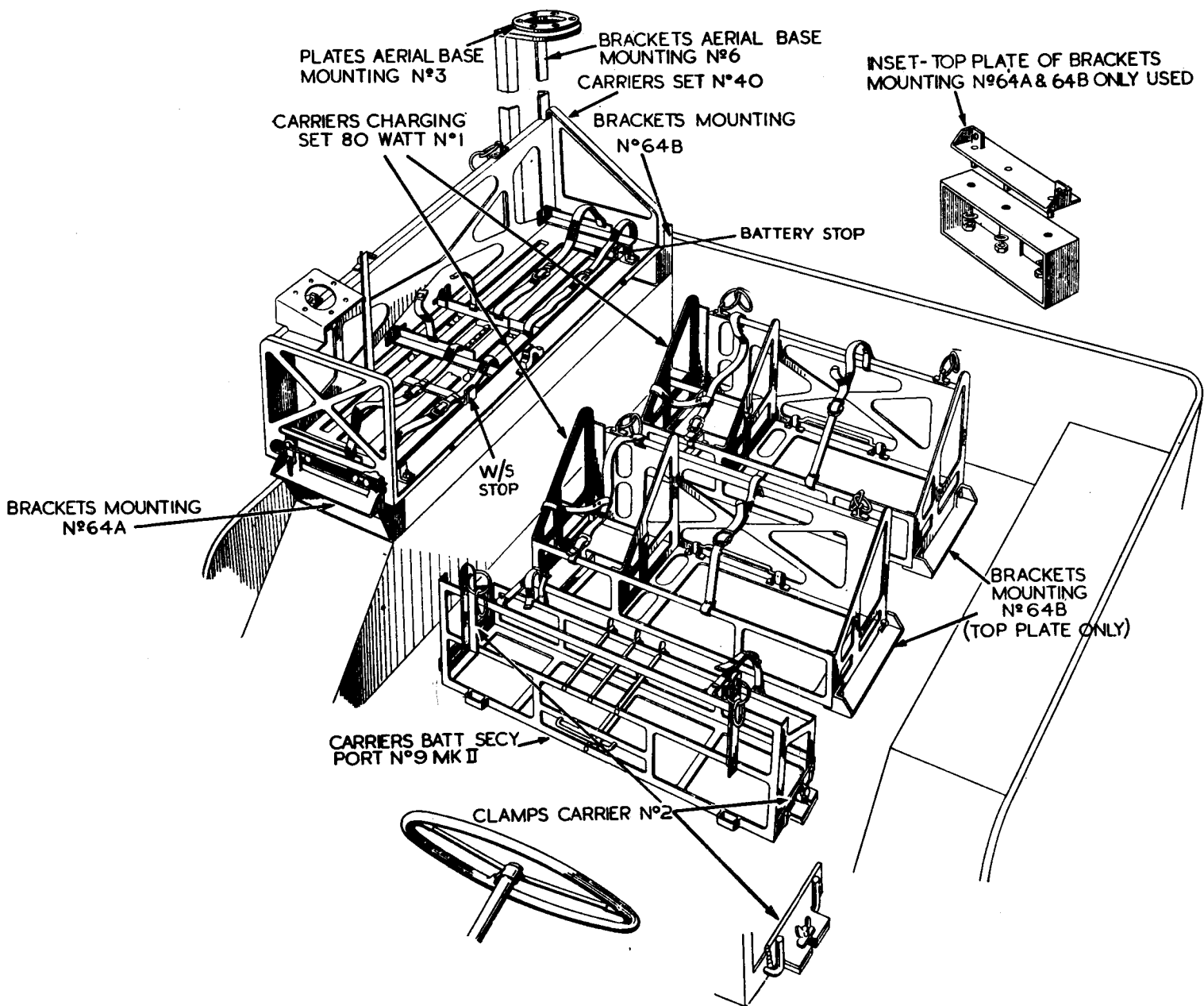
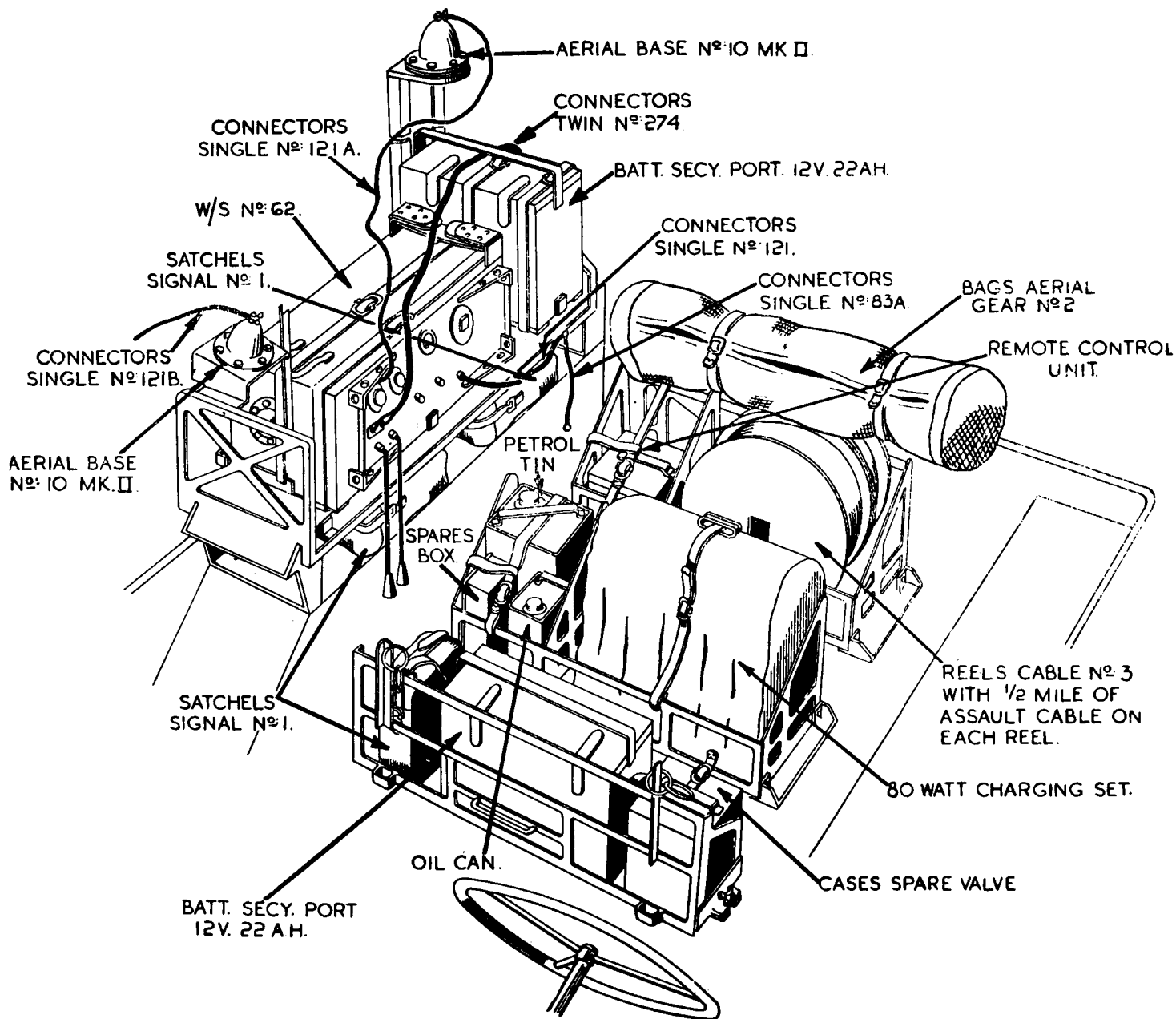


FIG. 1—WIRELESS STATIONS No. 62  
CARS 5 CWT. 4 x 4/ANIMAL PACK  
Brackets fitted in vehicle



**FIG. 2—WIRELESS STATIONS No. 62**  
**CARS 5 CWT. 4 x 4/ANIMAL PACK**  
 Carriers fitted in vehicle



**FIG. 3—WIRELESS STATIONS No. 62  
 CARS 5 CWT. 4 x 4/ANIMAL PACK**

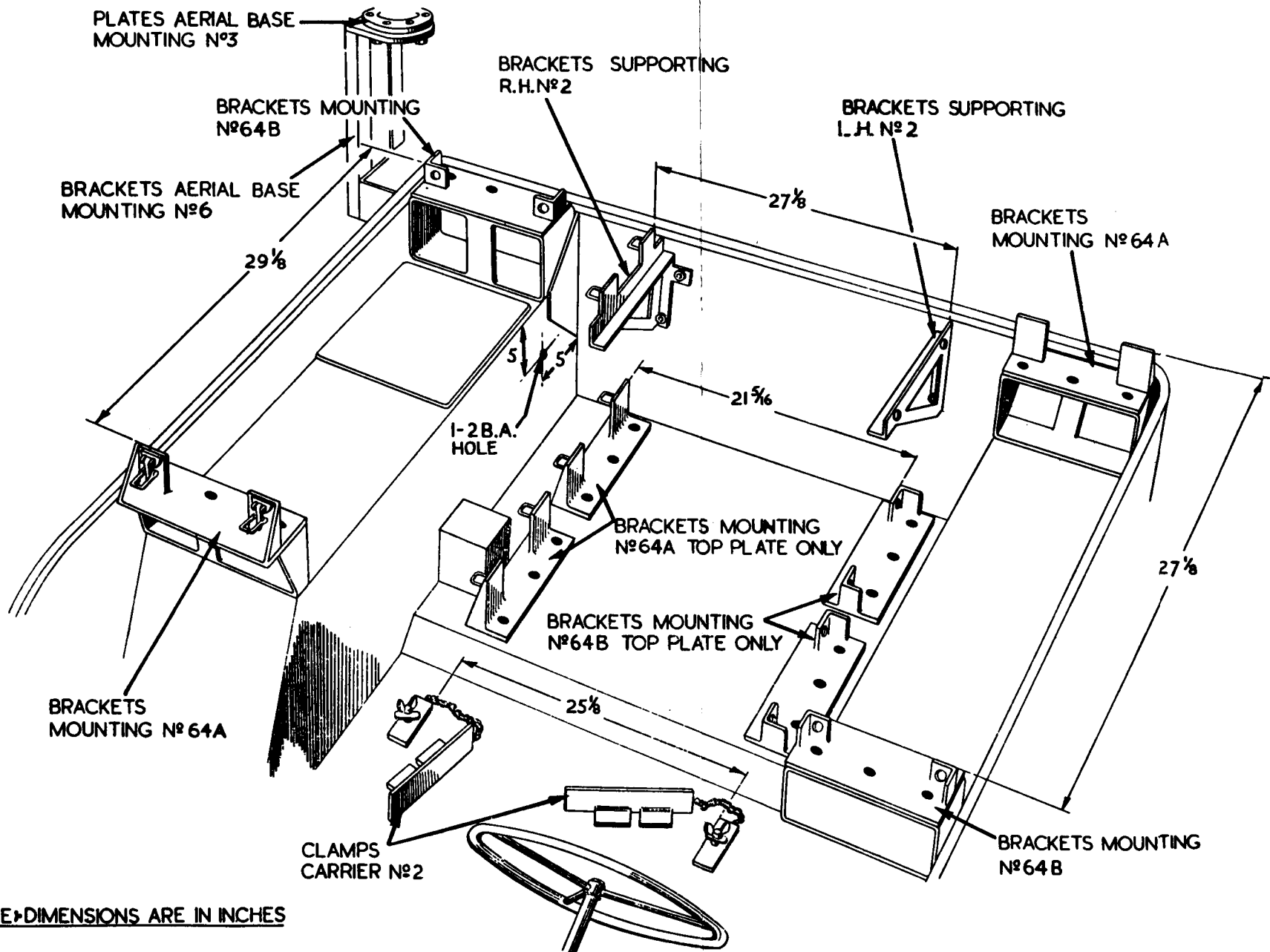
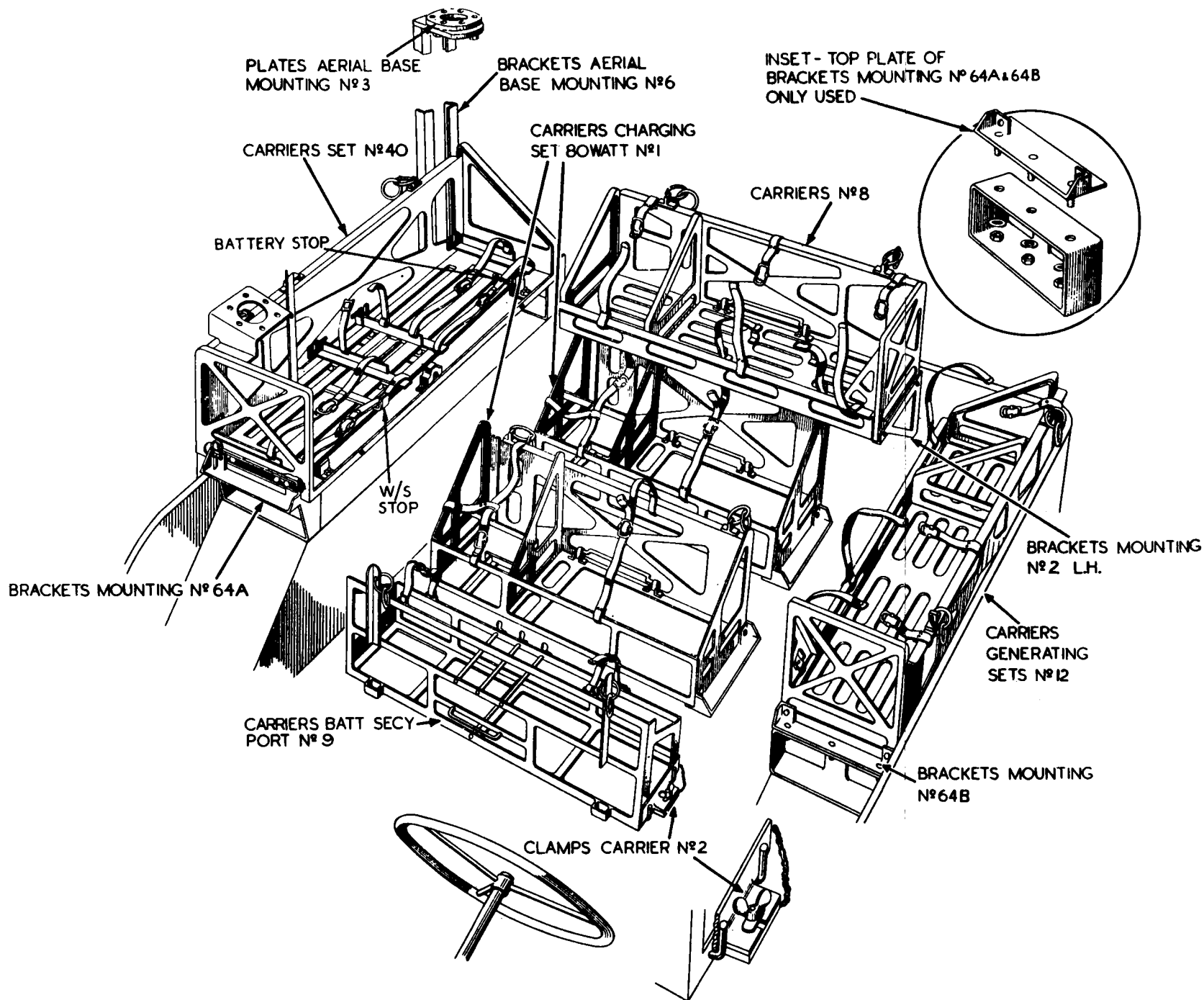


Fig. 4—WIRELESS STATIONS No. 62  
 CARS 5 CWT. 4 x 4/ANIMAL PACK/MAN PACK  
 Brackets fitted in Vehicle



**FIG. 5—WIRELESS STATIONS No. 62**  
**CARS 5 CWT. 4 x 4/ANIMAL PACK/MAN PACK**  
 Carriers fitted in vehicle

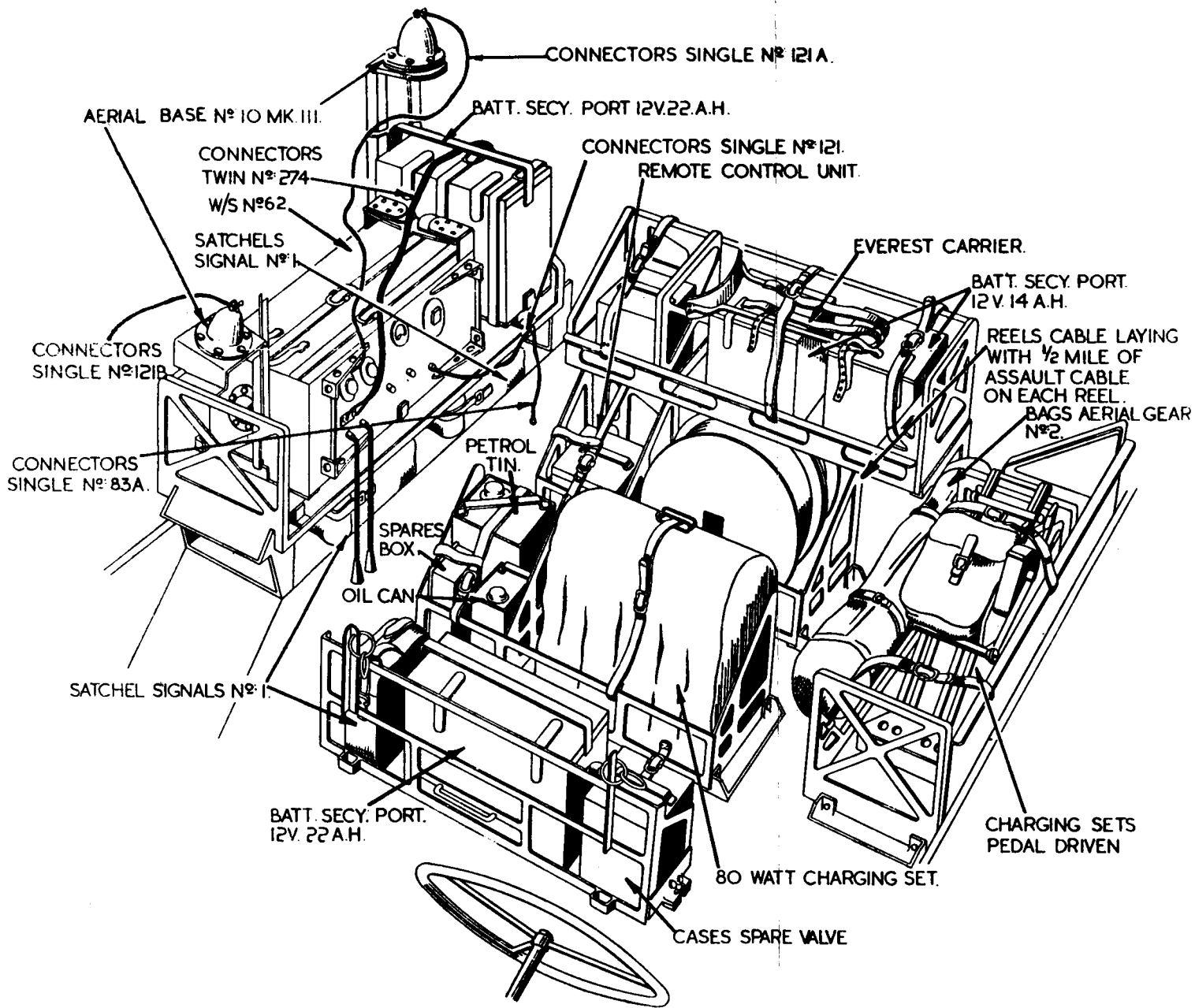


FIG. 6—WIRELESS STATIONS No. 62  
 CARS 5 CWT. 4 x 4/ANIMAL PACK/MAN PACK  
 Complete equipment in vehicle

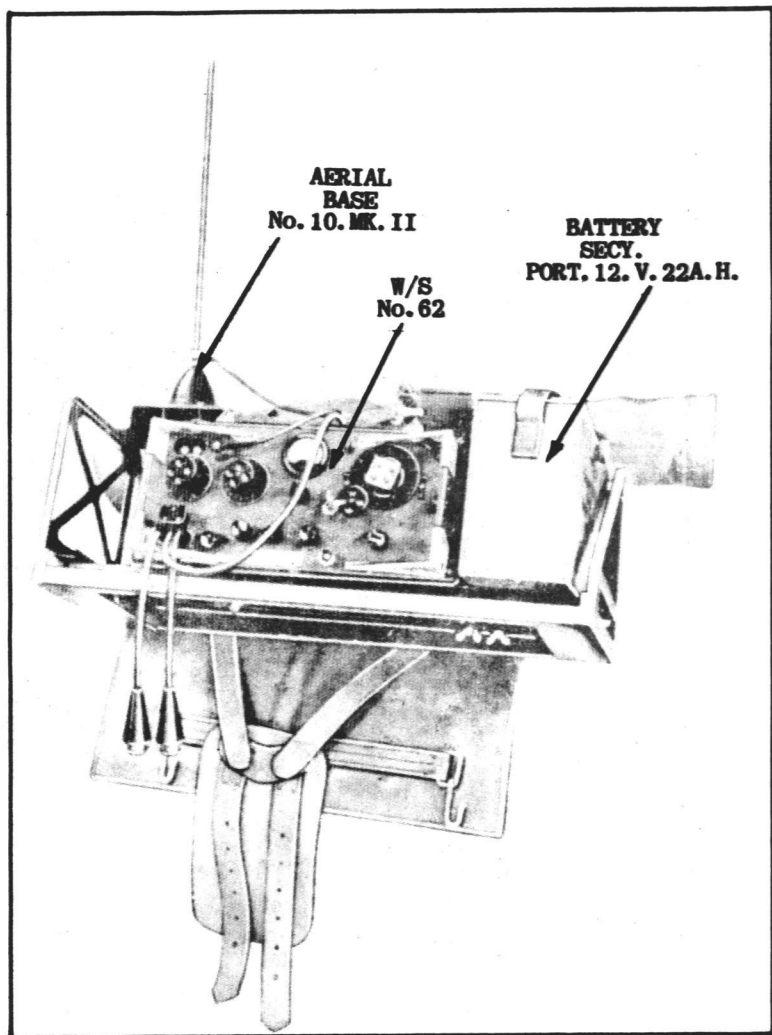
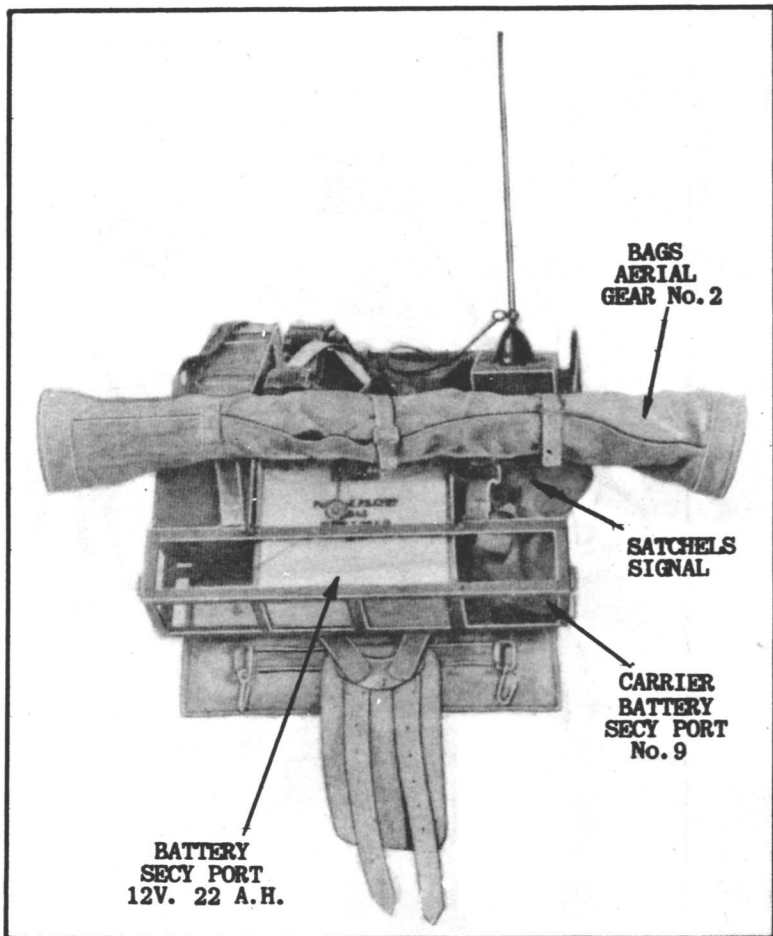


PLATE 1  
FIRST ANIMAL—NEAR SIDE



**PLATE 2**  
**FIRST ANIMAL—OFF SIDE**

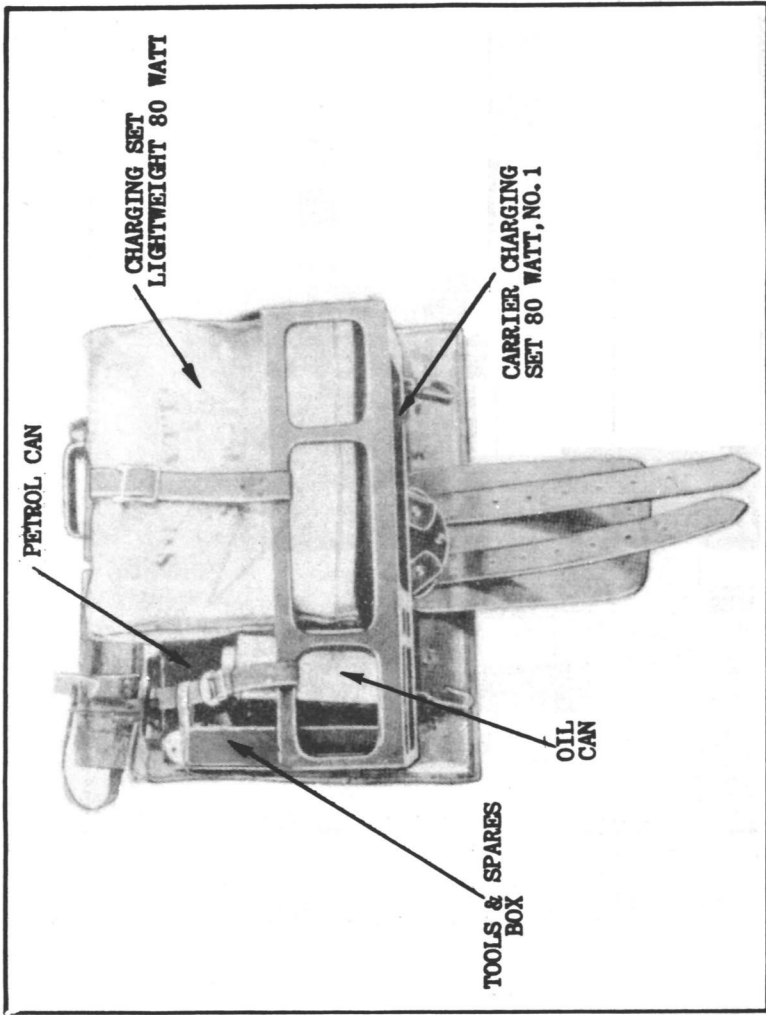
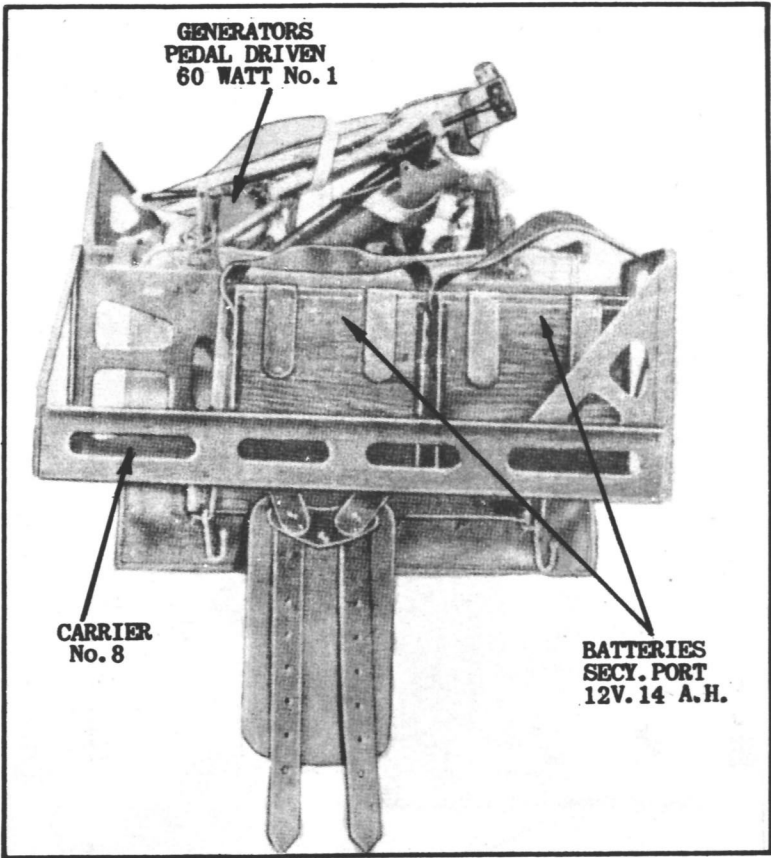
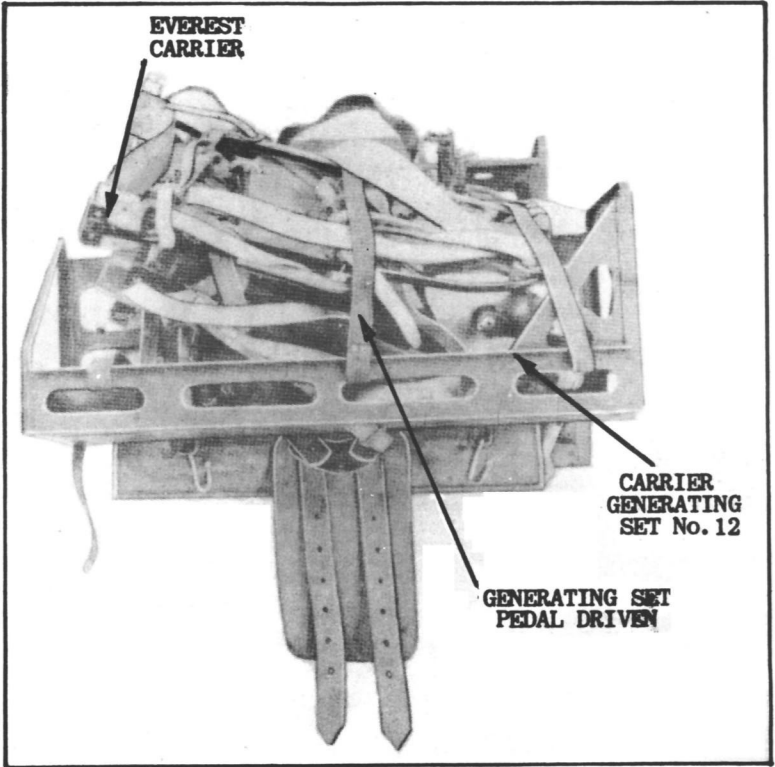


PLATE 3  
SECOND ANIMAL—NEAR SIDE



**PLATE 4**  
**SECOND ANIMAL—OFF SIDE**



**PLATE 5**  
**THIRD ANIMAL—NEAR SIDE**

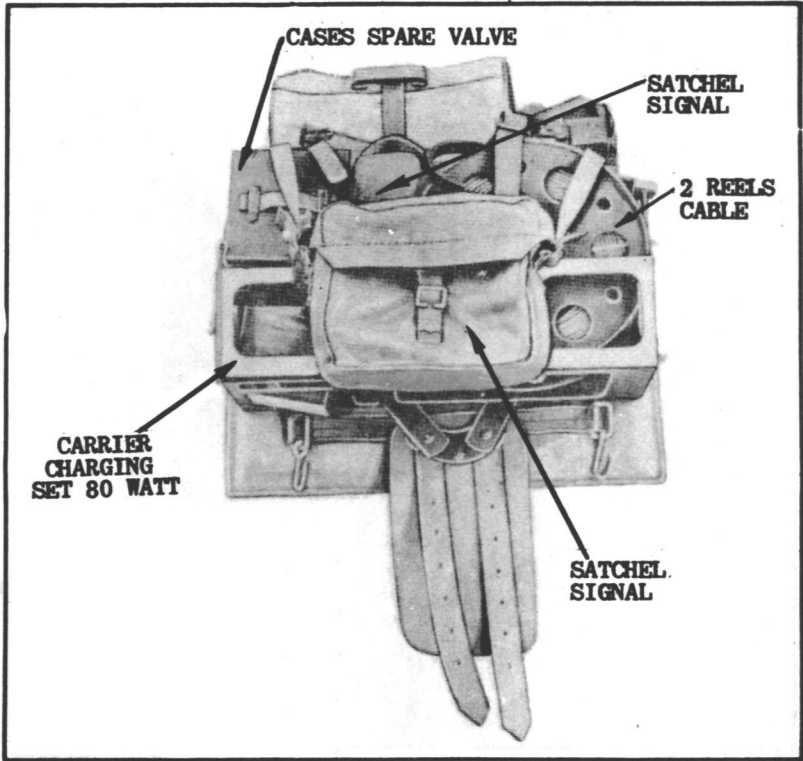


PLATE 6  
THIRD ANIMAL—OFF SIDE