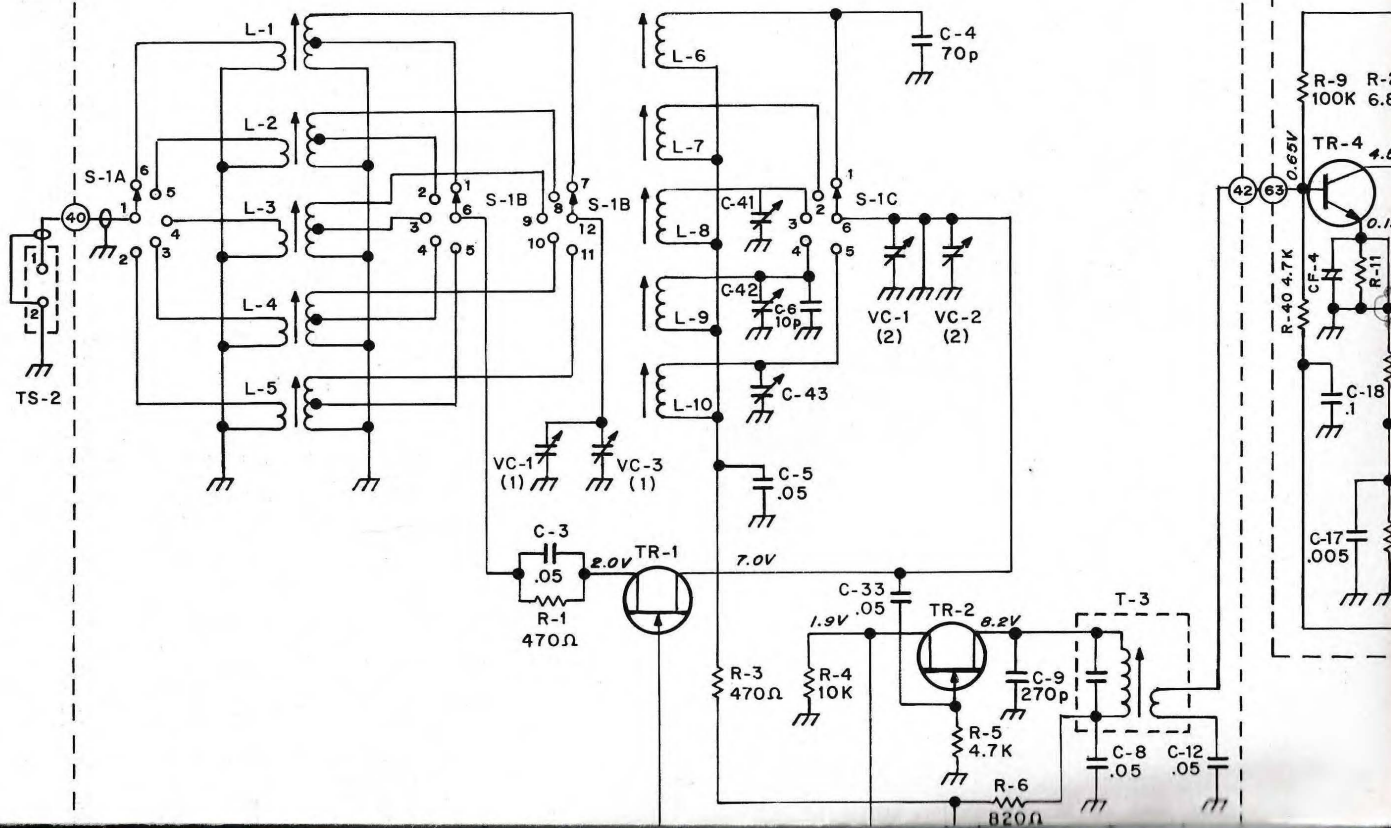
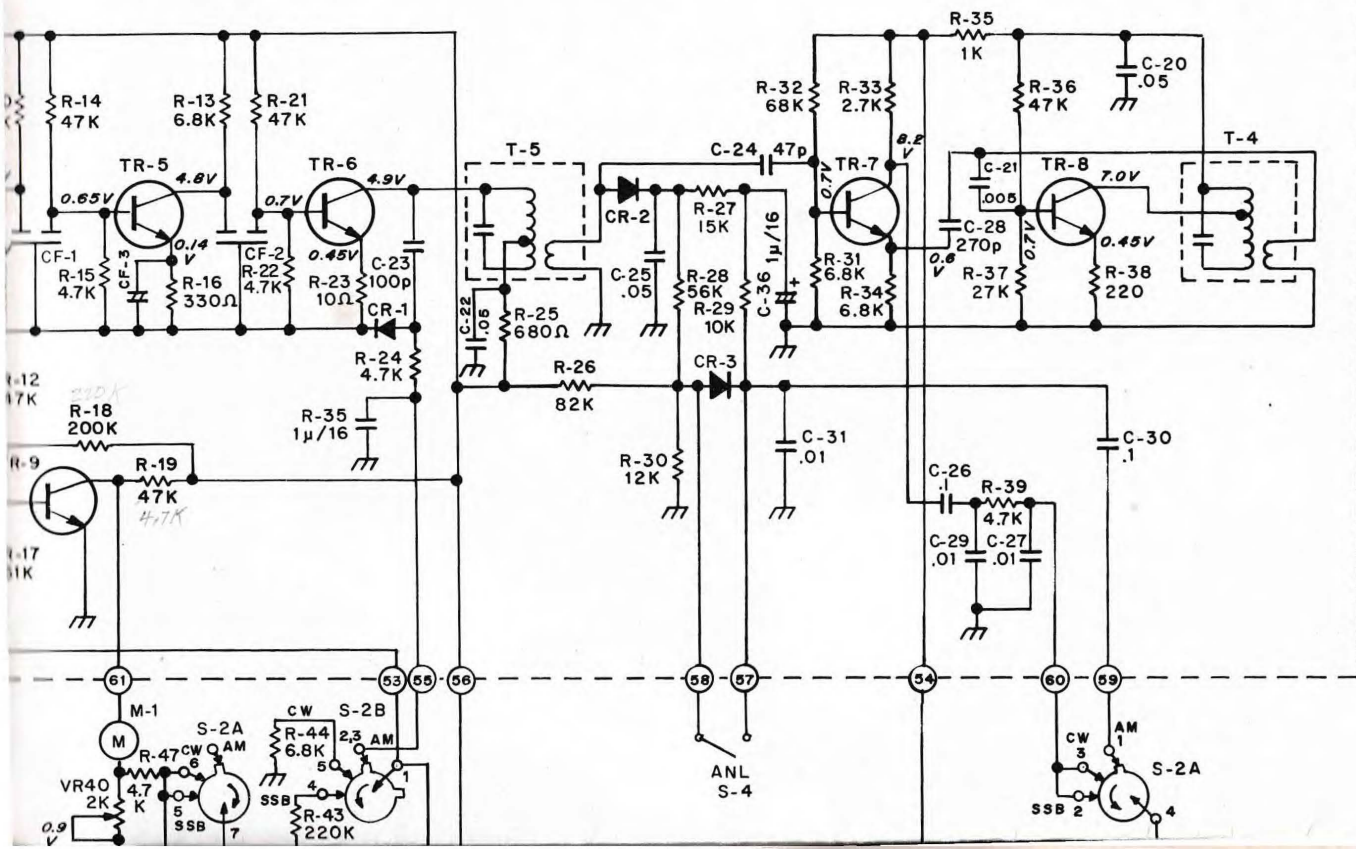


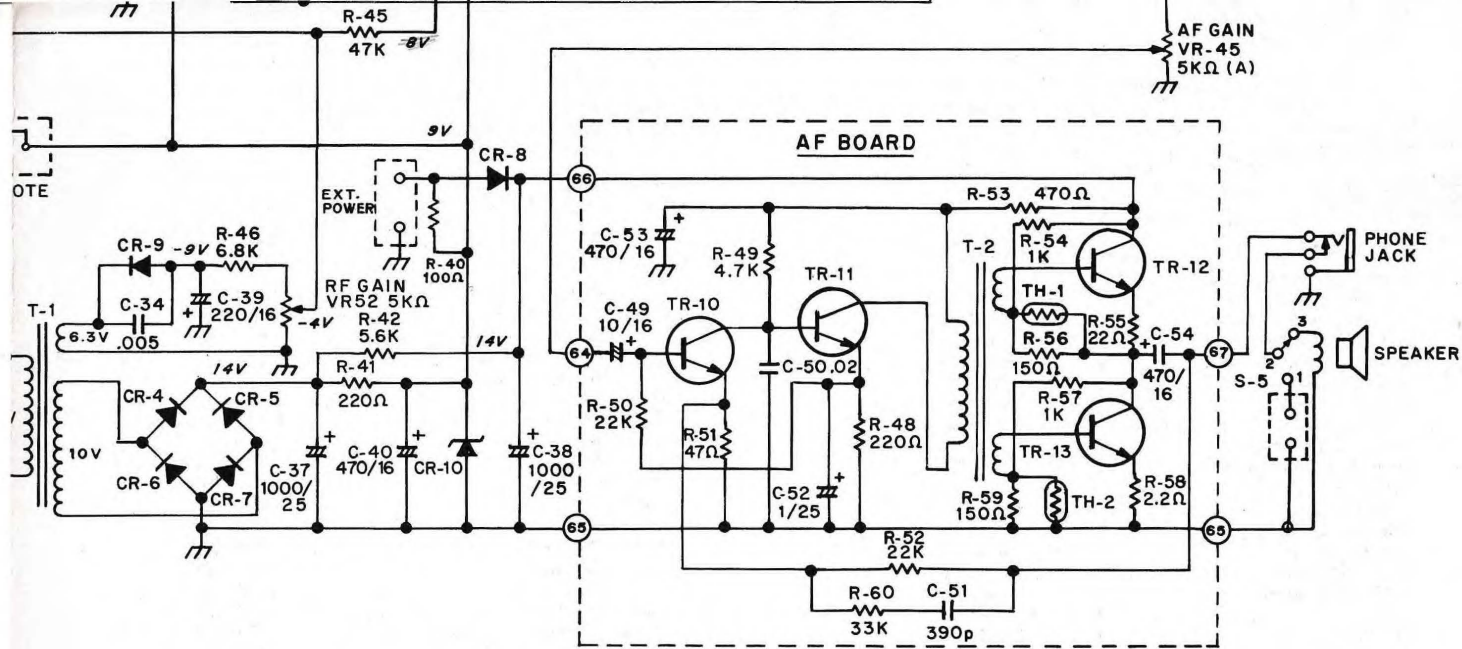
RF BOARD



### IF BOARD



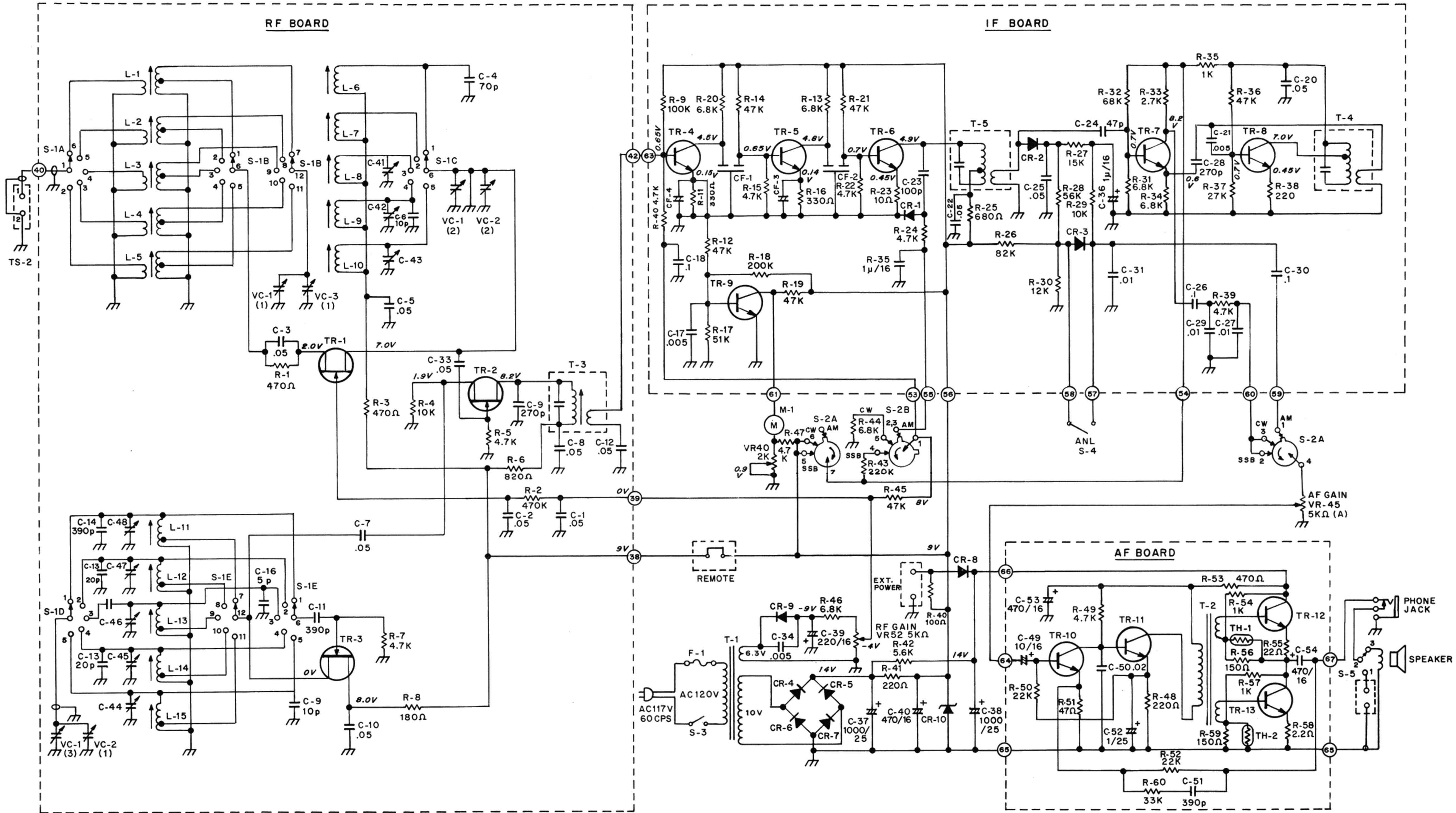




DIAGRAM

RF BOARD

IF BOARD



## CAPACITORS

Symbol	Description	Part No.
C-32	0.002 $\mu$ f, 600-volt disc	D604-179
C-33	0.05 $\mu$ f, 600-volt disc	D604-180
C-34	0.005 $\mu$ f, 600-volt disc	D604-181
C-35		
C-36		
C-37	1000 $\mu$ f, 25-volt electrolytic	D604-182
C-38	1000 $\mu$ f, 25-volt electrolytic	D604-182
C-39	220 $\mu$ f, 16-volt electrolytic	D604-183
C-40	470 $\mu$ f, 16-volt electrolytic	D604-184
VC-1	Main Tuning variable capacitor	D604-185
VC-2	Bandsread variable capacitor	D604-186
VC-3	Antenna variable capacitor	D604-187

## DIODES

CR-4	DS-16C power rectifier	A604-129
CR-5	DS-16C power rectifier	A604-129
CR-6	DS-16C power rectifier	A604-129
CR-7	DS-16C power rectifier	A604-129
CR-8	DS-16C power rectifier	A604-129
CR-9	DS-16C power rectifier	A604-129
CR-10	IN757 zener diode	A604-130

## RESISTORS

All resistors are  $\frac{1}{2}$ -watt, 10% carbon unless otherwise stated.

R-40	100 ohm	B520-100
R-41	220 ohm	B520-220
R-42	5.6 ohm	B520-5.6
R-43	220K	B520-220K
R-44	6.8K	B520-6.8K
R-45	47K	B520-47K
R-46	6.8K	B520-6.8K
R-47	4.7K	B520-4.7K
VR-40	2K meter adjust control—392234 (with hardware)	C604-122
VR-45	5K AF Gain Control—392248 (with hardware)	C604-123
VR-52	5K RF Gain Control—392249 (with hardware)	C604-124

## SWITCHES

S-1	Bandswitch (with hardware)	E604-125
S-2	Mode switch (with hardware)	E604-126
S-3	ANL	E604-127
S-4	Power	E604-128
S-5	Speaker/Remote	E604-129

## TRANSFORMER

## HARDWARE

Description	Quantity	Part No.
Package: consisting of		F604-156
"E" washer	4	
Nuts:		
3-48	5	
4-40	10	
6-32	14	
9 mm	5	
$\frac{3}{8}$ "	9	
Screws:		
3-48 x $\frac{1}{2}$ "	5	
4-40 x $\frac{5}{32}$ "	3	
4-40 x $\frac{1}{4}$ "	35	
4-40 x $\frac{1}{2}$ "	14	
6-32 x $\frac{1}{4}$ "	20	
6-32 x $\frac{3}{8}$ "	8	
Solder lug	2	
Spacer, long	4	
Spacer, medium	4	
Spacer, short	14	
Washers:		
#4 lock	51	
#6 lock	24	
$\frac{3}{8}$ " flat (thick)	6	
$\frac{3}{8}$ " flat (thin)	8	

## WIRE SOLDER and TUBING

Miscellaneous wire package: consisting of	W604-164
Line Cord	1
Bare wire, 9'	1
Hook-up wire:	
2" red	2
2 $\frac{1}{2}$ " white/red	6
3 $\frac{1}{2}$ " white/orange	3
4" yellow	2
4 $\frac{1}{2}$ " white/yellow	4
5 $\frac{1}{2}$ " white/green	3
6 $\frac{1}{2}$ " white/blue	5
8" gray	4
10" brown	1
11" white/brown	4
12" white	2
12" blue	1
12" white/red	3
12" gray	1
13" white/orange	1
14" white/yellow	1
15" white/green	1
Shielded cable:	

# S LIST

## I.F. Printed Circuit Board pre-wired assembly

U604-104

Symbol	Description	Part No.
Consisting of		
Printed circuit board		T604-114
C-17	0.005 $\mu$ f, 50-volt disc capacitor	D604-193
C-18	0.1 $\mu$ f, 50-volt disc	D604-194
C-19	not used	
C-20	0.05 $\mu$ f, 50-volt disc	D604-195
C-21	0.005 $\mu$ f, 50-volt disc	D604-193
C-22	0.05 $\mu$ f, 50-volt disc	D604-195
C-23	100 pf, 50-volt disc	D604-196
C-24	47 pf, 50-volt disc	D604-197
C-25	0.05 $\mu$ f, 50-volt disc	D604-195
C-26	0.1 $\mu$ f 50-volt disc	D604-194
C-27	0.01 $\mu$ f, 50-volt disc	D604-198
C-28	270 pf, 50-volt disc	D604-199
C-29	0.01 $\mu$ f, 50-volt disc	D604-200
C-30	0.1 $\mu$ f, 50-volt disc	D604-194
C-31	0.01 $\mu$ f, 50-volt disc	D604-200
C-35	1 $\mu$ f, 16-volt electrolytic	D604-201
C-36	1 $\mu$ f, 16-volt electrolytic	D604-201
CF-1	SF-455B Ceramic Filter	D604-202
CF-2	SF-455B Ceramic Filter	D604-202
CF-3	BF-455A Ceramic Filter	D604-264
CF-4	BF-455B Ceramic Filter	D604-264
CR-1	1N60 diode	A604-125
CR-2	1N60 diode	A604-125
CR-3	1N60 diode	A604-125

Note: All resistors are  $\frac{1}{2}$ -watt, 10% carbon, unless stated otherwise.

R-9	100K	B520-100K
R-10	4.7K	B520-4.7K
R-11	330 ohm	B520-330
R-12	47K	B520-47K
R-13	6.8K	B520-6.8K
R-14	47K	B520-47K
R-15	4.7K	B520-4.7K
R-16	330 ohm	B520-330
R-17	51K	B520-51K
R-18	220K	B520-220K
R-19	4.7K	B520-4.7K
R-20	6.8K	B520-6.8K
R-21	47K	B520-47K
R-22	4.7K	B520-4.7K
R-23	10 ohm	B520-10
R-24	4.7K	B520-4.7K
R-25	680 ohm	B520-680

## R.F. Printed Circuit Board pre-wired assembly

U604-105

Symbol	Description	Part No.
Consisting of		
Printed circuit board		T604-115
C-1	0.05 $\mu$ f, 50-volt disc capacitor	D604-195
C-2	0.05 $\mu$ f, 50-volt disc	D604-195
C-3	0.05 $\mu$ f, 50-volt disc	D604-195
C-4	70 pf, 50-volt disc	D604-203
C-5	0.05 $\mu$ f, 50-volt disc	D604-195
C-6	10 pf, 50-volt disc	D604-204
C-7	0.05 $\mu$ f, 50-volt disc	D604-195
C-8	0.05 $\mu$ f, 50-volt disc	D604-195
C-9	270 pf, 50-volt disc	D604-195
C-10	0.05 $\mu$ f, 50-volt disc	D604-195
C-11	390 pf, 50-volt disc	D604-190
C-12	0.05 $\mu$ f, 50-volt disc	D604-195
C-13	20 pf, 50-volt disc	D604-165
C-14	390 pf, 50-volt disc	D604-190
C-15	20 pf, 50-volt disc	D604-165
C-16	5 pf, 50-volt disc	D604-205
C-19	20 pf, 50-volt disc	D604-265
C-41	4-15 pf piston trimmer	D604-206
C-42	4-15 pf piston trimmer	D604-206
C-43	4-15 pf piston trimmer	D604-206
C-44	4-15 pf piston trimmer	D604-206
C-45	4-15 pf piston trimmer	D604-206
C-46	4-15 pf piston trimmer	D604-206
C-47	4-15 pf piston trimmer	D604-206
C-48	4-15 pf piston trimmer	D604-206

L-1	Band A Antenna Coil (black)	P604-148
L-2	Band B Antenna Coil (red)	P604-149
L-3	Band C Antenna Coil (yellow)	P604-150
L-4	Band D Antenna Coil (blue)	P604-151
L-5	Band E Antenna Coil (white)	P604-152
L-6	Band A Mixer Coil (black)	P604-153
L-7	Band B Mixer Coil (red)	P604-154
L-8	Band C Mixer Coil (yellow)	P604-155
L-9	Band D Mixer Coil (blue)	P604-156
L-10	Band E Mixer Coil (white)	P604-157
L-11	Band A Oscillator Coil (black)	P604-158
L-12	Band B Oscillator Coil (red)	P604-159
L-13	Band C Oscillator Coil (yellow)	P604-160
L-14	Band D Oscillator Coil (blue)	P604-161
L-15	Band E Oscillator Coil (white)	P604-162

Note: All resistors are  $\frac{1}{2}$ -watt, 10% carbon, unless stated otherwise.

R-1	470 ohm	B520-470
R-2	470K	B520-470K