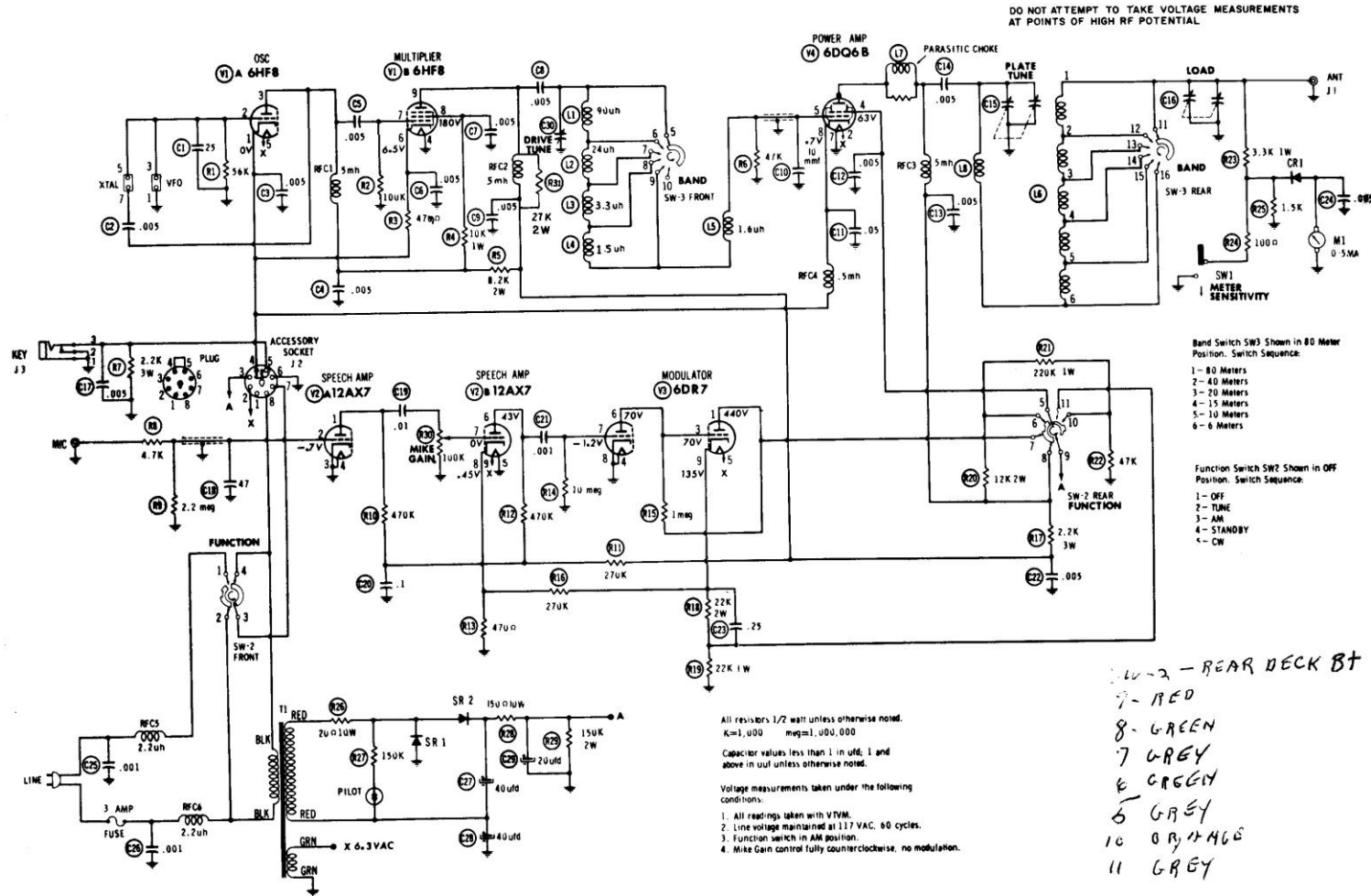


SCHEMATIC



DO NOT ATTEMPT TO TAKE VOLTAGE MEASUREMENTS AT POINTS OF HIGH RF POTENTIAL

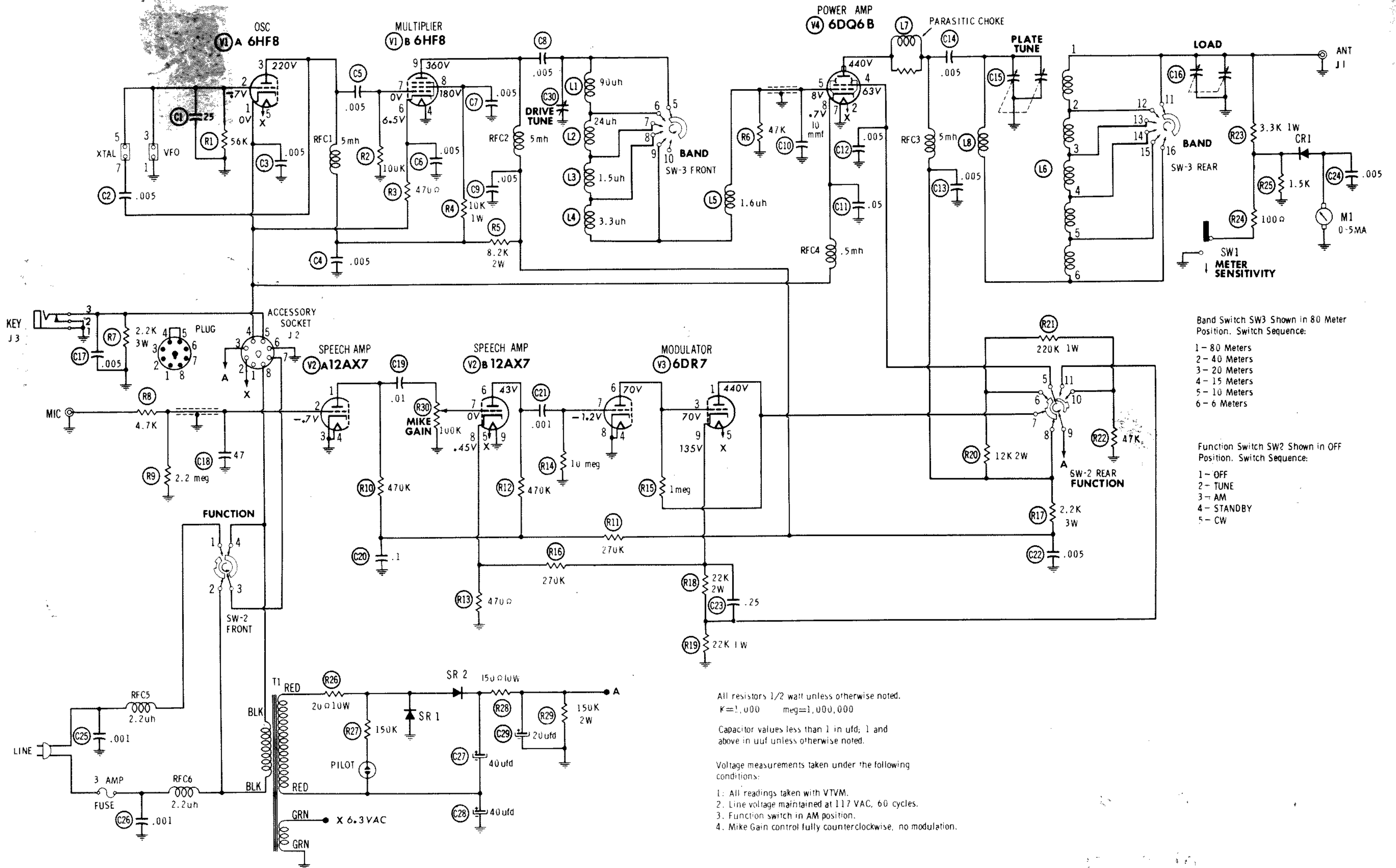
- Band Switch SW3 Shown in 80 Meter Position. Switch Sequence:
- 1 - 80 Meters
 - 2 - 40 Meters
 - 3 - 20 Meters
 - 4 - 15 Meters
 - 5 - 10 Meters
 - 6 - 6 Meters
- Function Switch SW2 Shown in OFF Position. Switch Sequence:
- 1 - OFF
 - 2 - TUNE
 - 3 - AM
 - 4 - STANDBY
 - 5 - CW

All resistors 1/2 watt unless otherwise noted.
 K=1,000 meg=1,000,000
 Capacitor values less than 1 in ufd; 1 and above in uuf unless otherwise noted.
 Voltage measurements taken under the following conditions:
 1. All readings taken with VTVM.
 2. Line voltage maintained at 117 VAC, 60 cycles.
 3. Function switch in AM position.
 4. Mike Gain control fully counterclockwise, no modulation.

10-2 - REAR DECK BT
 7- RED
 8- GREEN
 7- GREY
 6- GREEN
 5- GREY
 10- ORANGE
 11- GREY

OUTPUT MTR
 2" X 3/4" 0-5 m

SCHEMATIC



Handwritten note: 2nd 701

TROUBLE	POSSIBLE CAUSE	SERVICE PROCEDURE
Erratic antenna loading	Poor ground connection.	Check connection to ground.
	Bad antenna connection.	Check connections to antenna.
No modulation	Gain control not turned up.	Turn up gain control.
	Function switch set incorrectly.	Check setting of switch.
	Defective 12AX7 or 6DR7.	Replace defective tubes.
	Bad mike connection.	Check mike connection.
Television interference	Poor ground connection.	Check ground connection.
	Poor bond between chassis and cabinet.	Make sure chassis is tightly secured to cabinet.
	Transmitting antenna too close to TV antenna.	Separate antennas until no interference is present.

PARTS LIST

Symbol Number	Description	Part Number
CAPACITORS		
✓C1	25 μf, disc	296015
✓C2	.005 μf, disc	296000
✓C3	.005 μf, disc	296000
✓C4	.005 μf, disc	296000
✓C5	.005 μf, disc	296000
✓C6	.005 μf, disc	296000
✓C7	.005 μf, disc	296000
✓C8	.005 μf, disc	296000
✓C9	.005 μf, disc	296000
✓C10	10 μf, disc	296062
✓C11	.05 μf, disc	275506
✓C12	.005 μf, disc	296000
✓C13	.005 μf, disc	296000
✓C14	.005 μf, disc	296000
✓C15	Variable capacitor	286051
✓C16	Variable capacitor	286052
✓C17	.005 μf, disc	296000
✓C18	47 μf, disc	276479
✓C19	.01 μf, tubular	245015
✓C20	.1 μf, tubular	245014
✓C21	.001 μf, disc	276016
✓C22	.005 μf, disc	296000
✓C23	.25 μf, tubular	295003
✓C24	.005 μf, disc	296000
✓C25	.001 μf, disc	276016
✓C26	.001 μf, disc	276016
✓C27	40 μf, electrolytic 350 v	209051
✓C28	40 μf, electrolytic 350 v	209051
✓C29	20 μf, electrolytic 600 v	207200
✓C30	Variable capacitor	286053

RESISTANCE CHART

TUBE	PINS								
	1	2	3	4	5	6	7	8	9
V1 6HF8	0Ω	56K	100K 25K	0Ω	.1Ω	470Ω	100K	100K 40K	120K 7K
V2 12AX7	800K	2.2M 2M	0Ω	0Ω	0Ω	75K 200K	*	470Ω	.1Ω
V3 6DR7	INF	NC	INF	0Ω	.1Ω	INF	10 meg	0Ω	40K
V4 6DQ6B	NC	.1Ω	NC	100K 22K	47K	NC	0Ω	12Ω	100K top cap 15K

* Will vary with setting of Gain control.

Resistance readings were taken with common lead of the ohmmeter connected to chassis. FUNCTION switch in CW, and BAND switch in "80" position.

When taking these measurements be sure to use the correct ohmmeter polarity - the negative side connected to the chassis.

COILS

✓L1	90 μh, orange dot	162155
✓L2	90 μh, yellow dot	162154
✓L3	3.3 μh, red dot	162153
✓L4	1.5 μh, blue dot	162152
✓L5	1.6 μh	162151
✓L6	Tank coil	152151
✓L7	Parasitic choke	162002
✓L8	6-meter coil	152152

RESISTORS

✓R1	56K	301563
✓R2	100K	301104

207200

PARTS LIST

Symbol Number	Description	Part Number	Symbol Number	Description	Part Number
RESISTORS (Cont'd)			SWITCHES		
CR3	470Ω	301471	SW1	Meter sensitivity	431003
CR4	10K, 1 watt	304103	SW2	Function switch	437051
CR5	8.2K, 2 watt	307822	SW3	Band switch	437052
CR6	47K	301473	TERMINAL STRIPS		
CR7	2.2K, 3-watt wirewound	370000	TS-1	3-terminal	442403
CR8	4.7K	301472	TS-2	5-terminal	440502
CR9	2.2 meg	301225	TS-3	3-terminal	440301
CR10	470K	301474	TS-4	2-terminal	440201
CR11	270K	301274	TS-5	6-terminal	440601
CR12	470K	301474	TS-6	5-terminal	442952
CR13	470Ω	301471	TS-7	6-terminal	440601
CR14	10 meg	301106	TS-8	4-terminal	440401
CR15	1 meg	301105	TS-9	5-terminal	440501
CR16	270K	301274	TS-10	3-terminal	440302
CR17	2.2K, 3-watt wirewound	370000	TS-11	2-terminal	440202
CR18	22K, 2 watt	307223	TS-12	2-terminal	440201
CR19	22K, 1 watt	304223	TRANSFORMERS		
CR20	12K, 2 watt	307123	T1	Power transformer	107251
CR21	220K, 1 watt	304224		Export power transformer	179051
CR22	47K	301473	TUBES		
CR23	3.3K, 1 watt	304332	V1	6HF8	614151
CR24	100Ω	301101	V2	12AX7	611012
CR25	1.5K	301152	V3	6DR7	611033
CR26	20Ω, 10-watt wirewound	379051	V4	6DQ6B	614152
CR27	150K	301154			
CR28	150Ω, 10-watt wirewound	379052			
CR29	150K, 2 watt	307154			
CR30	100K control	392151			
CR31	27K	301273			

RF CHOKES		MISCELLANEOUS	
Symbol Number	Description	Description	Quantity
RFC1	5 mh	Bracket, "L"	1
RFC2	5 mh	Cabinet	1
RFC3	5 mh	Chassis	1
RFC4	.5 mh	Connector, mike	1
RFC5	2.2 μh	Fuse, 3 amp	1
RFC6	2.2 μh	Fuse holder	1
RECTIFIERS AND DIODES		Grommet, 1/4"	1
CR1	Diode	Grommet, 1/2"	2
SR1	Silicon rectifier	Instruction manual	3
SR2	Silicon rectifier	Jack, key	1
		Knob, large	2

470452
702052

