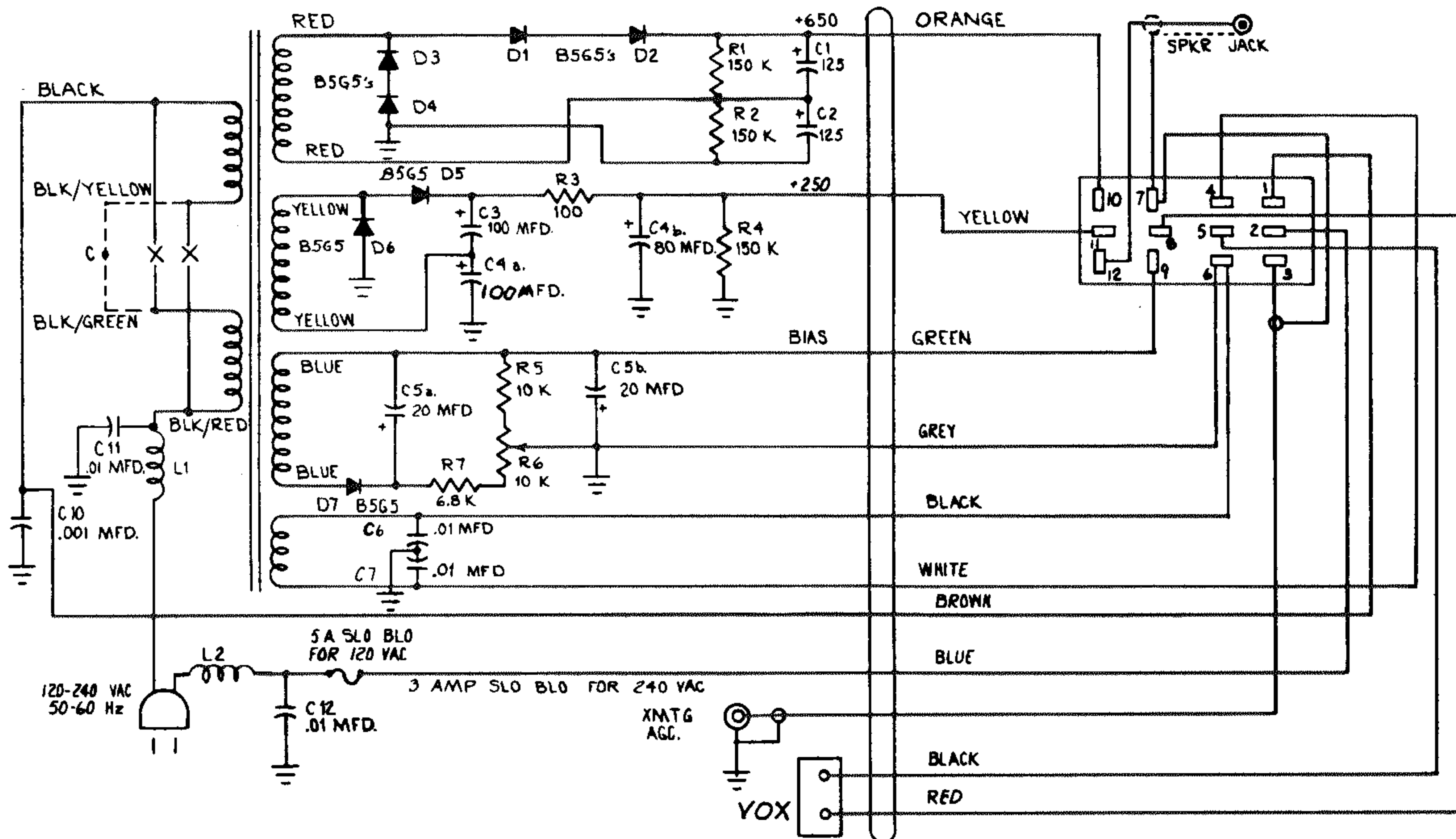


- NOTES**
1. CAPACITOR VALUES FROM 1.0 TO 3000 ARE IN  $\mu\text{F}$ , AND VALUES FROM .001 TO .47 ARE IN  $\mu\text{F}$  UNLESS OTHERWISE NOTED.
  2. RESISTORS ARE  $\frac{1}{2}$  WATT 10% UNLESS NOTED OTHERWISE.
  3. ALL RESISTORS IN VFO UNIT ARE  $\frac{1}{4}$  WATT.
  4. ALL ROTARY SWITCHES VIEWED FROM SHAFT END IN EXTREME CCW POSITION.
  5. HIGHEST RESISTOR R143
  6. HIGHEST CAPACITOR C194
  7. X VALUE SELECTED IN PRODUCTION

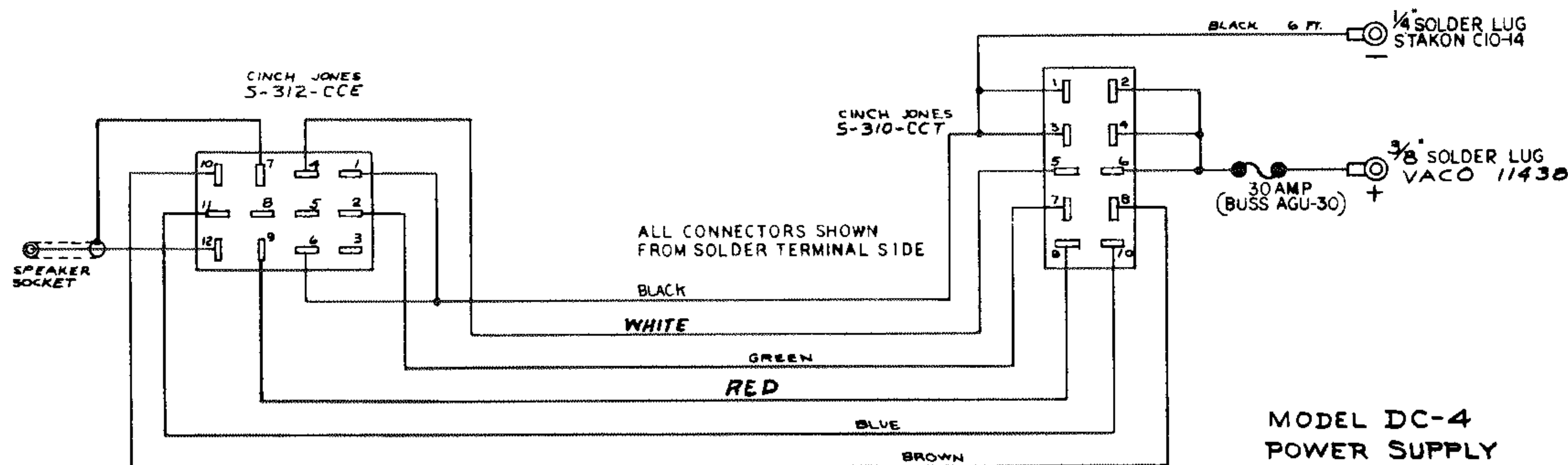
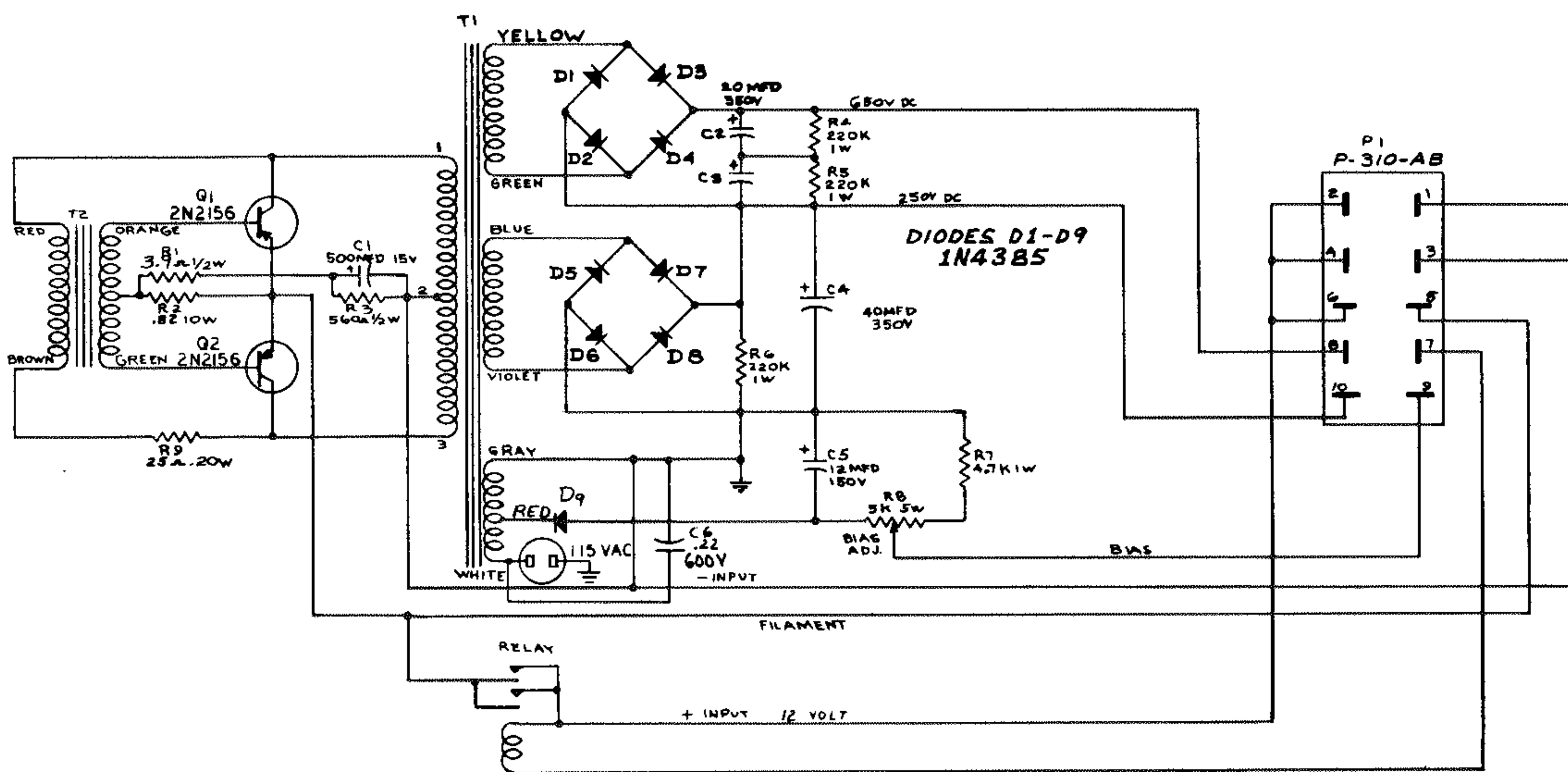
10077626670

Figure 5-4. Schematic Diagram



NOTE:  
FOR 240 VAC OPERATION DISCONNECT  
WIRES MARKED —X— AND  
CONNECT ----- AN EXTRA TERMINAL  
IS PROVIDED FOR CONNECTION G.

**MODEL AC-4 POWER SUPPLY**



8 FEET 6 CONDUCTOR CABLE  
BELDEN 8446

**MODEL DC-4  
POWER SUPPLY**

Figure 5-5. Power Supply Schematic Diagrams