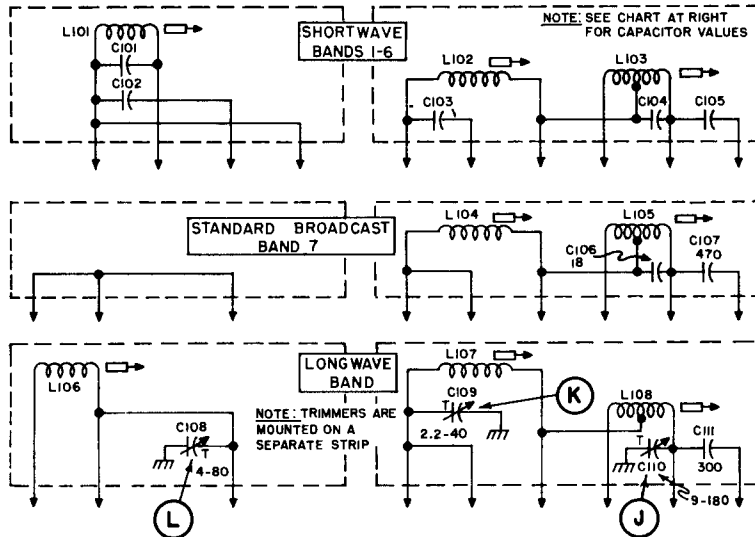
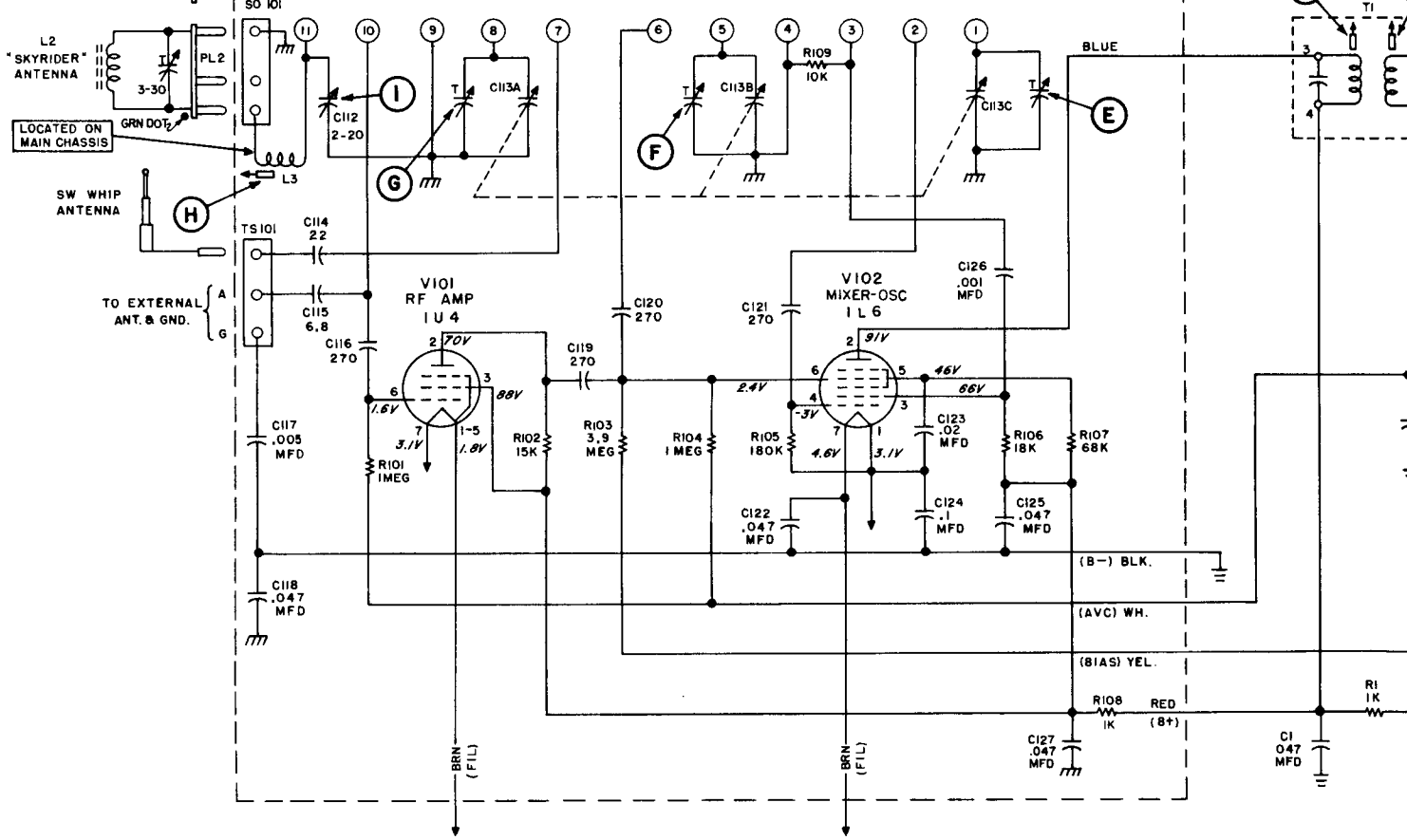
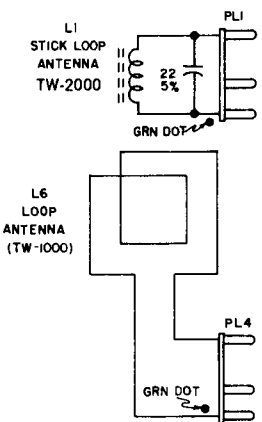


ANTENNA COIL STRIPS

RF-OSC COIL STRIPS

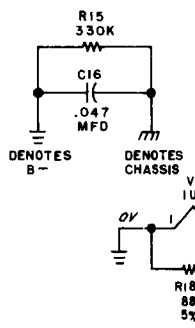


BAND	COIL STRIP MARKING	HALLICRAFTERS PART NO.		FREQ. RANGE
		RF-OSC STRIP	ANT STRIP	
1	2L	88-907	88-908	1.8
2	14L	88-909	88-910	14.82
3	17L	88-911	88-912	17.32
4	9L	88-913	88-914	9.22
5	4L	88-915	88-916	3.9
6	11L	88-917	88-918	11.42
7	1L	88-919	88-920	540
BLANK				
YELLOW	3L	88-921	88-922	180



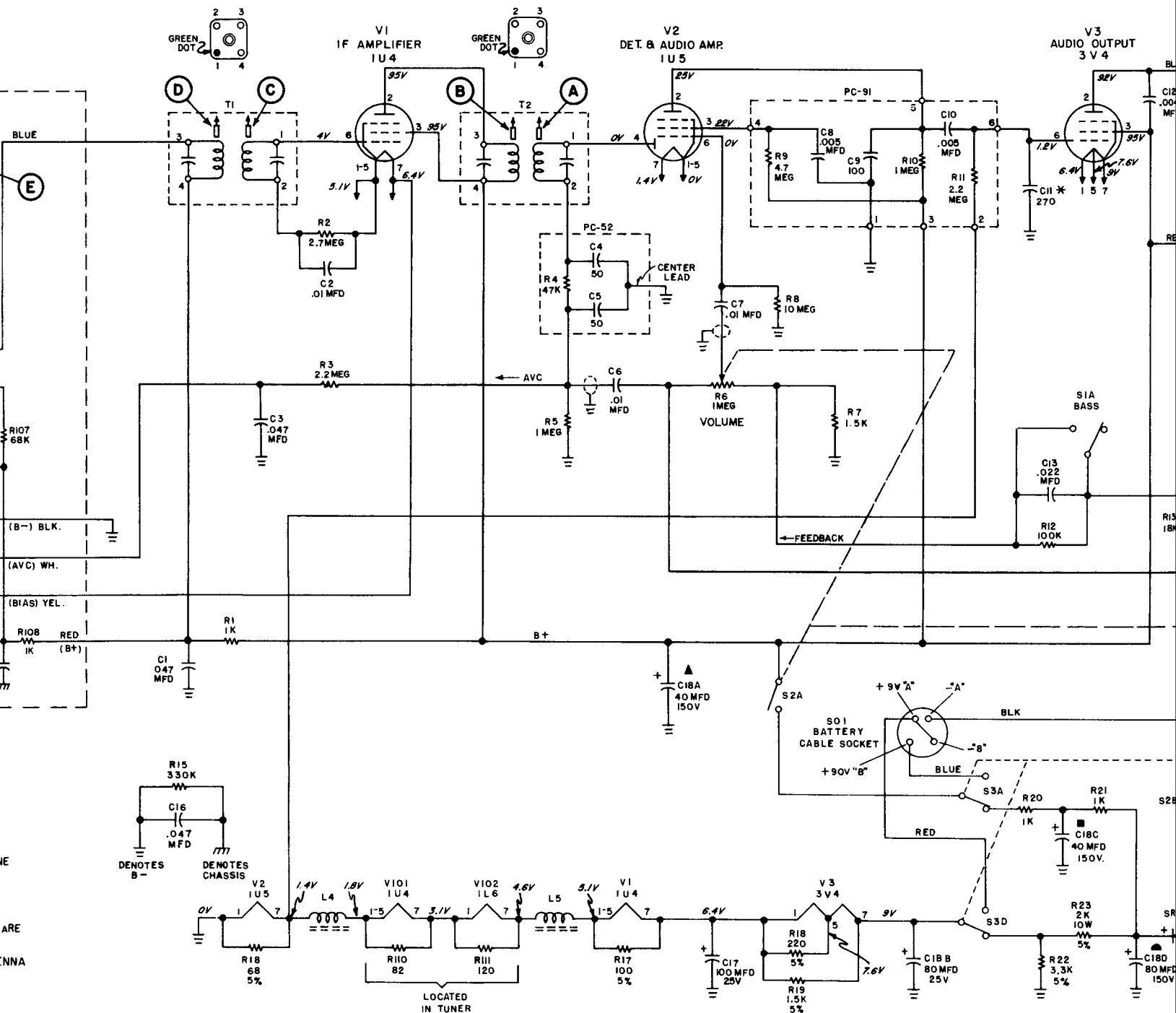
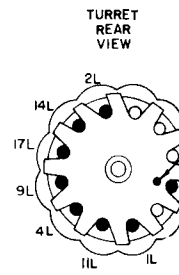
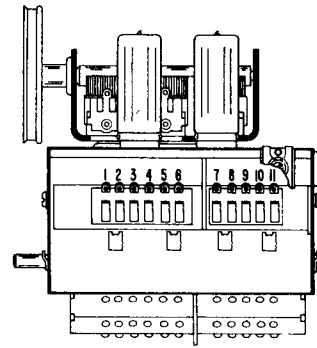
NOTES

1. RESISTANCE IN OHMS AND CAPACITANCE IN MMF UNLESS OTHERWISE SPECIFIED. K=1000
 2. RESISTORS ARE 1/2 WATT AND 10% UNLESS OTHERWISE SPECIFIED.
 3. INTERMEDIATE FREQUENCY = 455 KC
 4. TONE SWITCH S-1 SHOWN IN RIGHT HAND POSITION (AS VIEWED FROM FRONT OF SET).
 5. POWER CHANGEOVER SWITCH S-3 SHOWN IN AC/DC POSITION. FOR BATTERY OPERATION, INSERT LINE CORD PLUG INTO CHASSIS RECEPTACLE (SEE FIG.3).
 6. LINE VOLTAGE: AC/DC OPERATION - 117 VOLTS
BATTERY OPERATION - 90V "B" AND 9V "A"
 7. ALL VOLTAGES MEASURED WITH VTVM BETWEEN TUBE SOCKET TERMINALS AND B- (GND). VOLTAGES ARE DC AND POSITIVE UNLESS OTHERWISE SPECIFIED.
 8. ALL VOLTAGES ARE MEASURED IN BROADCAST POSITION (BA1-D7) WITH STICK-LOOP OR LOOP ANTENNA DISCONNECTED AND GANG FULLY CLOSED.
- * ON SOME SETS, C11 IS 220MMF WHEN MAKING REPLACEMENT, USE 270 MMF CAPACITOR.



VALUES AND TOLERANCES SHOWN ARE NOMINAL AND VARIATIONS MAY BE FOUND. IT IS RECOMMENDED THAT THE VALUE OF ANY REPLACEMENT CORRESPOND TO THE NOMINAL VALUE OF THE PART BEING REPLACED.

BAND	COIL STRIP MARKING	HALLCRAFTERS PART NO.		FREQUENCY RANGE	C101	C102	C103	C104	C105
		RF-OSC STRIP	ANT STRIP						
1	2L	88-907	88-908	1.8 — 3.9 MC	NONE	550	560	6.8	360
2	14L	88-909	88-910	14.62 — 15.7 MC	NONE	13	17	NONE	12
3	17L	88-911	88-912	17.32 — 18.2 MC	NONE	10	14	NONE	12
4	9L	88-913	88-914	9.22 — 10.3 MC	NONE	22	24	NONE	16
5	4L	88-915	88-916	3.9 — 8.0 MC	4.25	330	340	5	380
8	11L	88-917	88-918	11.42 — 12.3 MC	NONE	15	18	NONE	13
7	1L	88-919	88-920	540 — 1600 KC					
BLANK POSITION									
YELLOW	3L	88-921	88-922	180 — 400 KC					



MODELS TW-1000, & TW-2000

