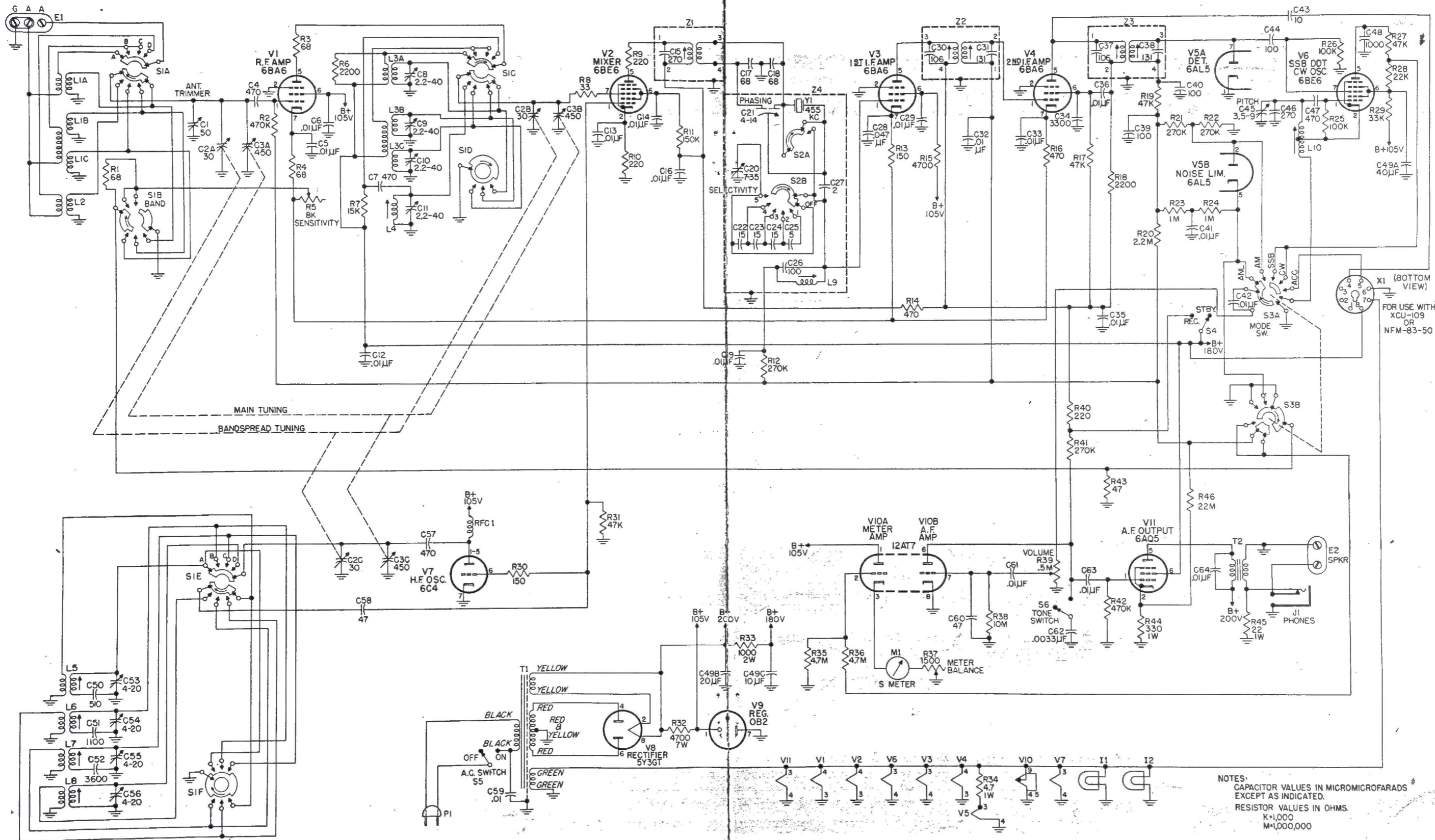


NC109 Receiver Schematic Diagram



NOTES:
 CAPACITOR VALUES IN MICROMICROFARADS
 EXCEPT AS INDICATED.
 RESISTOR VALUES IN OHMS.
 K=1,000
 M=1,000,000

NC109 Receiver Schematic Diagram

The **NATIONAL**
NC 109
COMMUNICATIONS RECEIVER



NATIONAL COMPANY INC., MALDEN, MASSACHUSETTS