



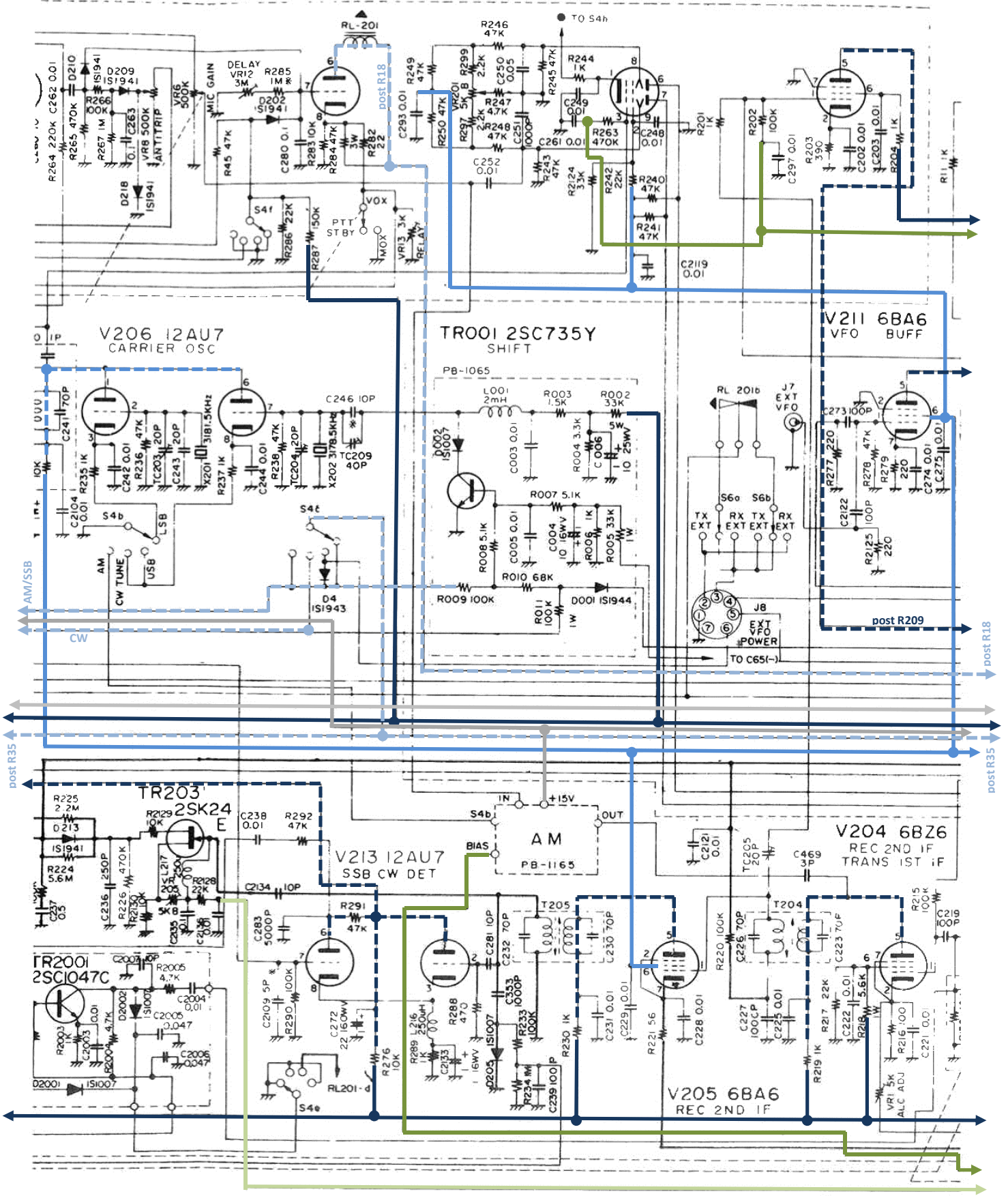


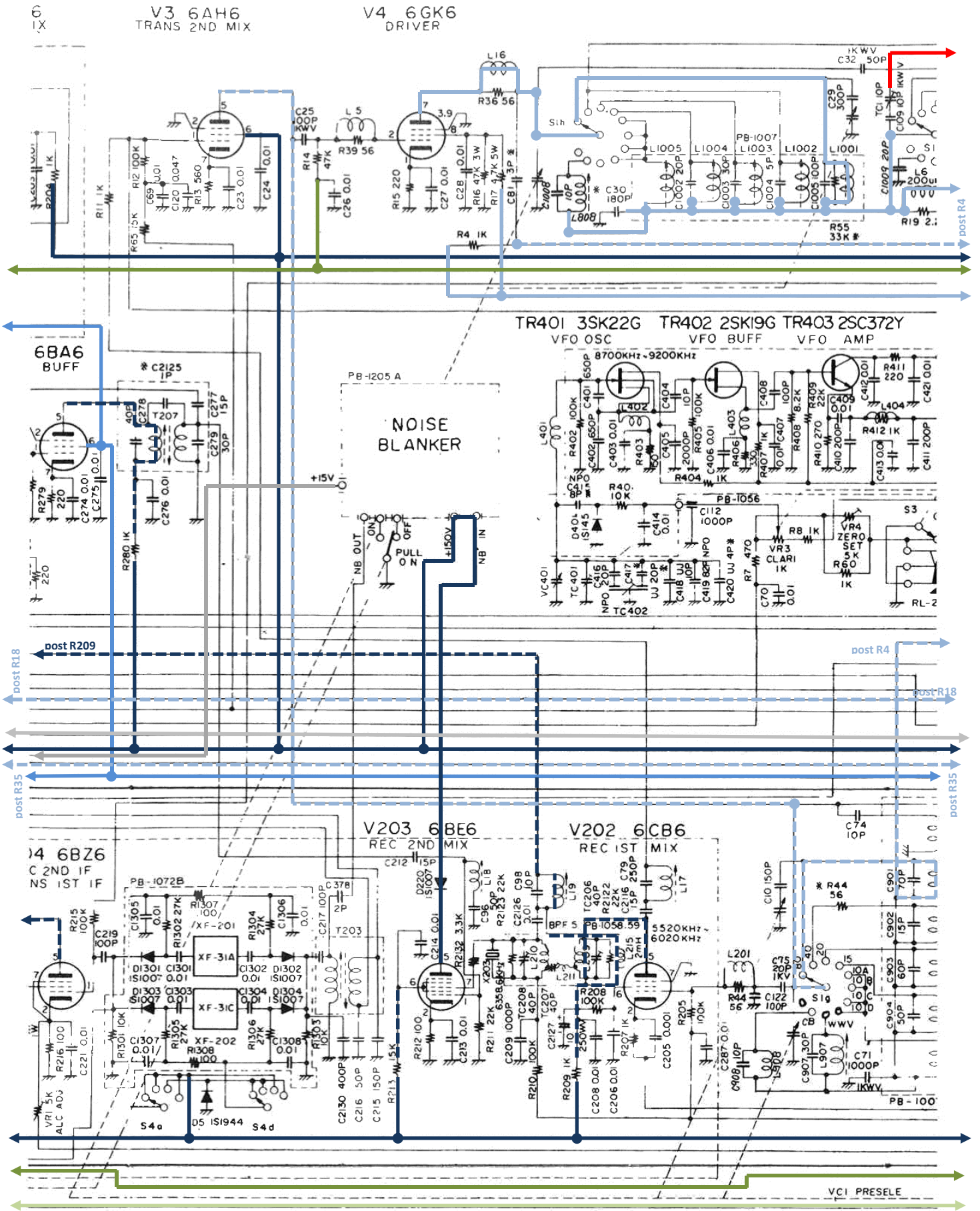
AT7  
IP

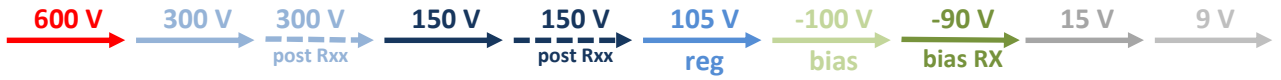
V209b 12AT7  
RELAY CONTROL

V207 7360  
B M

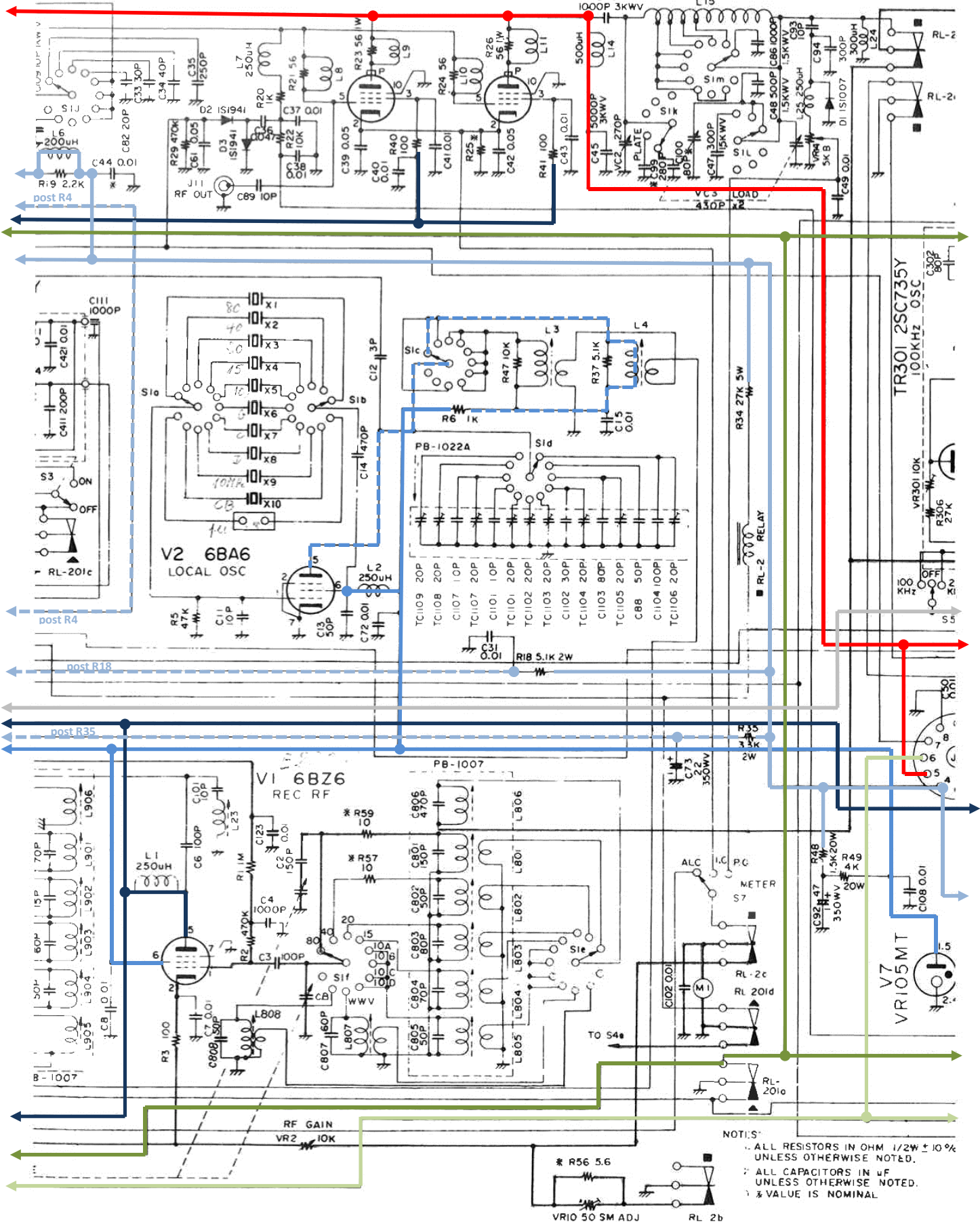
V201 6CB6  
TRANS IST MIX







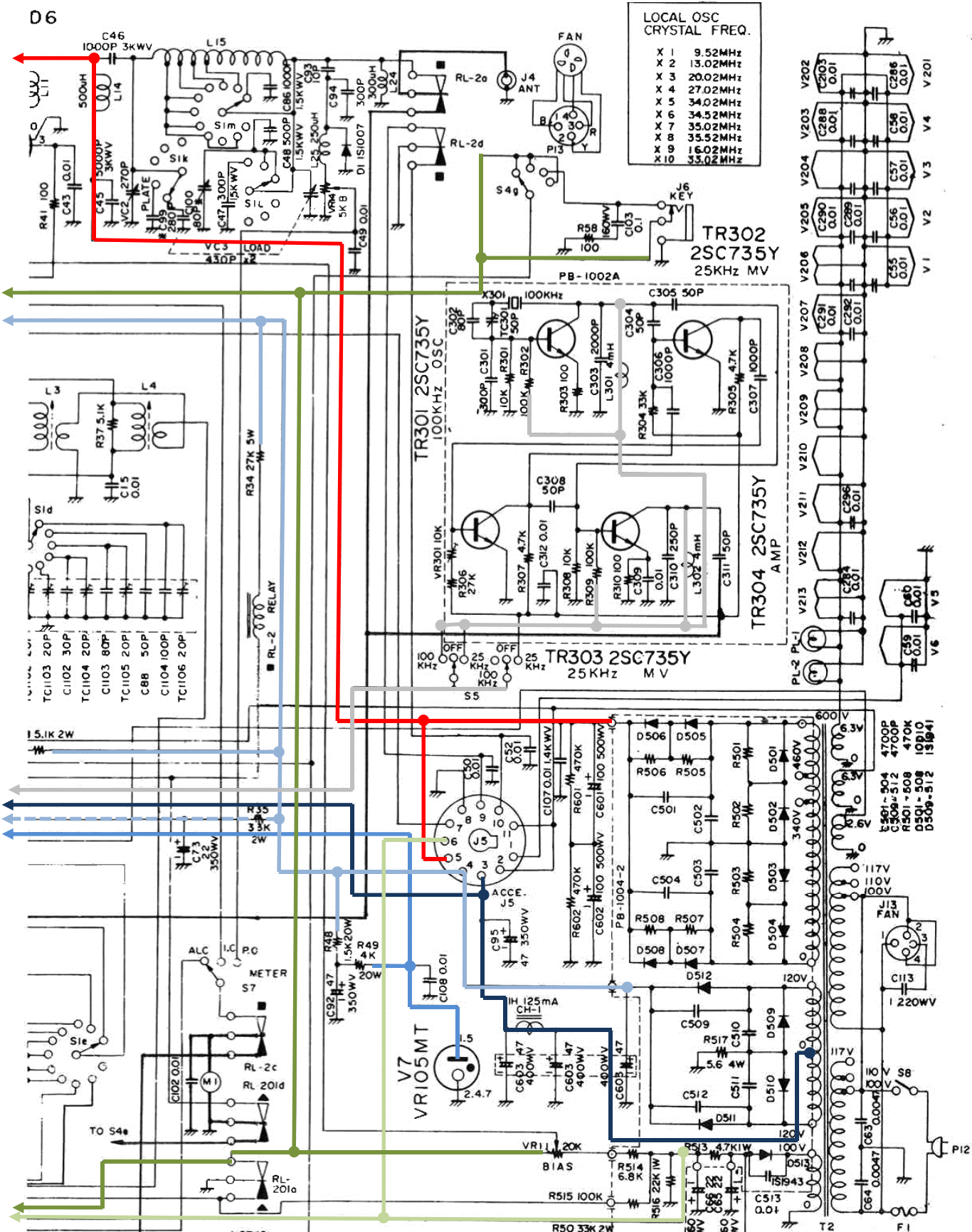
V5 6KD6 P A      V6 6KD6 P A



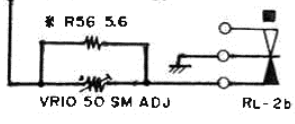
NOTES:  
 1. ALL RESISTORS IN OHM 1/2W ± 10% UNLESS OTHERWISE NOTED.  
 2. ALL CAPACITORS IN μF UNLESS OTHERWISE NOTED.  
 3. \* VALUE IS NOMINAL

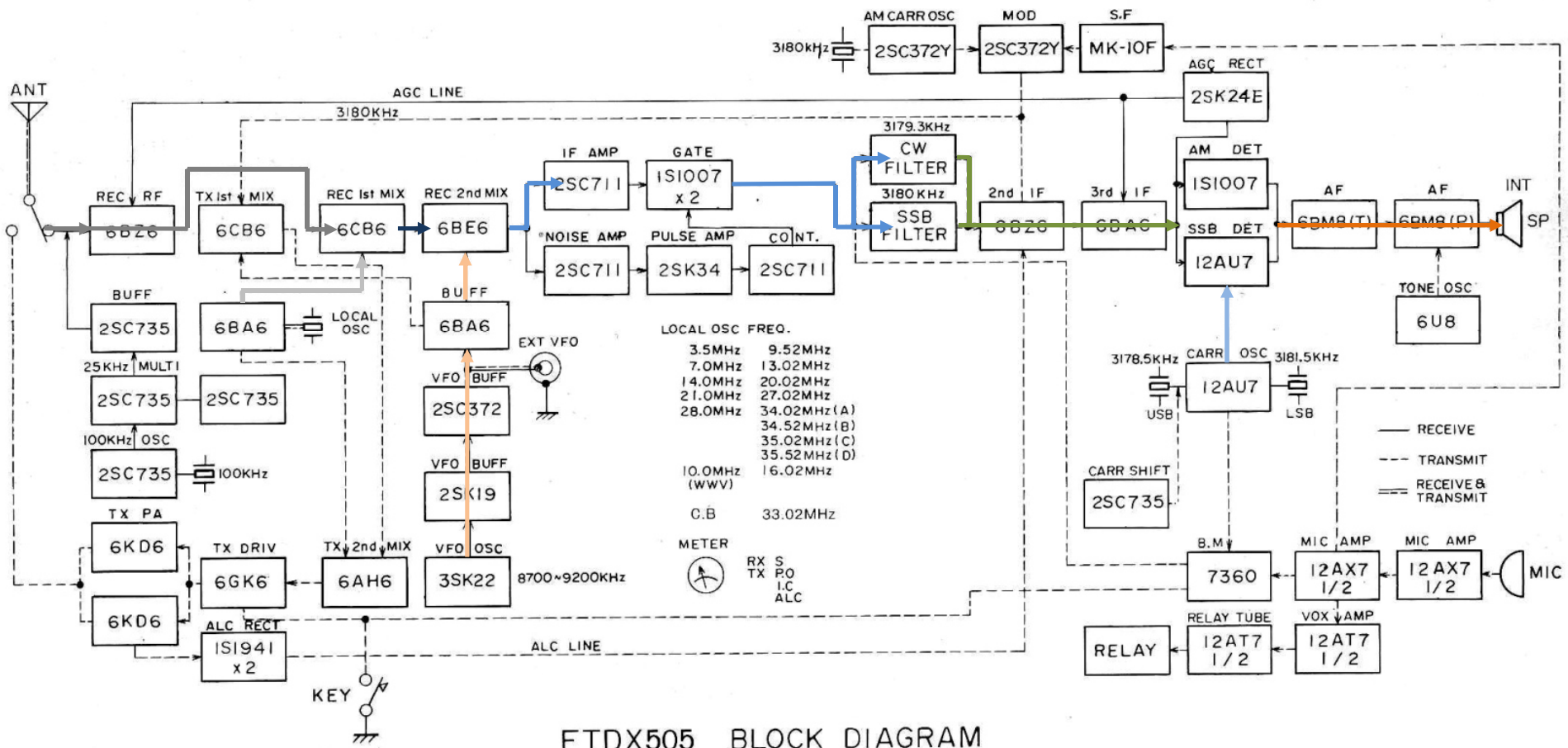


D6

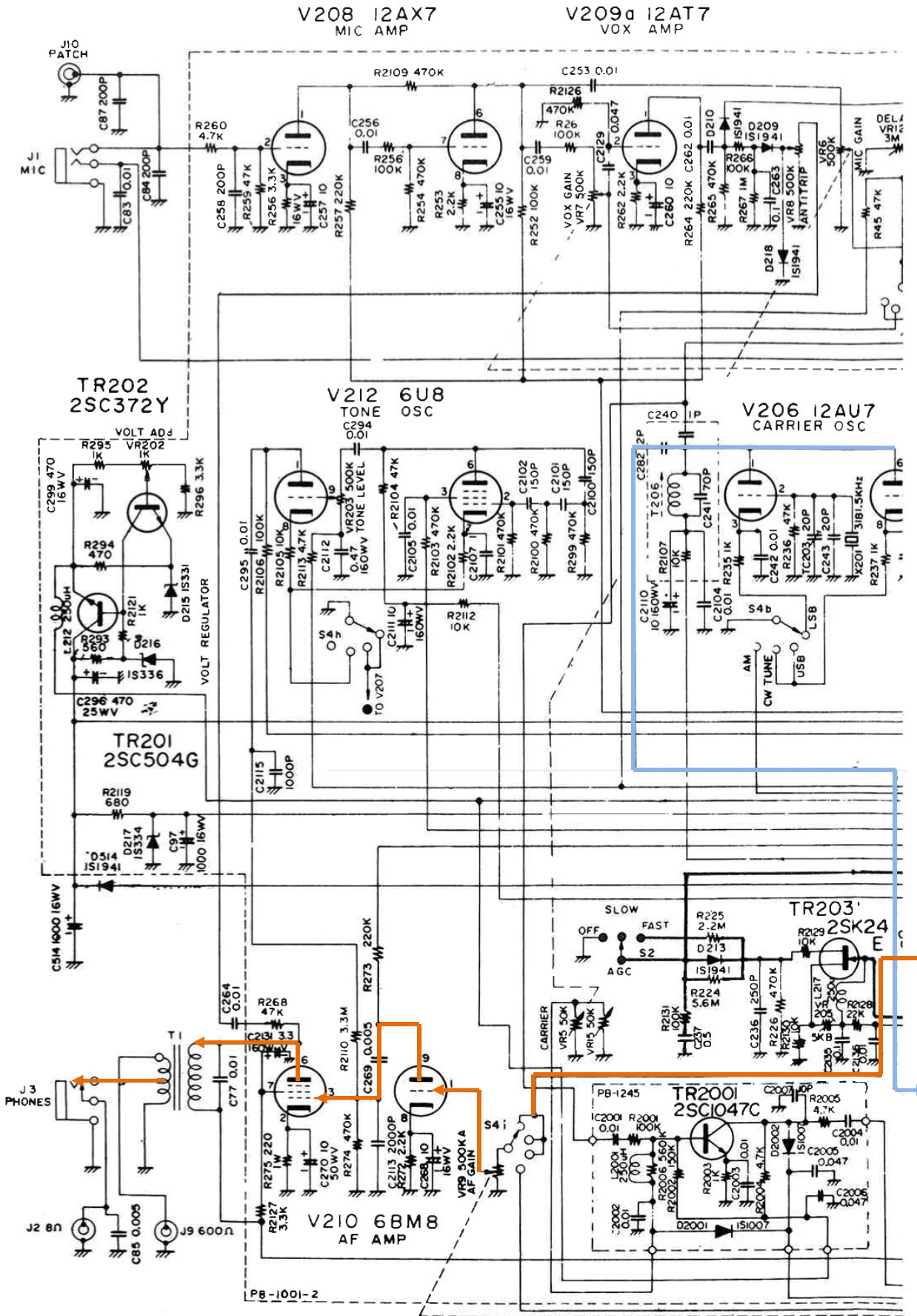


- NOTES:
1. ALL RESISTORS IN OHM 1/2W ± 10% UNLESS OTHERWISE NOTED.
  2. ALL CAPACITORS IN uF UNLESS OTHERWISE NOTED.
  3. \* VALUE IS NOMINAL





BF RX → RX carrier →



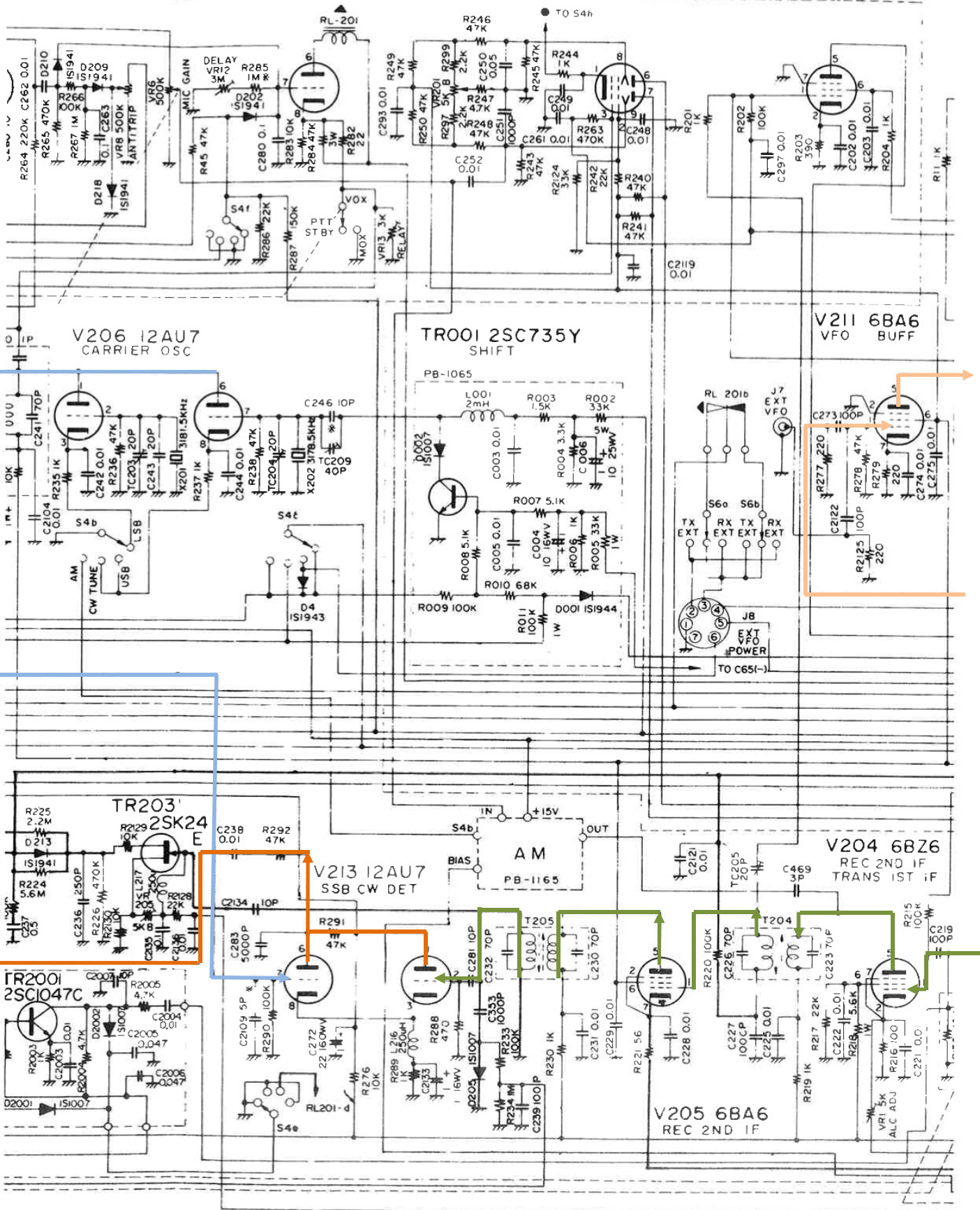
→ RX VFO  
→ RX2 filtered  
→ RX carrier  
→ BF RX

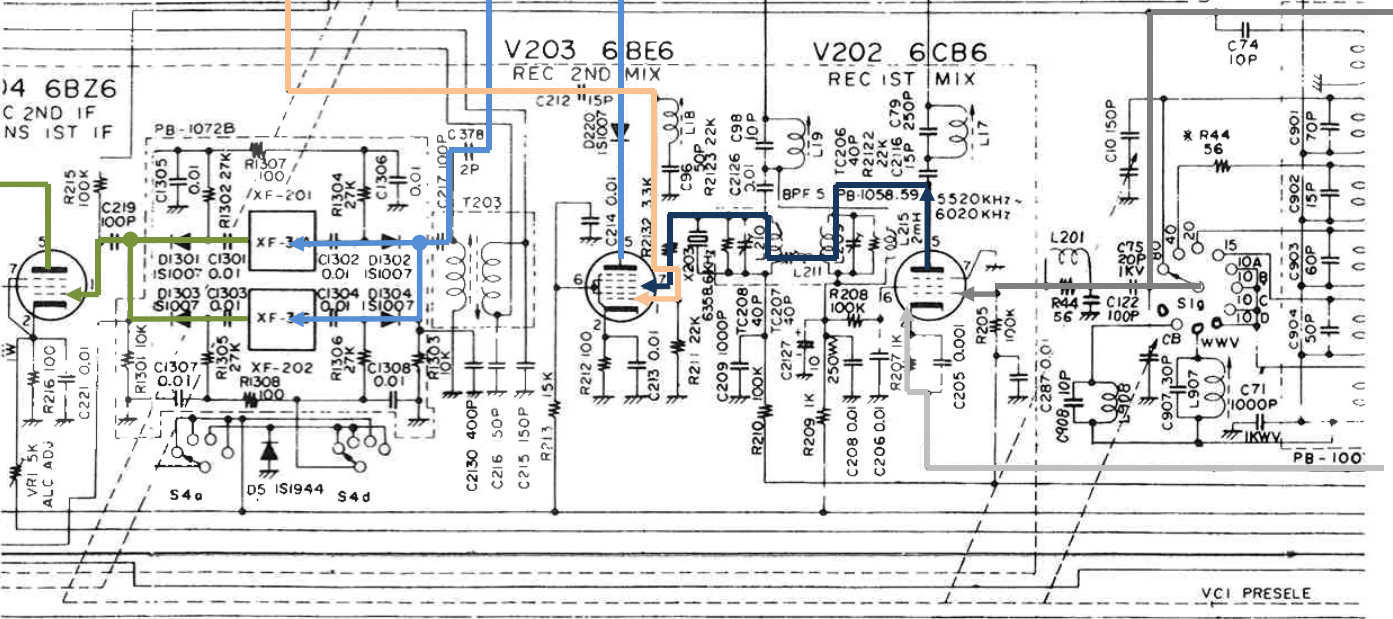
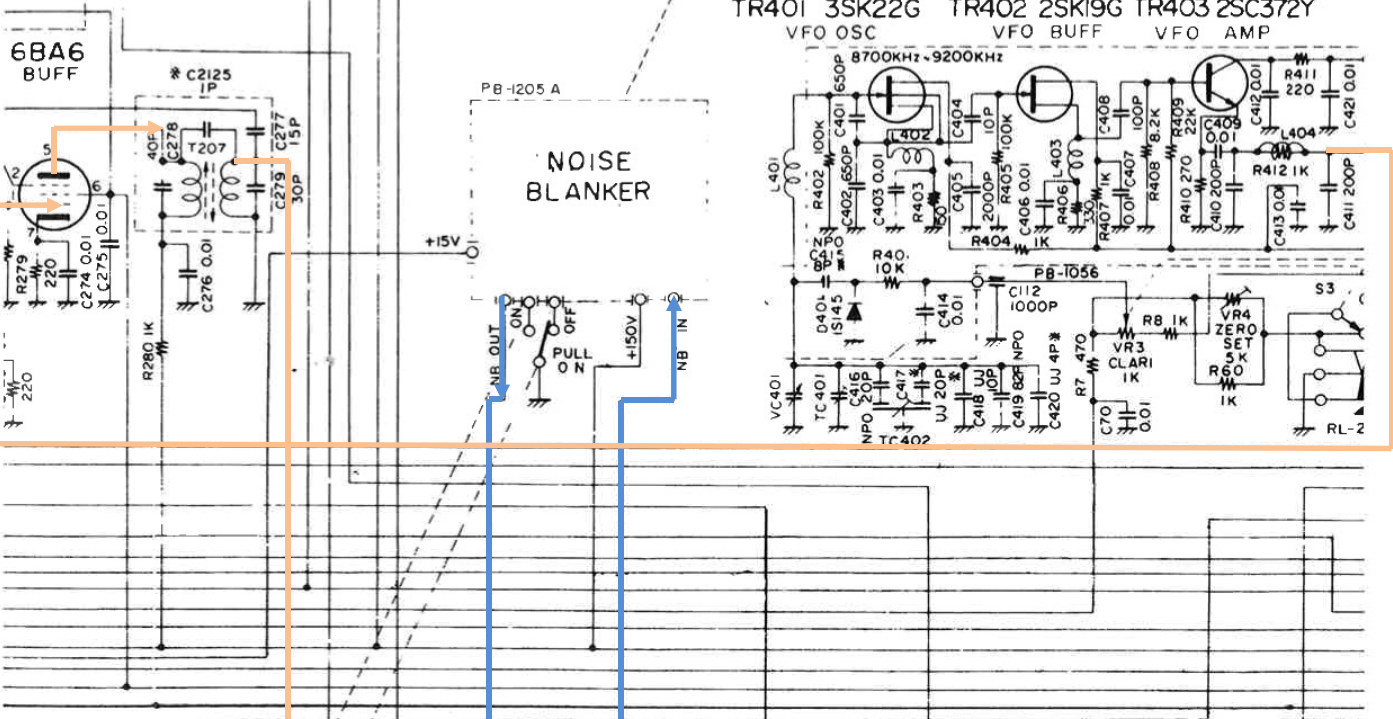
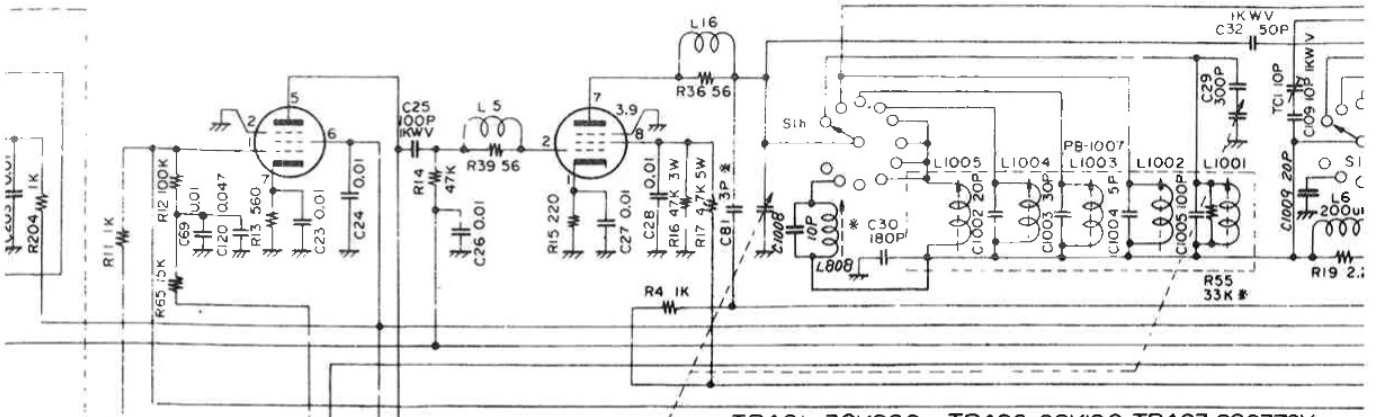
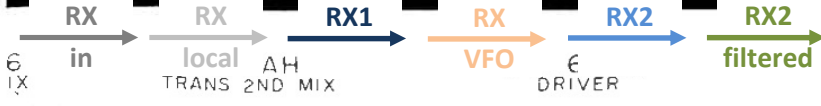
A17  
IP

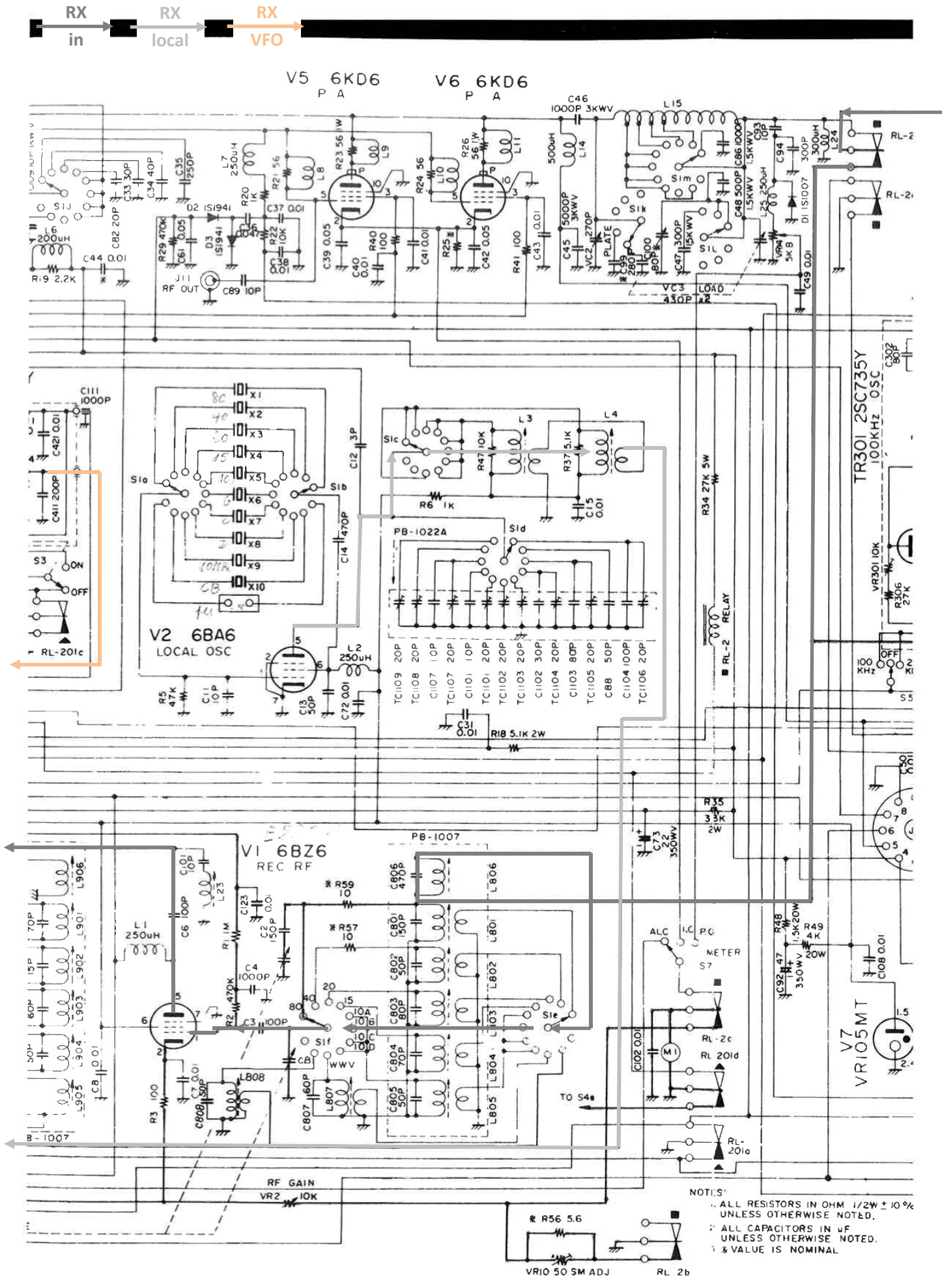
V209D 12AT7  
RELAY CONTROL

V207 7360  
B M

V201 6CB6  
TRANS IST MIX







NOTES:  
 1. ALL RESISTORS IN OHM 1/2W ± 10% UNLESS OTHERWISE NOTED.  
 2. ALL CAPACITORS IN µF UNLESS OTHERWISE NOTED.  
 3. \* VALUE IS NOMINAL

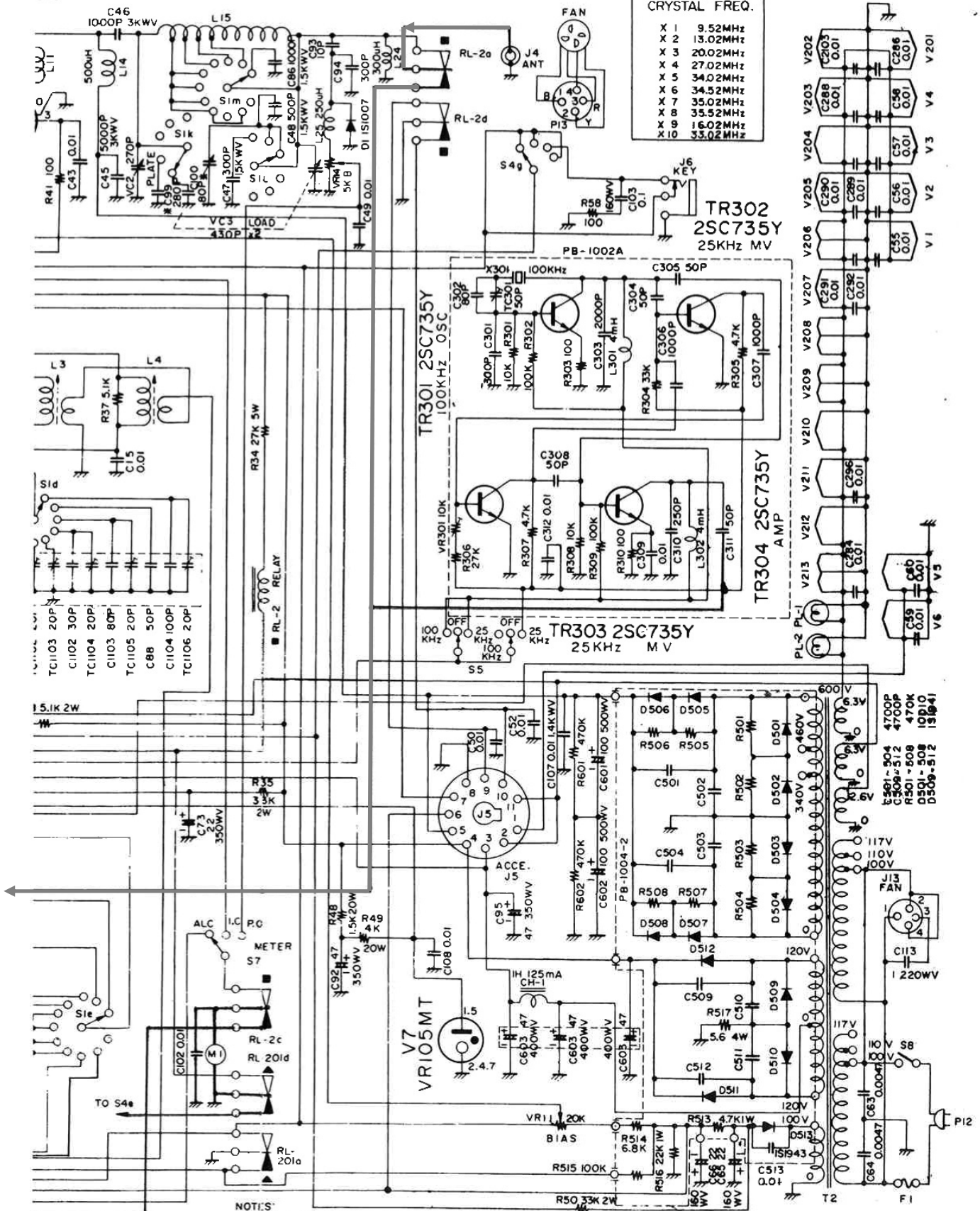
VRI0 50 SM ADJ RL 2b

D6

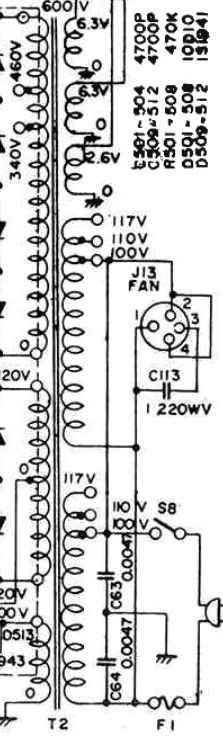
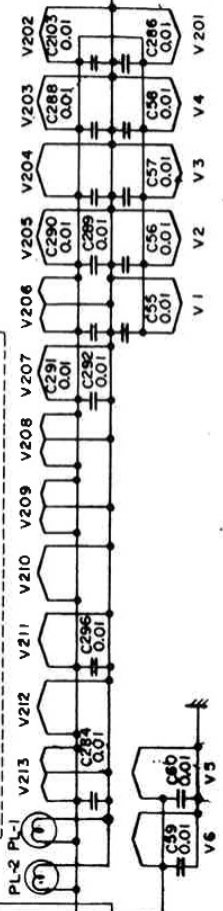
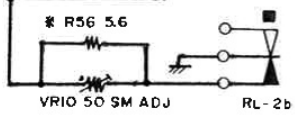
RX  
in

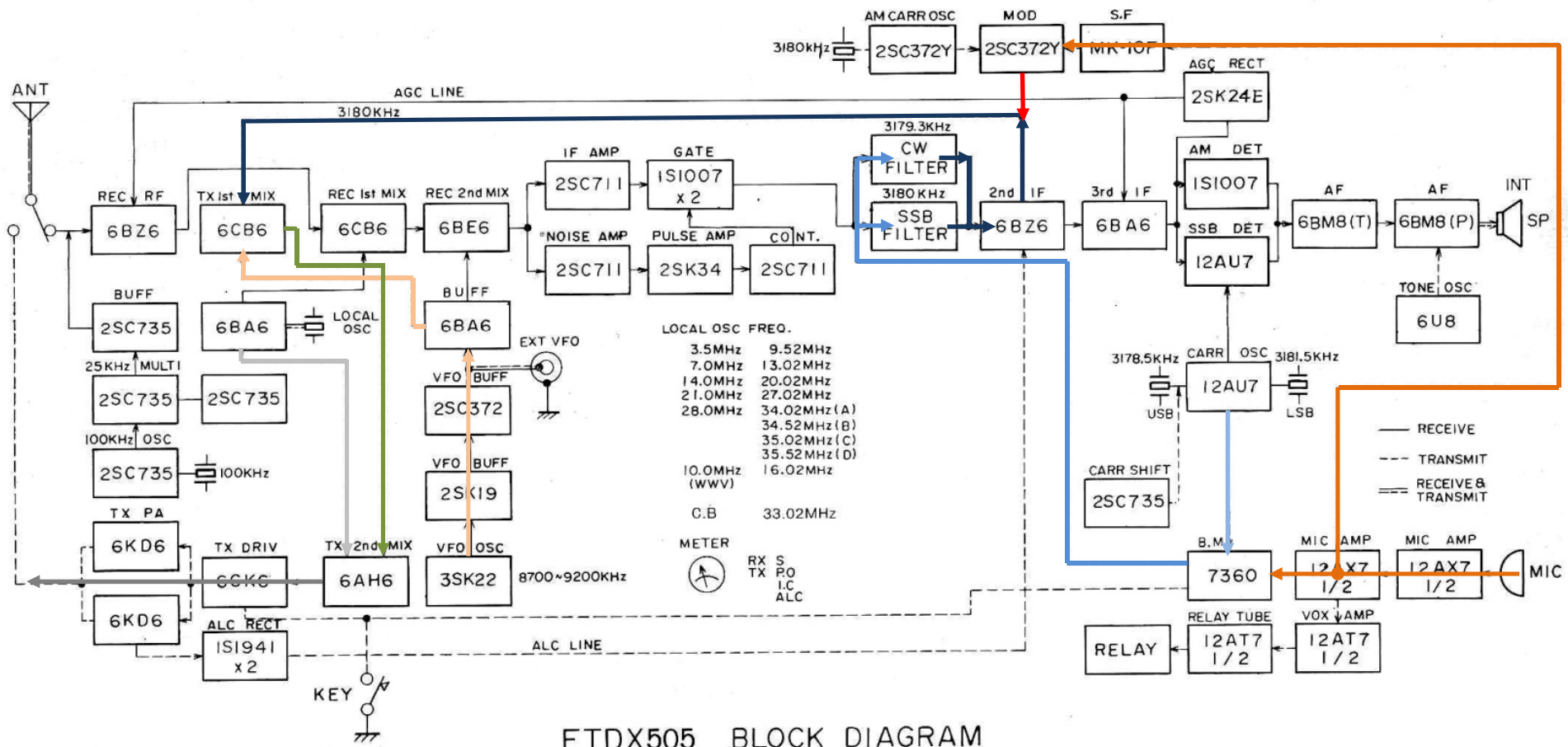
LOCAL OSC  
CRYSTAL FREQ.

X 1	9.52MHz
X 2	13.02MHz
X 3	20.02MHz
X 4	27.02MHz
X 5	34.02MHz
X 6	34.52MHz
X 7	35.02MHz
X 8	35.52MHz
X 9	36.02MHz
X 10	35.02MHz

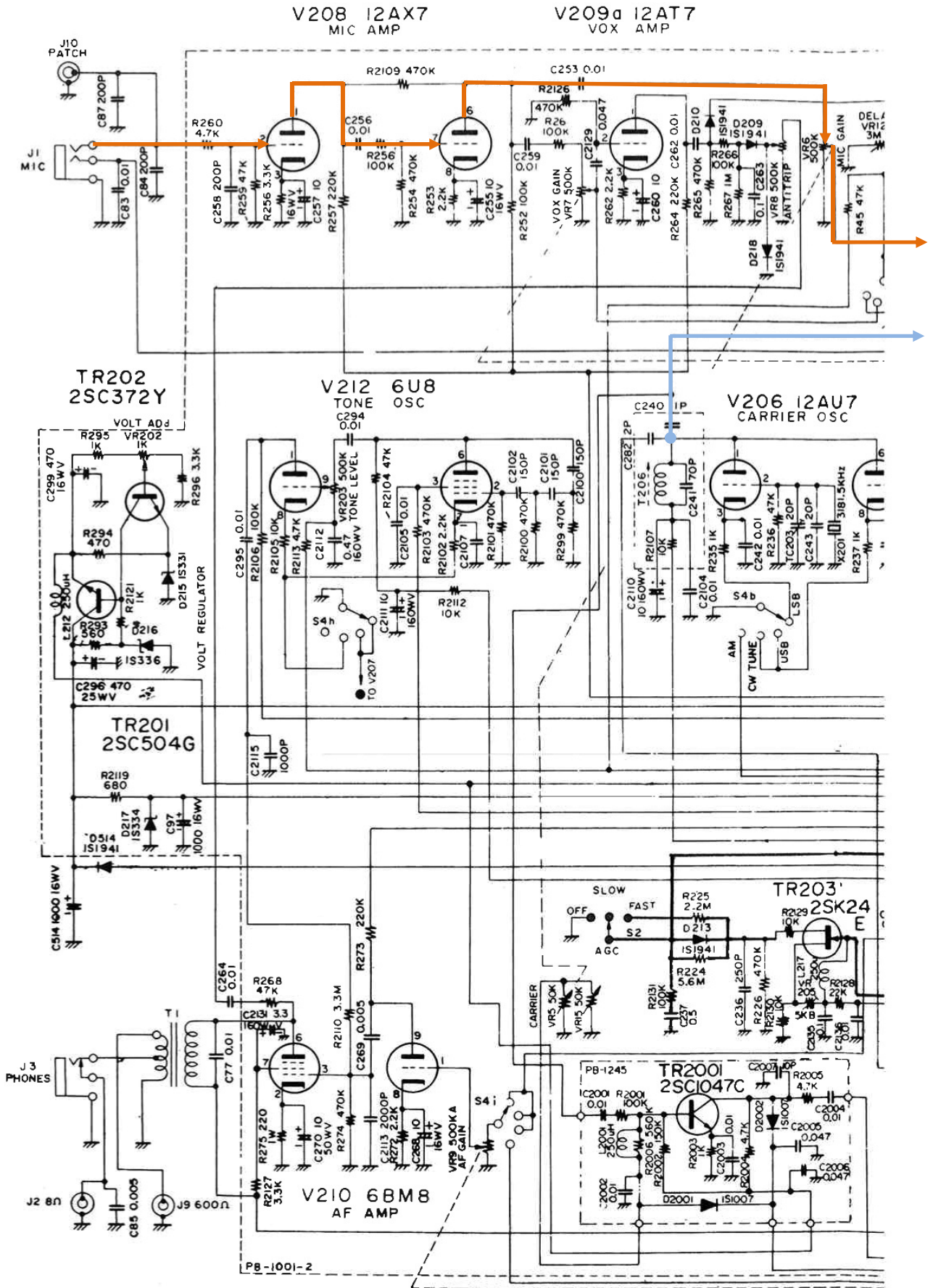


NOTES:  
 1. ALL RESISTORS IN OHM 1/2W ± 10%  
 UNLESS OTHERWISE NOTED.  
 2. ALL CAPACITORS IN uF  
 UNLESS OTHERWISE NOTED.  
 3. \* VALUE IS NOMINAL



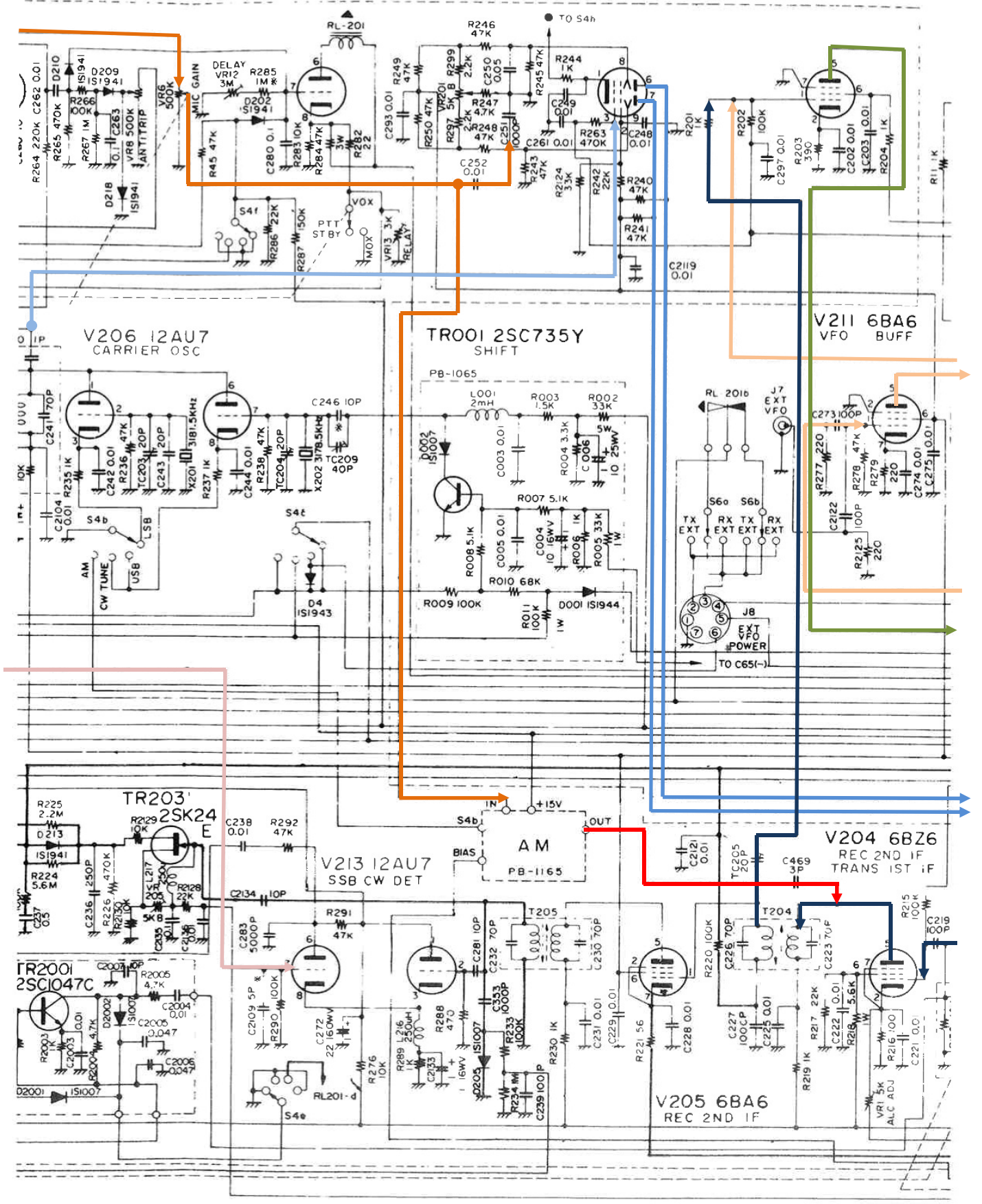


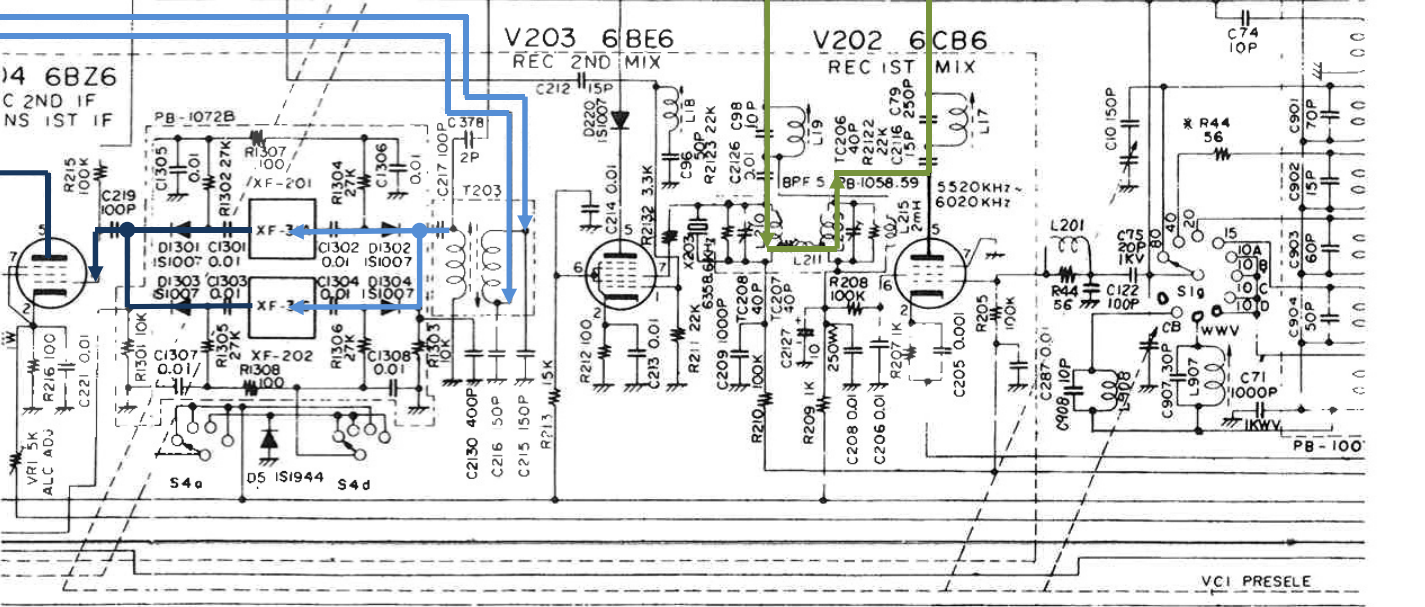
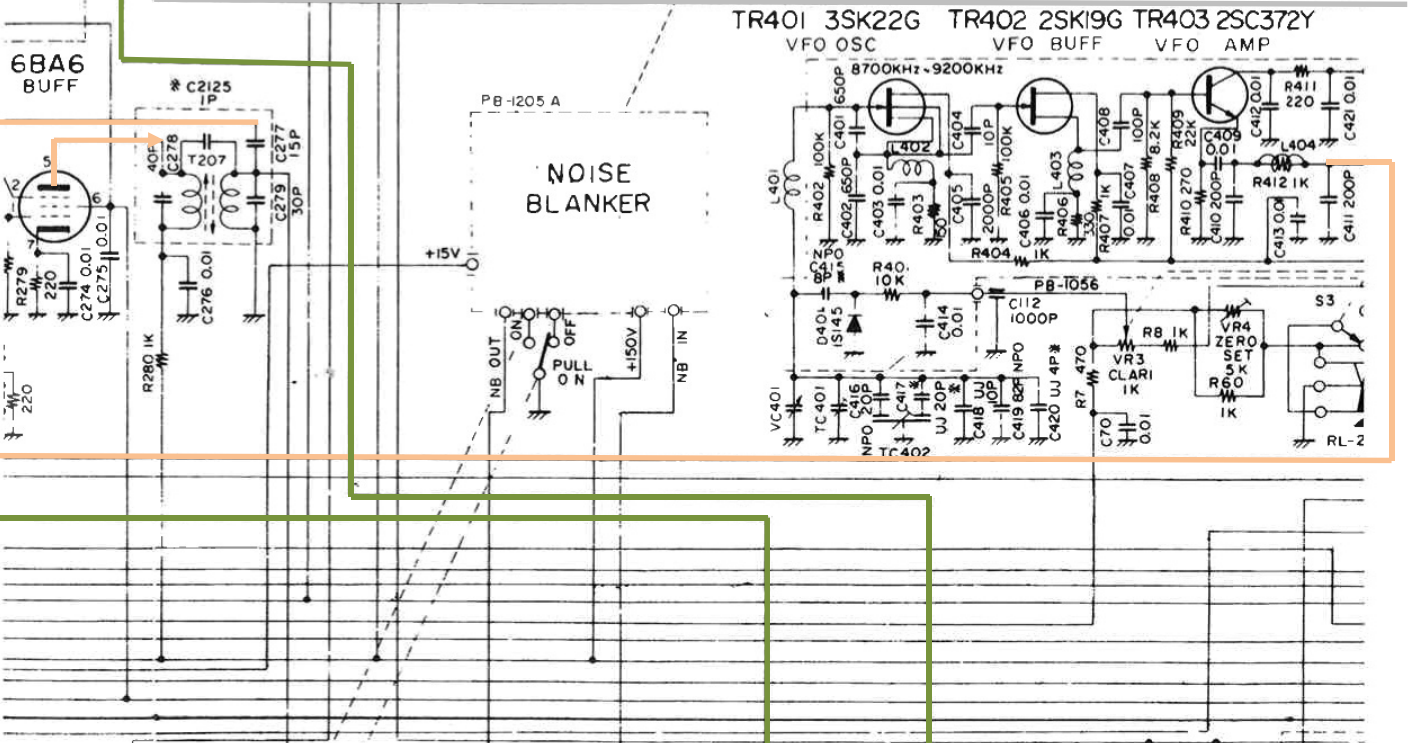
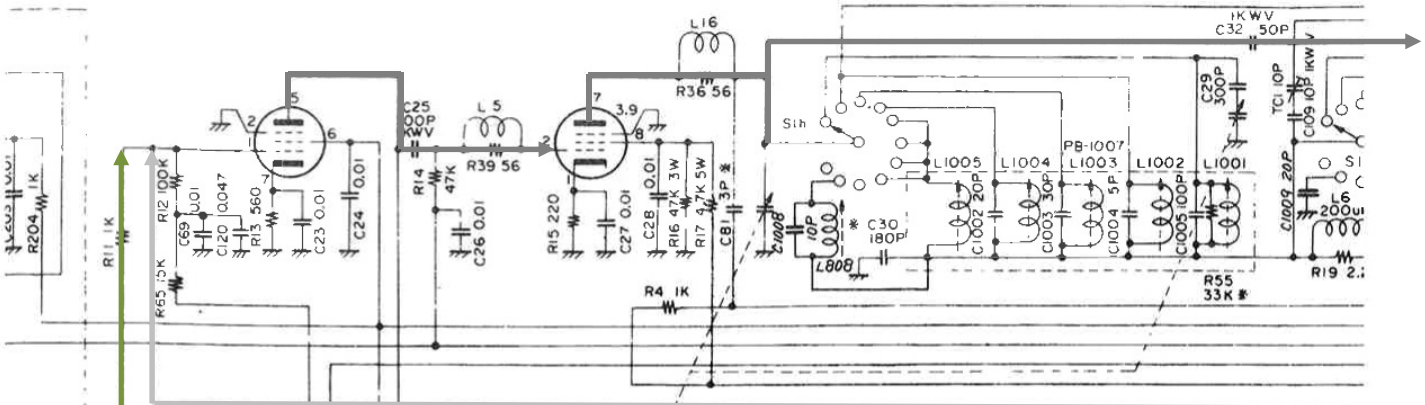
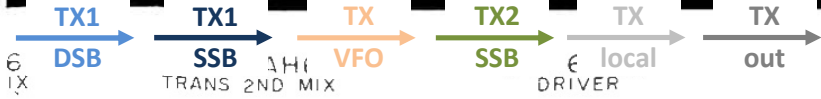
→ **BF TX**  
→ **TX carrier**



→ **BFTX** → → **TX** → → **TX1** → → **TX1** → → **TX** → → **TX2** → → **TX1**  
carrier DSB SSB VFO SSB AM

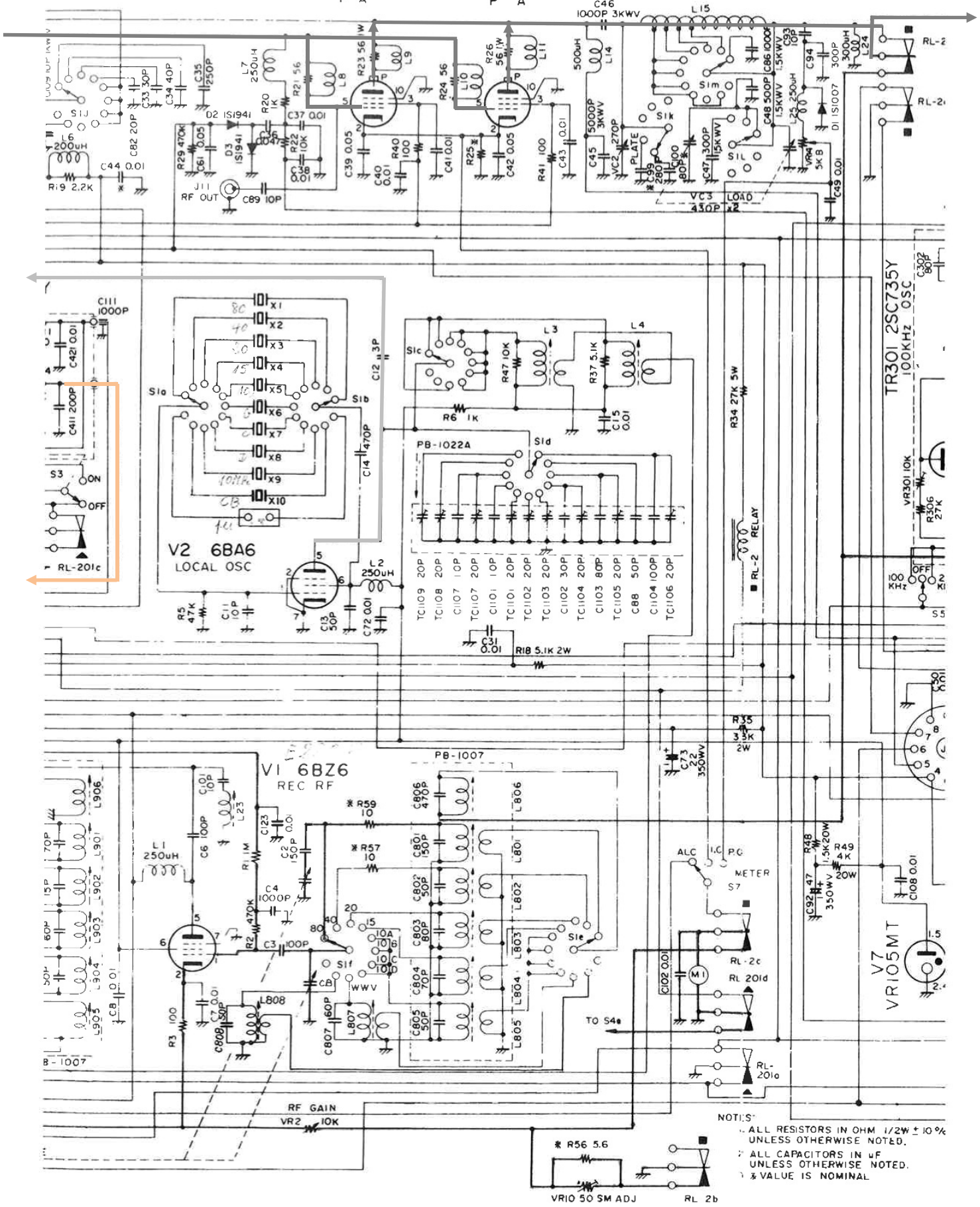
AT7 IP      V209b 12A17 RELAY CONTROL      V207 7360 B M      V201 6CB6 TRANS IST MIX







V5 6KD6 P A      V6 6KD6 P A



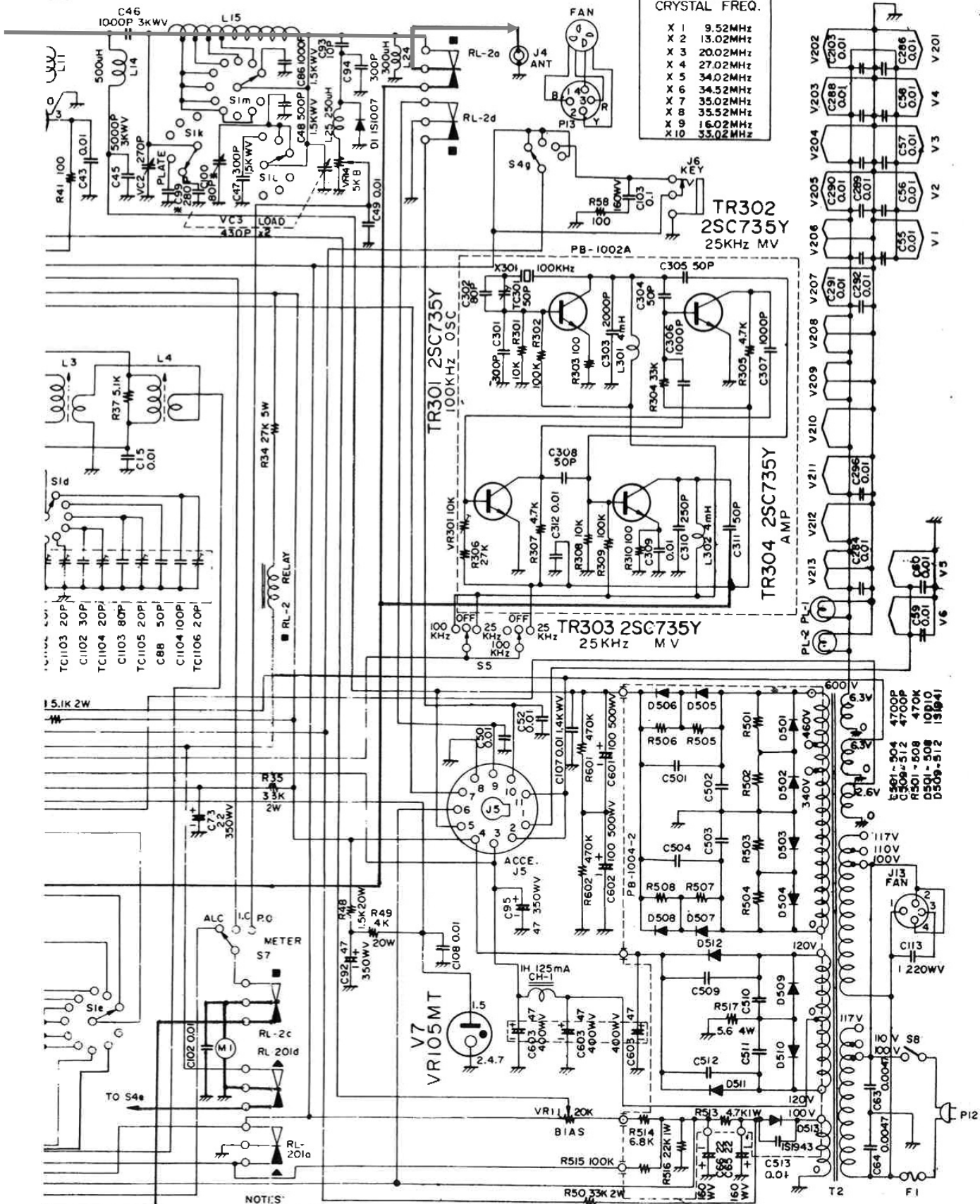
NOTES:  
 1. ALL RESISTORS IN OHM 1/2W ± 10% UNLESS OTHERWISE NOTED.  
 2. ALL CAPACITORS IN µF UNLESS OTHERWISE NOTED.  
 3. \* VALUE IS NOMINAL

D6

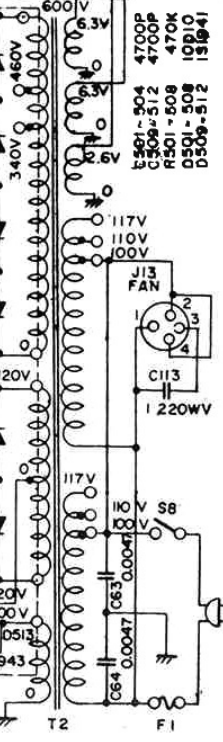
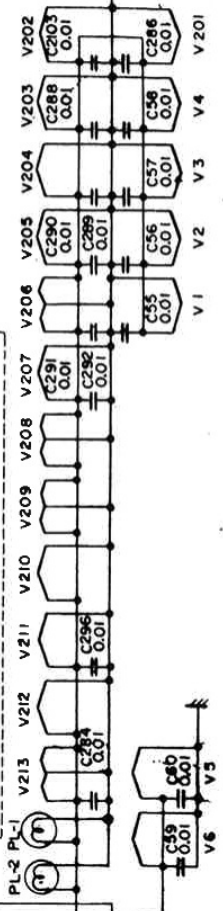
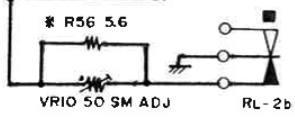
TX  
out →

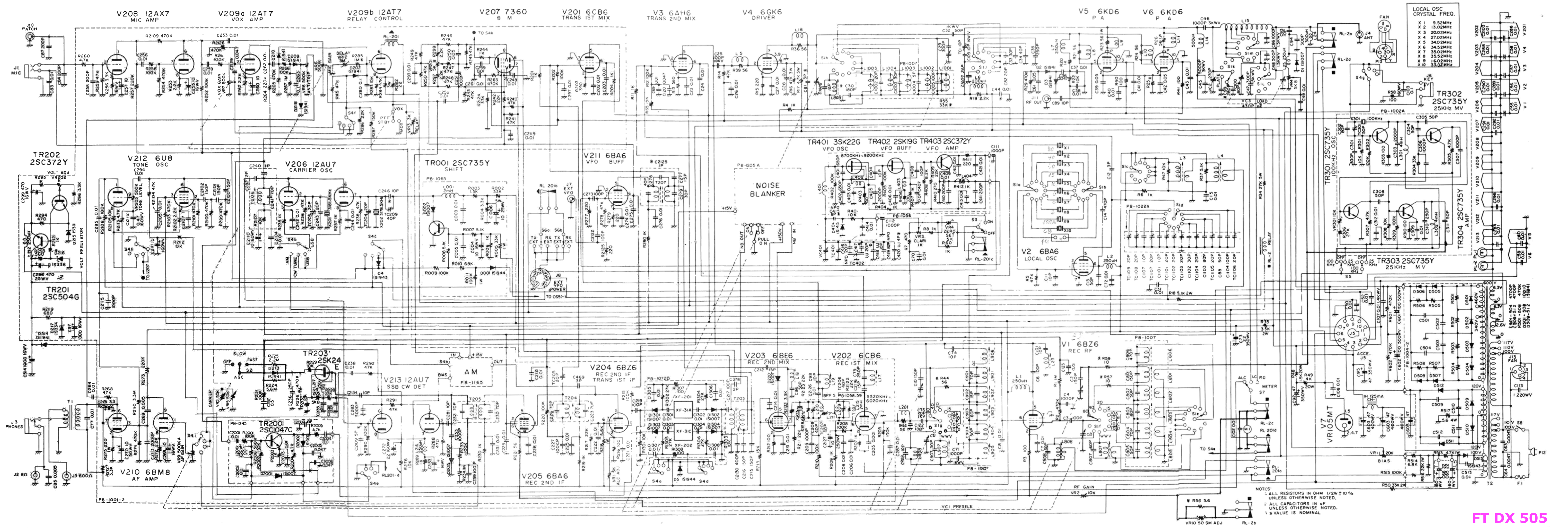
LOCAL OSC  
CRYSTAL FREQ.

X 1	9.52MHz
X 2	13.02MHz
X 3	20.02MHz
X 4	27.02MHz
X 5	34.02MHz
X 6	34.52MHz
X 7	35.02MHz
X 8	35.52MHz
X 9	36.02MHz
X 10	35.02MHz



- NOTES:
1. ALL RESISTORS IN OHM 1/2W ± 10% UNLESS OTHERWISE NOTED.
  2. ALL CAPACITORS IN uF UNLESS OTHERWISE NOTED.
  3. \* VALUE IS NOMINAL





LOCAL OSC CRYSTAL FREQ.

X 1	9.52MHz
X 2	13.02MHz
X 3	20.02MHz
X 4	27.02MHz
X 5	34.02MHz
X 6	34.52MHz
X 7	35.02MHz
X 8	35.52MHz
X 9	35.52MHz
X 10	35.52MHz

NOTES  
 1. ALL RESISTORS IN OHM 1/2W ± 10% UNLESS OTHERWISE NOTED.  
 2. ALL CAPACITORS IN uF UNLESS OTHERWISE NOTED.  
 3. \* VALUE IS NOMINAL