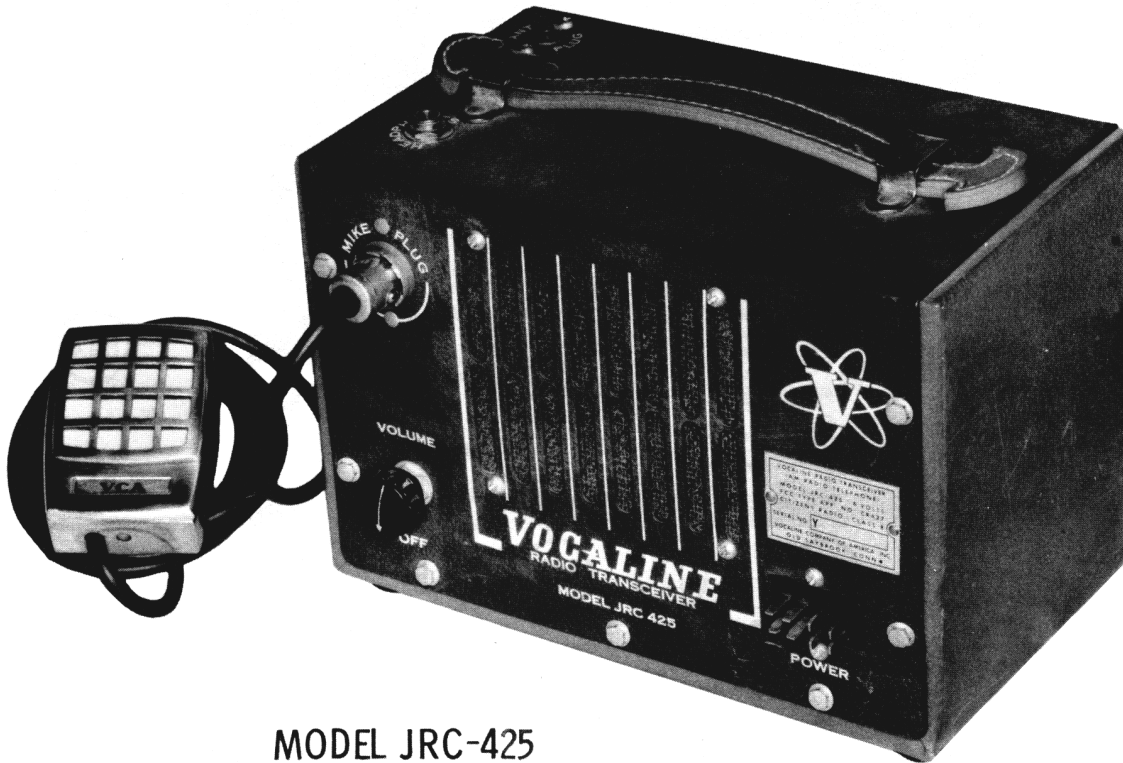


PHOTOFACT® Folder



VOCALINE MODELS
JRC-400, JRC-425



MODEL JRC-425

TRADE NAME	Vocaline Models JRC-400, JRC-425
MANUFACTURER	Vocaline Company of America, Inc., Old Saybrook, Connecticut
TYPE SET	AC-Battery Operated Single Channel 3 Tube Citizens Band Transmitter-Receiver
POWER SUPPLY	110-120 Volts AC, 60 Cycles (or) 6 Volt Storage Battery
RATING	16 Watts, .2 Amp. @117 Volts AC (Receive), 20 Watts, .34 Amp. @117 Volts AC (Transmitt) 3.3 Amp. @6.3 Volts DC
TUNING RANGE	465 MC

VOCALINE MODELS
JRC-400, JRC-425

HOWARD W. SAMS & CO., INC. Indianapolis 6, Indiana



The listing of any available replacement part herein does not constitute in any case a recommendation, warranty or guaranty by Howard W. Sams & Co., Inc., as to the quality and suitability of such replacement part. The numbers of these parts have been compiled from information furnished to Howard W. Sams & Co., Inc., by the manufacturers of KZ439

the particular type of replacement part listed. Reproduction or use, without express permission, of editorial or pictorial content, in any manner, is prohibited. No patent liability is assumed with respect to the use of the information contained herein. © 1961 Howard W. Sams & Co., Inc., Indianapolis 6, Indiana. Printed in U.S. of America

PARTS LIST AND DESCRIPTIONS

TUBES

• GENERAL ELECTRIC •		RAYTHEON		• SYLVANIA •	
ITEM No.	USE	TYPE	ITEM No.	USE	TYPE
V1	Superregenerative Det. - Trans. Osc.	6AF4A	V2 V3	AF Amp. -Speech Amp. Output-Modulator	6AV6 6AS5

ELECTROLYTIC CAPACITORS

ITEM No.	RATING		REPLACEMENT DATA						NOTES
	CAP.	VOLT.	VOCALINE PART No.	AEROVOX PART No.	CORNELL-DUBILIER PART No.	MALLORY PART No.	PYRAMID PART No.	SPRAGUE PART No.	
CLA B C	40 40 40	150 150 150		AFH3-10	C0090	FP311.5	TMT-3127	TVL-3442	

FIXED CAPACITORS

Capacity values given in the rating column are in mfd. for Paper Capacitors, and in mmfd. for Mica and Ceramic Capacitors.

ITEM No.	RATING	REMARKS	REPLACEMENT DATA					
			AEROVOX PART No.	CENTRALLAB PART No.	CORNELL-DUBILIER PART No.	ELMENC0 PART No.	MALLORY PART No.	SPRAGUE PART No.
C2	.5-3			829-3			CV-1	
C3	100 5%		1469-0001	TCZ-100	22R5T1	CM-19B-101J	MCE235	MS-31
C4	150 5%		1469-00015	TCZ-150	22R5T15	CM-19B-151J	MCE236	MS-315
C5	1000		EF-001	MFT-1000		CCF-102	CT280A	
C6	2000		BPD-002	DD-202	BYA10D2	CCD-220	B-220	5HK-D20
C7	10000		BPD-01	DD-103	BYA10S1	CCD-103	B-110	5HK-S10
C8	2000		BPD-002	DD-202	BYA10D2	CCD-220	B-220	5HK-D20
C9	2000		BPD-002	DD-202	BYA10D2	CCD-220	B-220	5HK-D20
C10	10000		BPD-01	DD-103	BYA10S1	CCD-103	B-110	5HK-S10
C11	.05 1000V		PI088N-05		CUB10S5	16DP-5-503	GEM-1015	10TM-850
C12	10000		BPD-01	DD-103	BYA10S1	CCD-103	B-110	5HK-S10

CONTROLS

ITEM No.	RATING		REPLACEMENT DATA					INSTALLATION NOTES
	RESIST-ANCE	WATTS	VOCALINE PART No.	CENTRALLAB PART No.	CLAROSTAT PART No.	CTS-IRC PART No.	MALLORY PART No.	
RIA B C	500K Shaft Switch	1/2	PE013-WT	B-59 Not Req. KR-1	A47-500K-S FS-3 SWE-12	Q11-133 Not Req. 76-1	U50 Not Req. US-26	Volume Power Off-On

RESISTORS

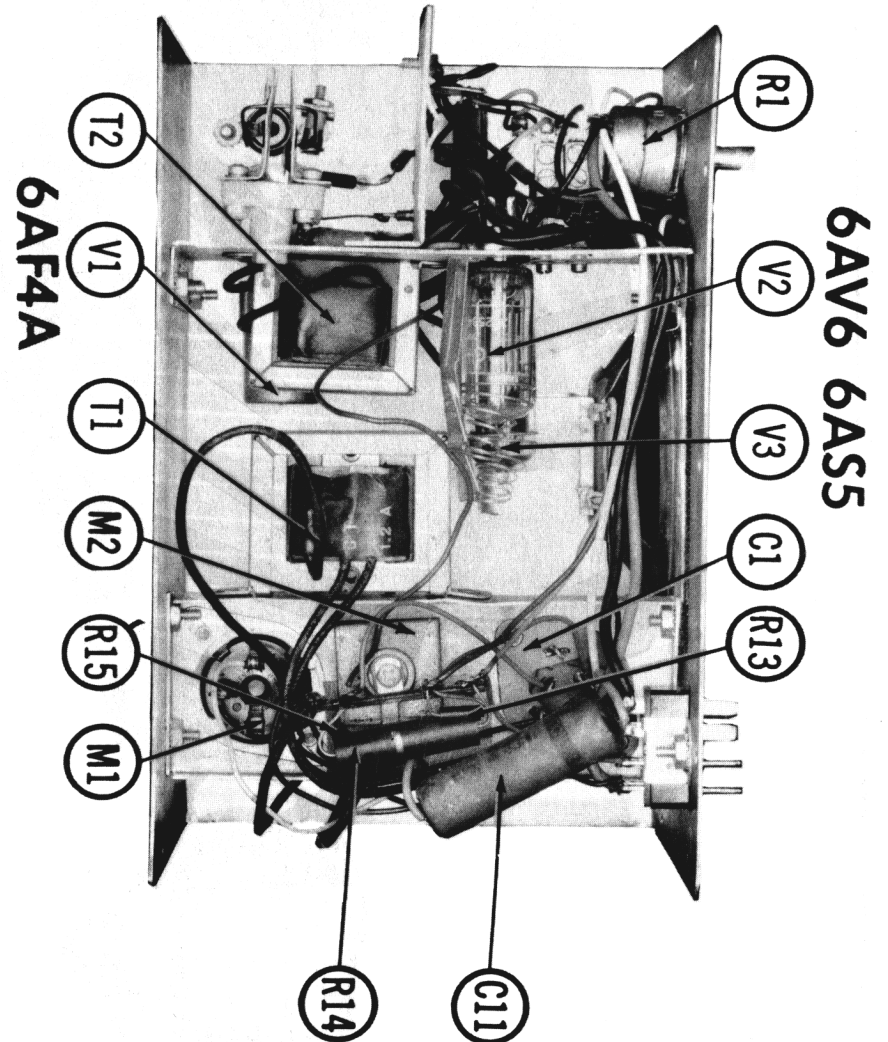
All wattages 1/2 watt, or less, unless otherwise listed.

ITEM No.	RATING	REPLACEMENT DATA			ITEM No.	RATING	REPLACEMENT DATA		
		IRC PART No.	WORKMAN TV PART No.	REMARKS			IRC PART No.	WORKMAN TV PART No.	REMARKS
R2	10K				R9	470Ω			
R3	470Ω				R10	150Ω			
R4	270K				R11	22K			
R5	150Ω				R12	100K			
R6	22K				R13	2200Ω			
R7	470Ω				R14	220Ω 2W			
R8	150Ω				R15	15Ω			

COMPONENT COMBINATIONS

ITEM No.	USE	DESCRIPTION	VOCALINE PART No.	REPLACEMENT DATA
K1	Audio Coupling	220mmf, 250mmf, 2000mmf, 5000mmf, 470K, 470K, 6.8meg		Aerovox PA-113-1 Centralab PC-150 Sprague DT-1

CHASSIS—TOP VIEW



PARTS LIST AND DESCRIPTIONS (Continued)

COILS (RF-IF)

ITEM No.	USE	REPLACEMENT DATA					NOTES
		VOCALINE PART No.	Merit PART No.	Miller PART No.	Stancor PART No.	Workman TV PART No.	
L1	Ant.						① IRC Part #CLA
L2	RF Choke (.47uh)	①		4588	RTC-8513	T958	
L3	Osc.	①		4588	RTC-8513	T958	
L4	Fil. Choke (.47uh)	①		4588	RTC-8513	T958	
L5	Fil. Choke (.47uh)	①		4588	RTC-8513	T958	

TRANSFORMER (POWER)

ITEM No.	RATING			REPLACEMENT DATA					NOTES
	PRI.	SEC. 1	SEC. 2	VOCALINE PART No.	Merit PART No.	Stancor PART No.	Thordarson PART No.	Triad PART No.	
T1	6.3VCT* ② .2A	120V②* .065A		504K1					* DC Operation. † AC Operation.
	117V② .8A	6.3V② 1.3A							

TRANSFORMER (AUDIO OUTPUT)

ITEM No.	IMPEDANCE		REPLACEMENT DATA					NOTES
	PRI.	SEC.	VOCALINE PART No.	Merit PART No.	Stancor PART No.	Thordarson PART No.	Triad PART No.	
T2	2300Ω	3-4Ω	PE 023		A-3876			

SPEAKER

ITEM No.	TYPE			REPLACEMENT DATA		NOTES
	SIZE	FIELD	V. C. IMP.	VOCALINE PART No.	QUAM PART No.	
SP1	4"	PM	3-4Ω	V4B33	4A07	

VIBRATOR

ITEM No.	TYPE	INPUT VOLTS	FRE-QUENCY	REPLACEMENT DATA				NOTES
				VOCALINE PART No.	CORNELL-DUBILIER PART No.	MALLORY PART No.	RADIART PART No.	
M1	Interrupter	6V	115v		5301	1601	5301	

POWER RECTIFIERS

ITEM No.	RATING		REPLACEMENT DATA				NOTES
	CURRENT (Measured)	VOCALINE PART No.	RCA PART No.	SARKES TARZIAN PART No.	SYLVANIA PART No.		
M2	.065A	♦	1N1763 *	100A ♦	SR500 *	♦ Selenium * Silicon (Use Surge Limiter)	

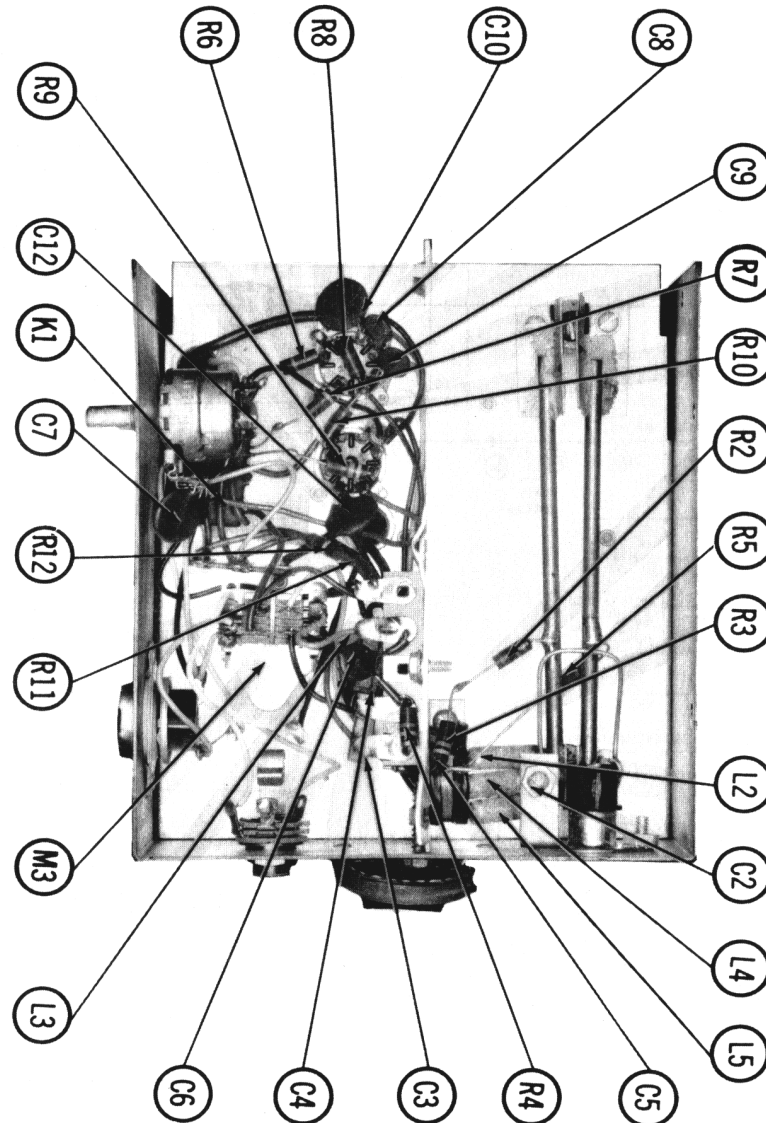
MISCELLANEOUS

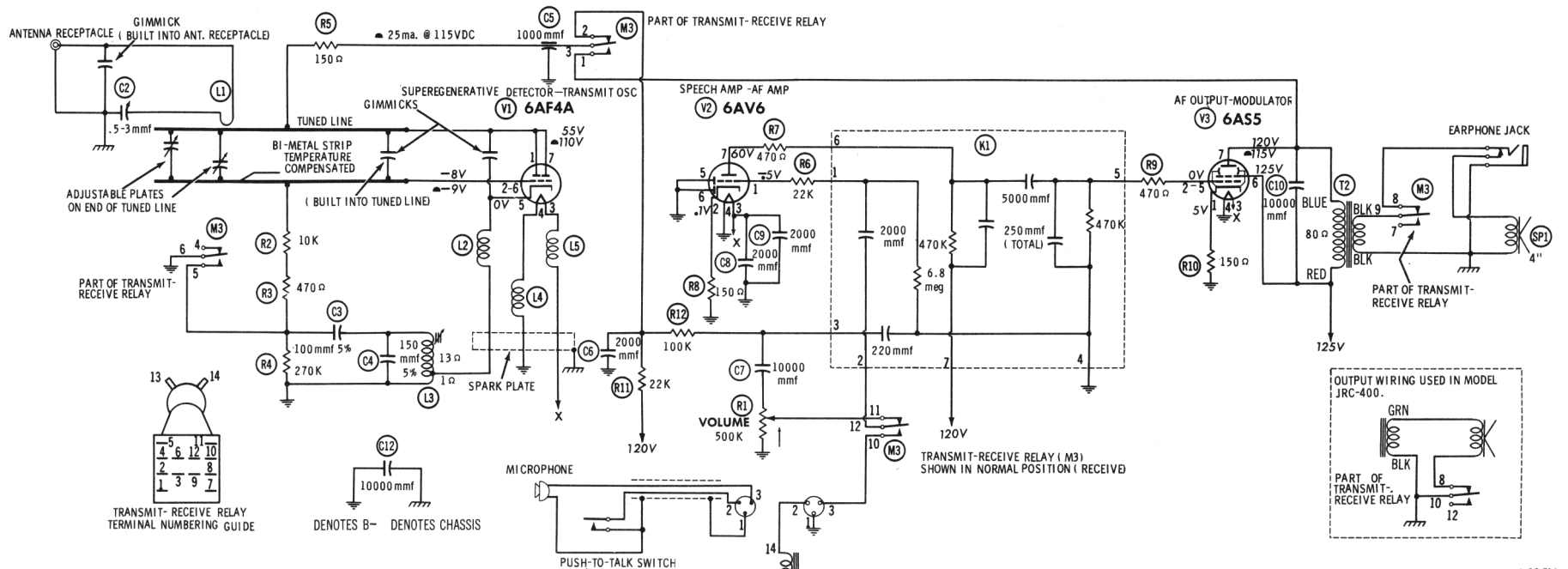
ITEM No.	PART NAME	VOCALINE PART No.	NOTES
M3	Relay		Switching

WIRING DATA

General-use Unshielded Hook-up Wire	Use BELDEN No. 8530 (Solid) Available in Ten Colors 8524 (Stranded) Available in Ten Colors
Power Cord	Use BELDEN No. 1765-B (6 Ft. Length) 1725-K (7½ Ft. Length)

CHASSIS—BOTTOM VIEW





TRANSMIT-RECEIVE RELAY
TERMINAL NUMBERING GUIDE

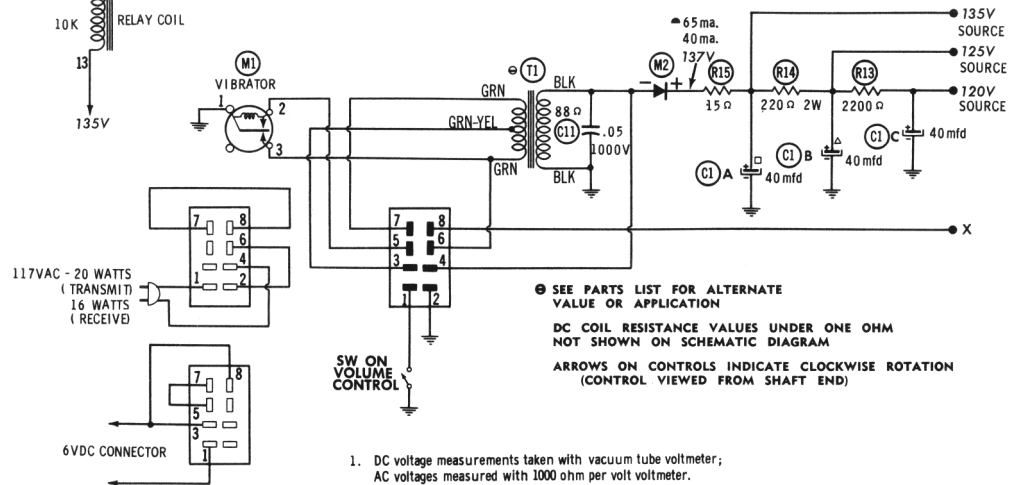
10000 mmf
DENOTES B- DENOTES CHASSIS

RESISTANCE READINGS

ITEM	TUBE	Pin 1	Pin 2	Pin 3	Pin 4	Pin 5	Pin 6	Pin 7
V1	6AF4A	†25K	280K	0Ω	1Ω	1Ω	280K	†25K
V2	6AV6	†315Ω	†10K	0Ω	1Ω	0Ω	†10K	†315Ω
V3	6AS5	150Ω	NC	1Ω	0Ω	0Ω	470K	†235Ω
							†315Ω	

ALL MEASUREMENTS TAKEN IN "RECEIVE" POSITION UNLESS OTHERWISE DESIGNATED
 † MEASURED IN "TRANSMIT" POSITION
 ‡ MEASURED FROM OUTPUT OF M2
 NC NO CONNECTION

NUMBERS ASSIGNED TO COILS, SWITCHES, PLUGS, SOCKETS, AND TRANSFORMERS ARE TO FACILITATE CIRCUIT TRACING OR COMPONENT REPLACEMENT AND MAY NOT NECESSARILY BE FOUND ON THE UNIT.



SEE PARTS LIST FOR ALTERNATE VALUE OR APPLICATION

DC COIL RESISTANCE VALUES UNDER ONE OHM NOT SHOWN ON SCHEMATIC DIAGRAM

ARROWS ON CONTROLS INDICATE CLOCKWISE ROTATION (CONTROL VIEWED FROM SHAFT END)

1. DC voltage measurements taken with vacuum tube voltmeter; AC voltages measured with 1000 ohm per volt voltmeter.
2. Socket connections are shown as bottom views.
3. Measured values are from socket pin to common ground.
4. Line voltage maintained at 117 volts for voltage readings.
5. Nominal tolerance of component values makes possible a variation of ±15% in voltage and resistance readings.
6. All controls at minimum, proper output load connected.