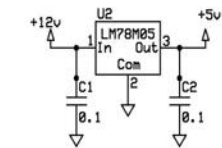
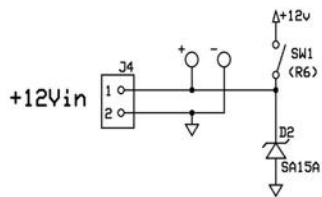
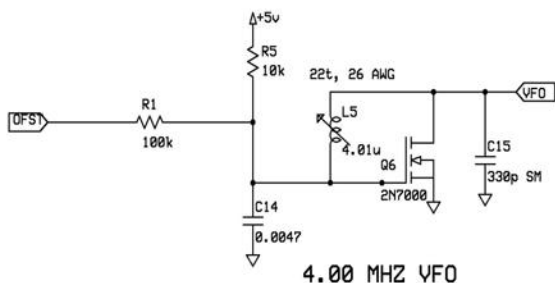


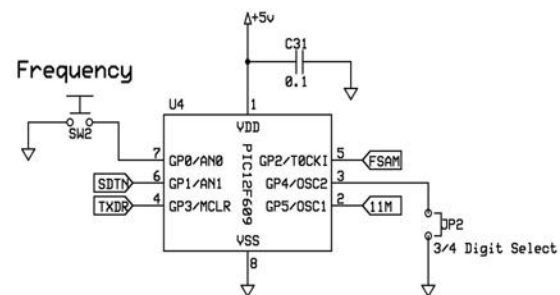
<b>4SQRP</b>		
<b>Super Cyclone</b>		
D. Cripe NM0S	Rev A	Page #2 of 2
	06/23/2013	



+5v Regulator

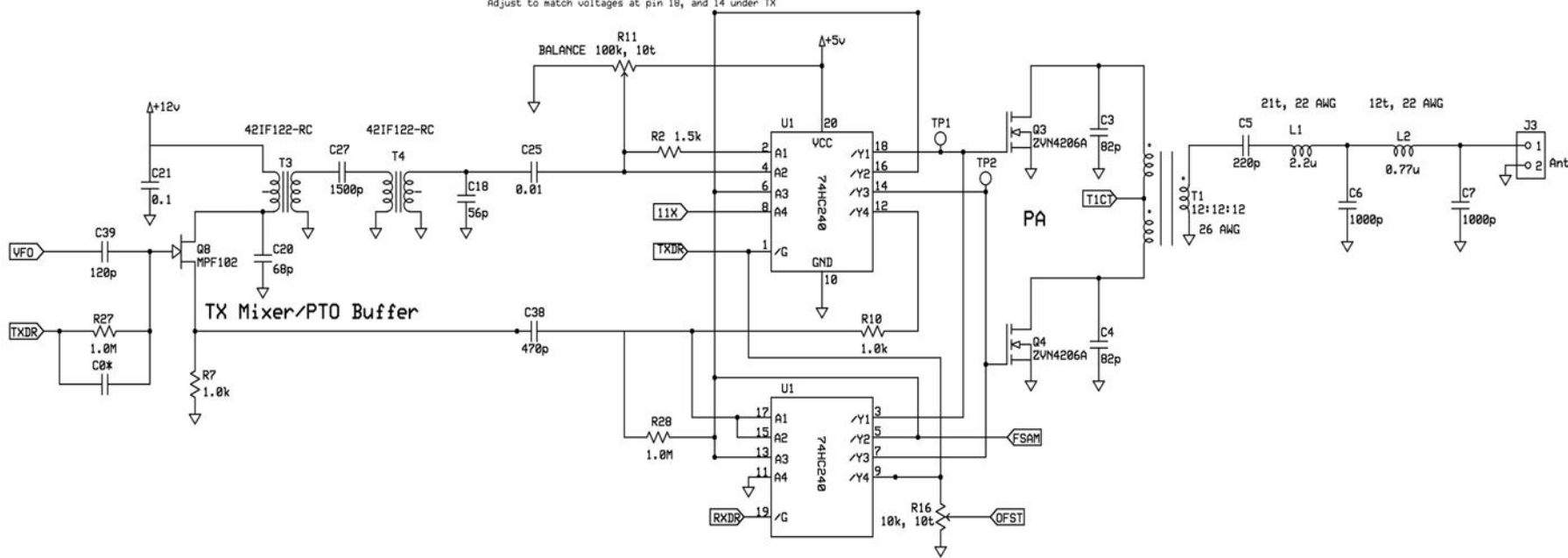


4.00 MHz VFO



Driver/Multiplexer

Adjust to match voltages at pin 18, and 14 under TX



<b>4SQRP</b>		
<b>Super Cyclone</b>		
D. Cripe NM0S	Rev A.0 06/23/2013	Page 1 of 2

