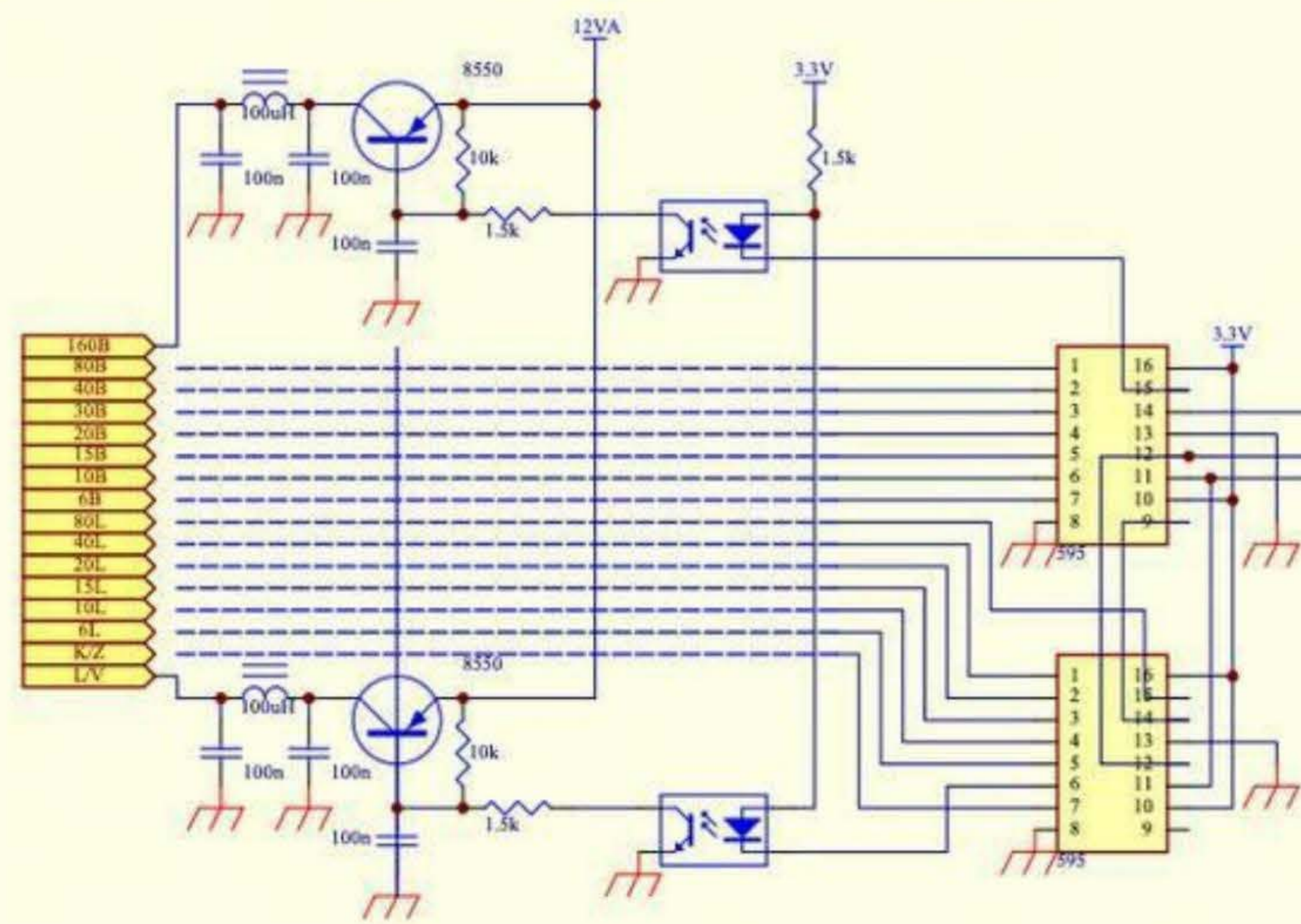
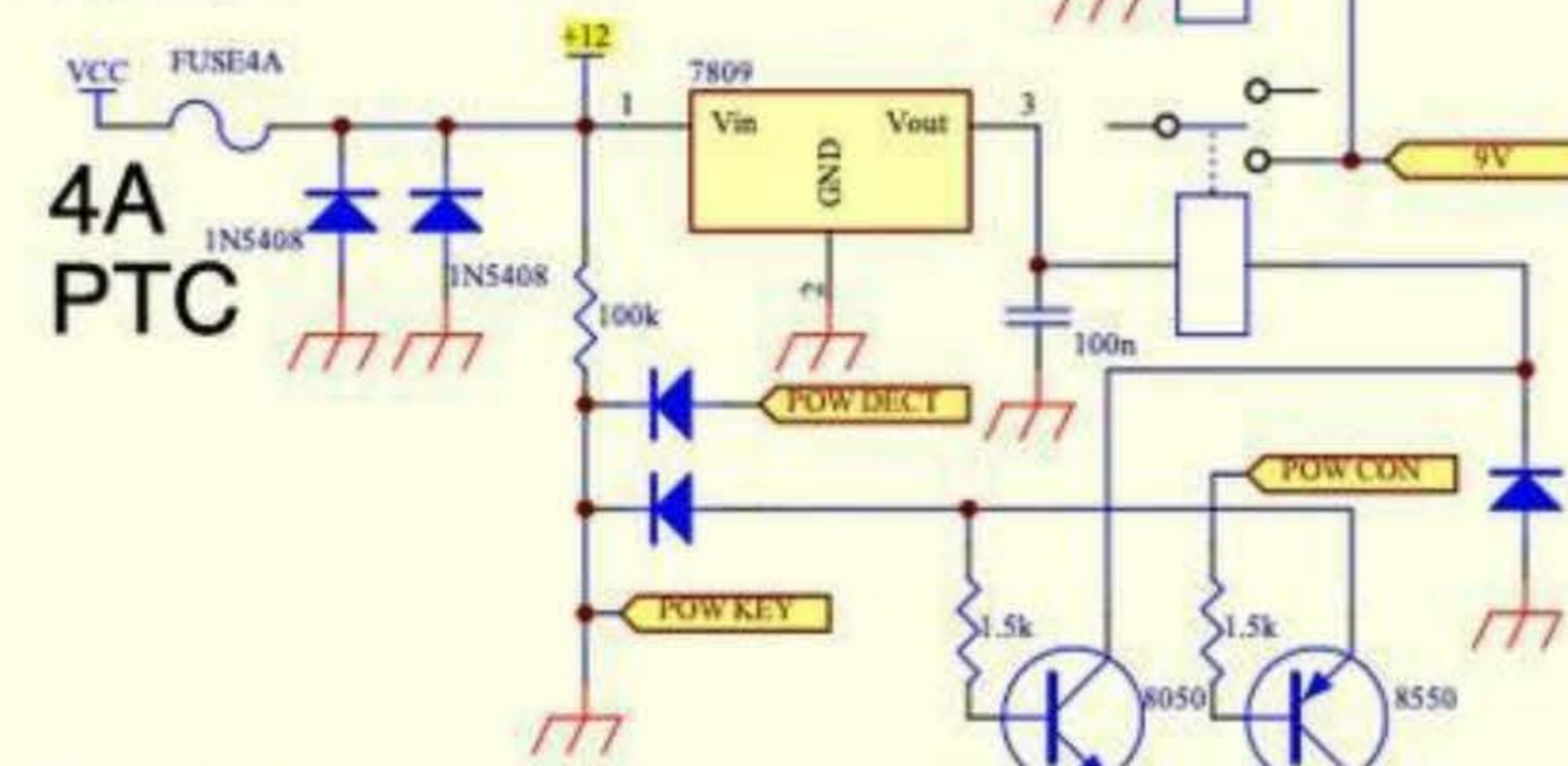


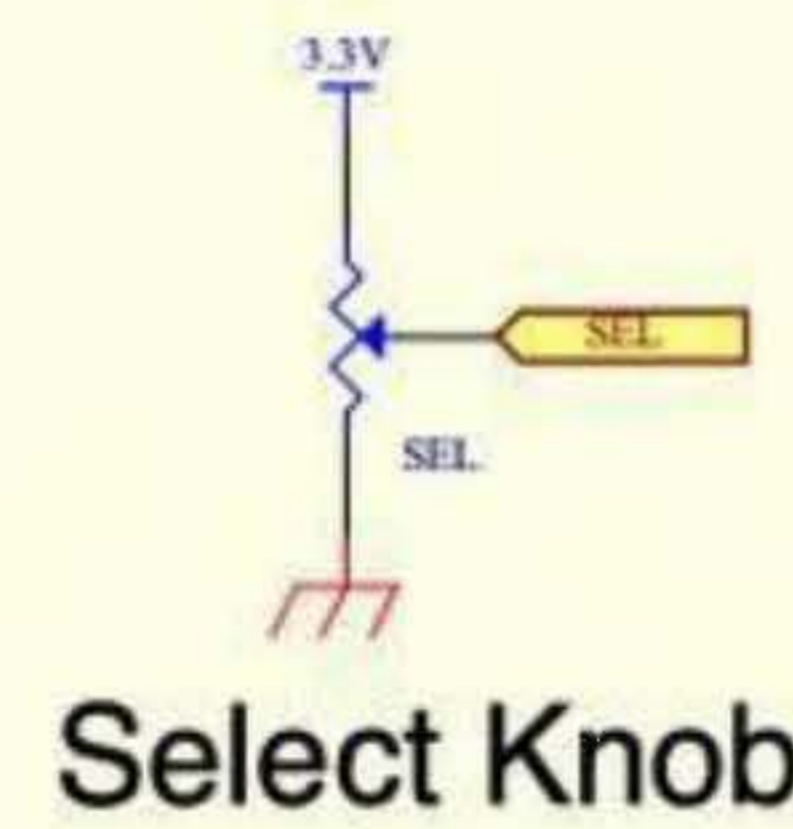
Bat for CMOS



12V Conn.

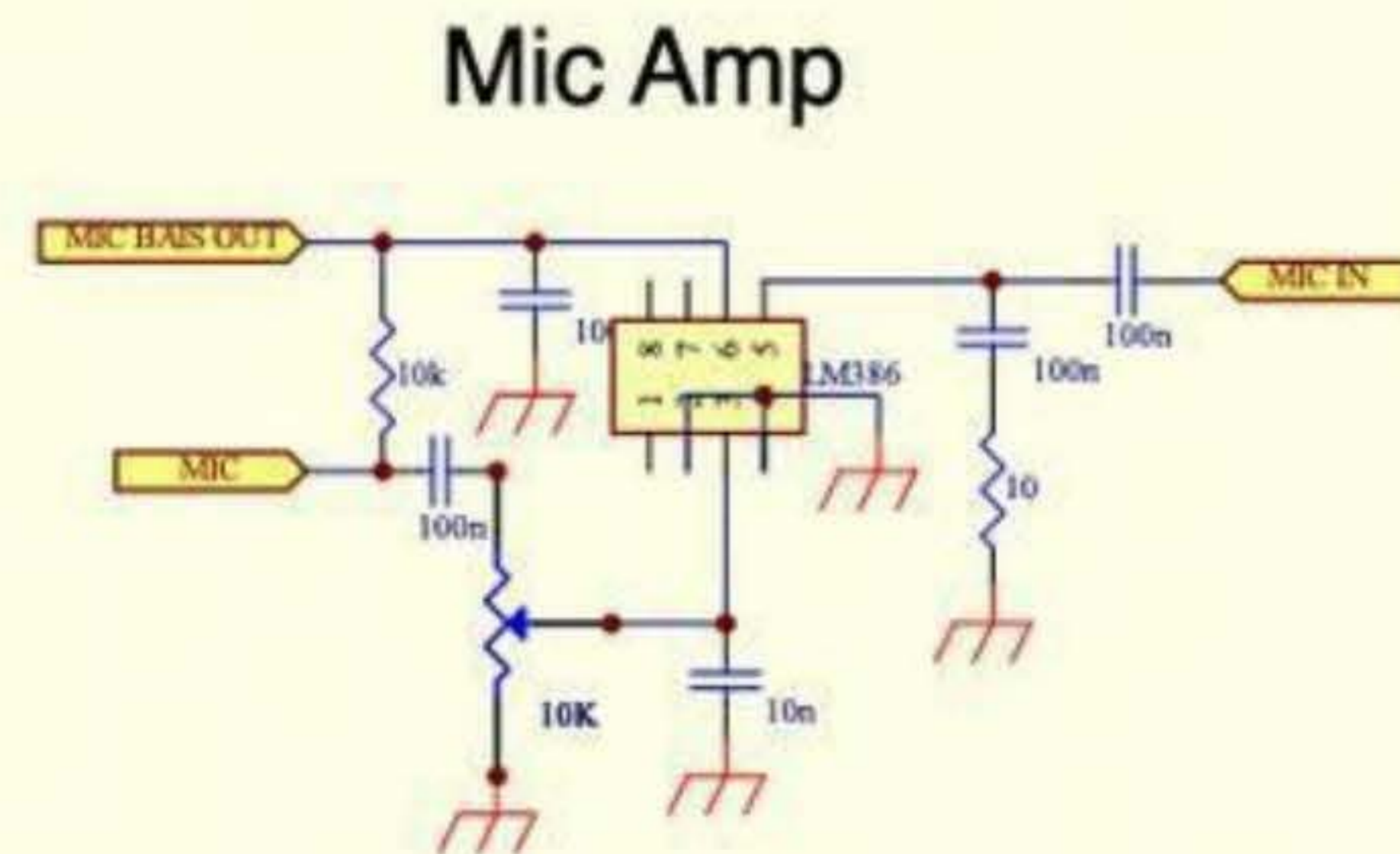


Power Conditioner



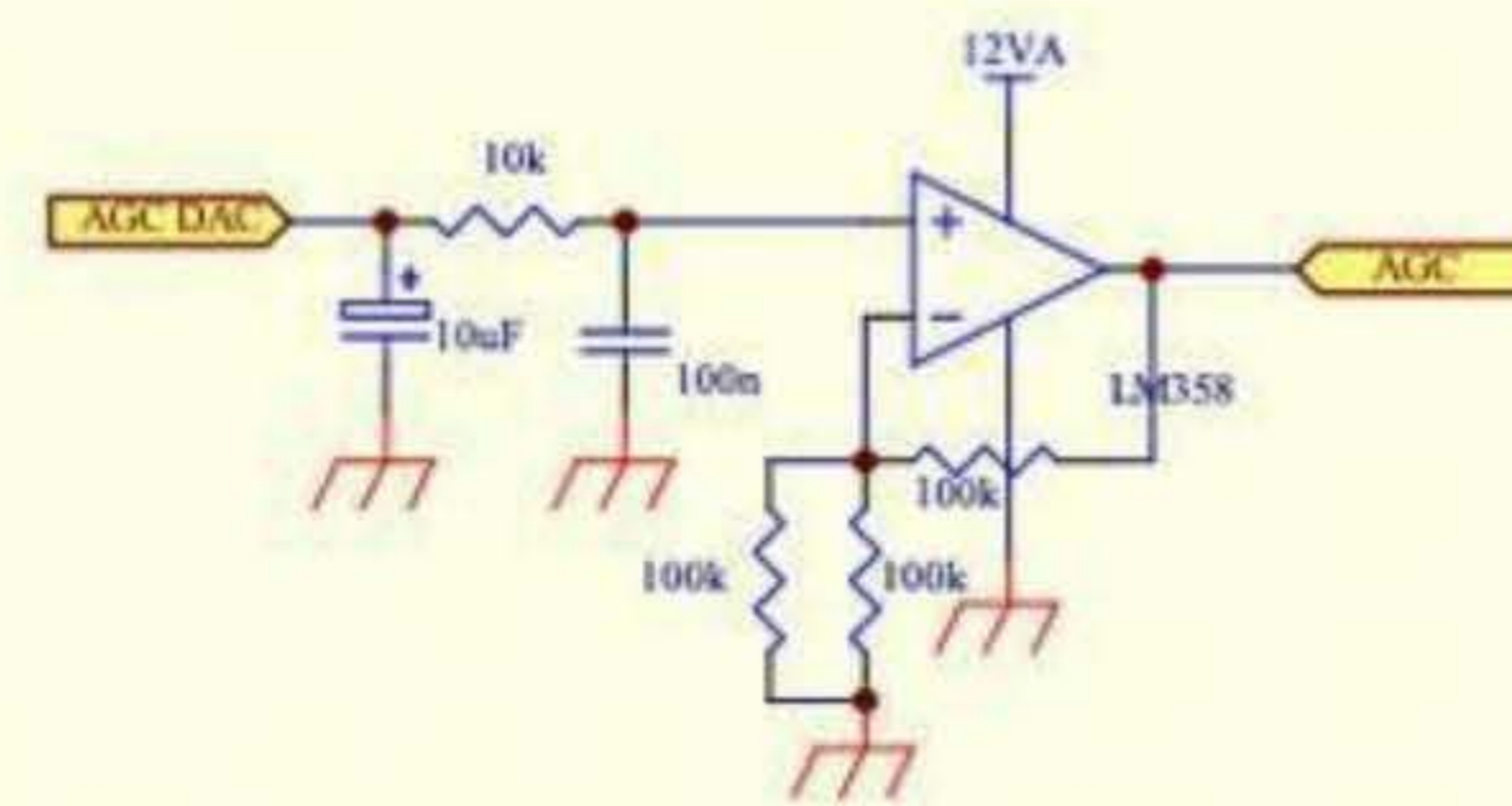
Select Knob

Photocoupler for EL357

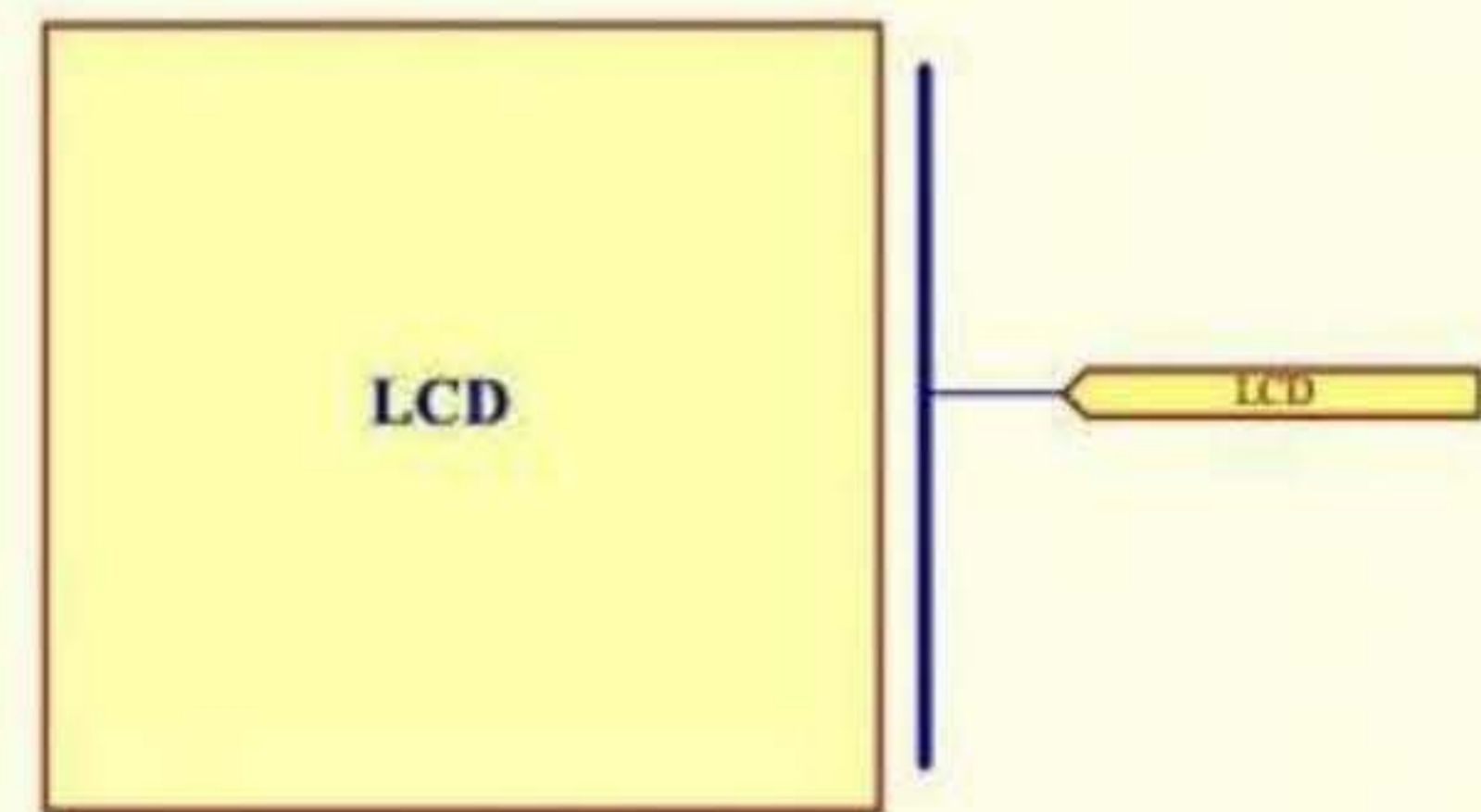


Mic Amp

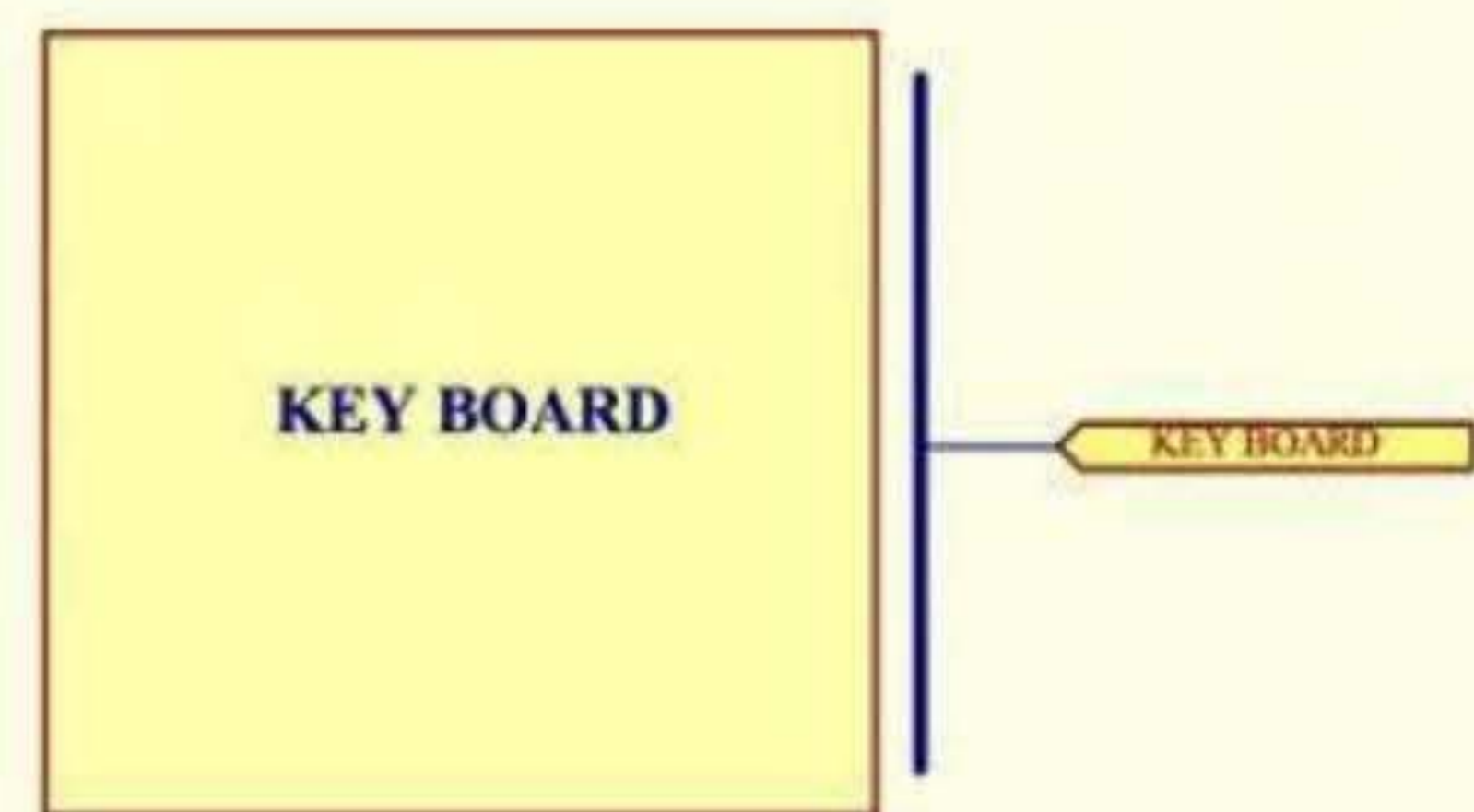
AGC



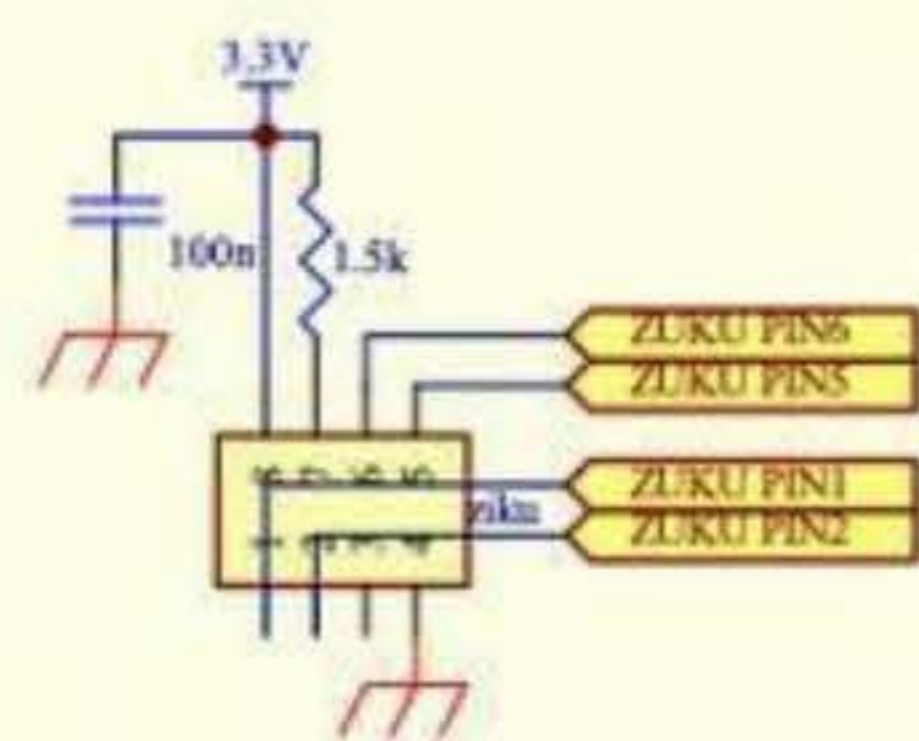
BPF



LCD

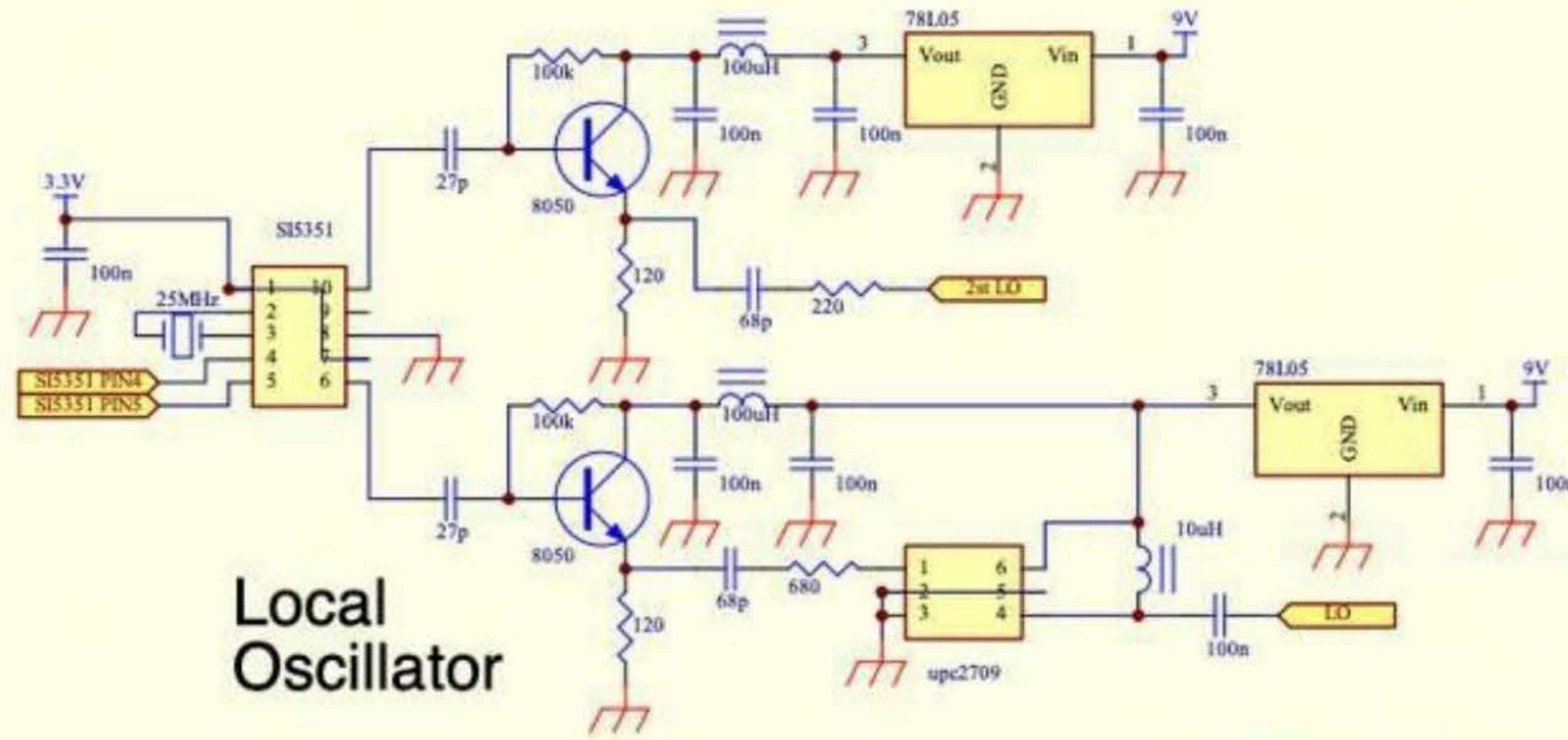


KEY BOARD

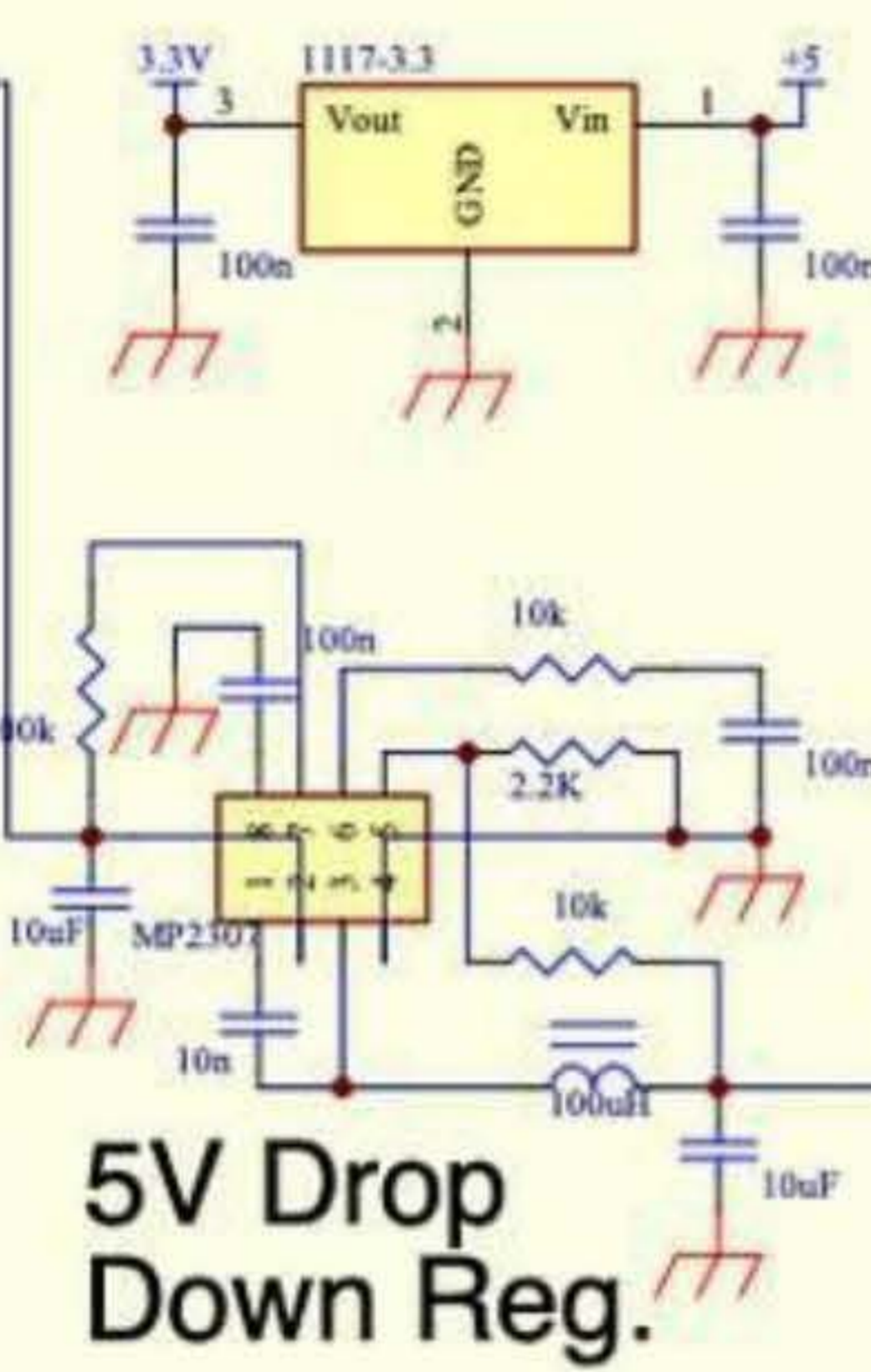


Mic Conn.

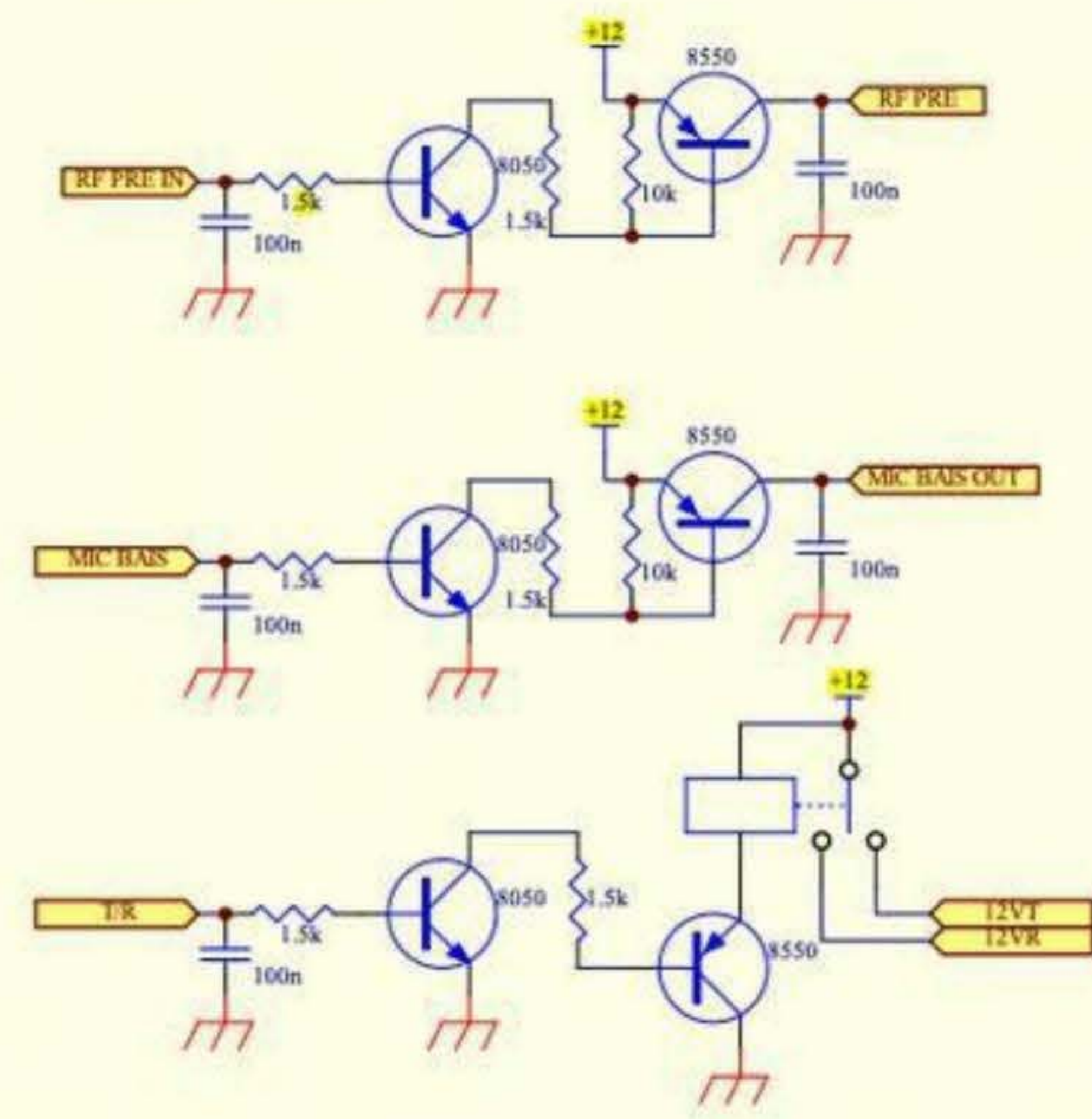
Local Oscillator



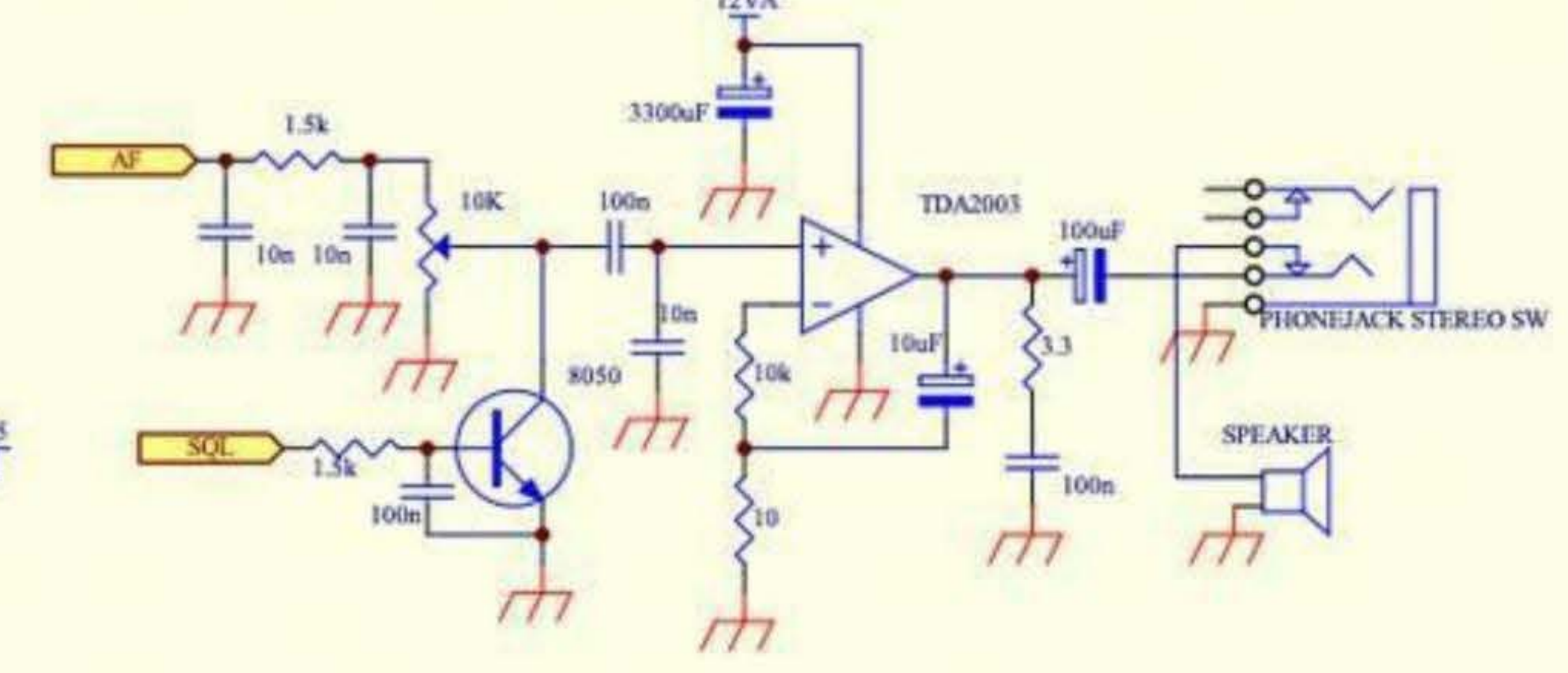
CPU 3.3 V



5V Drop Down Reg.

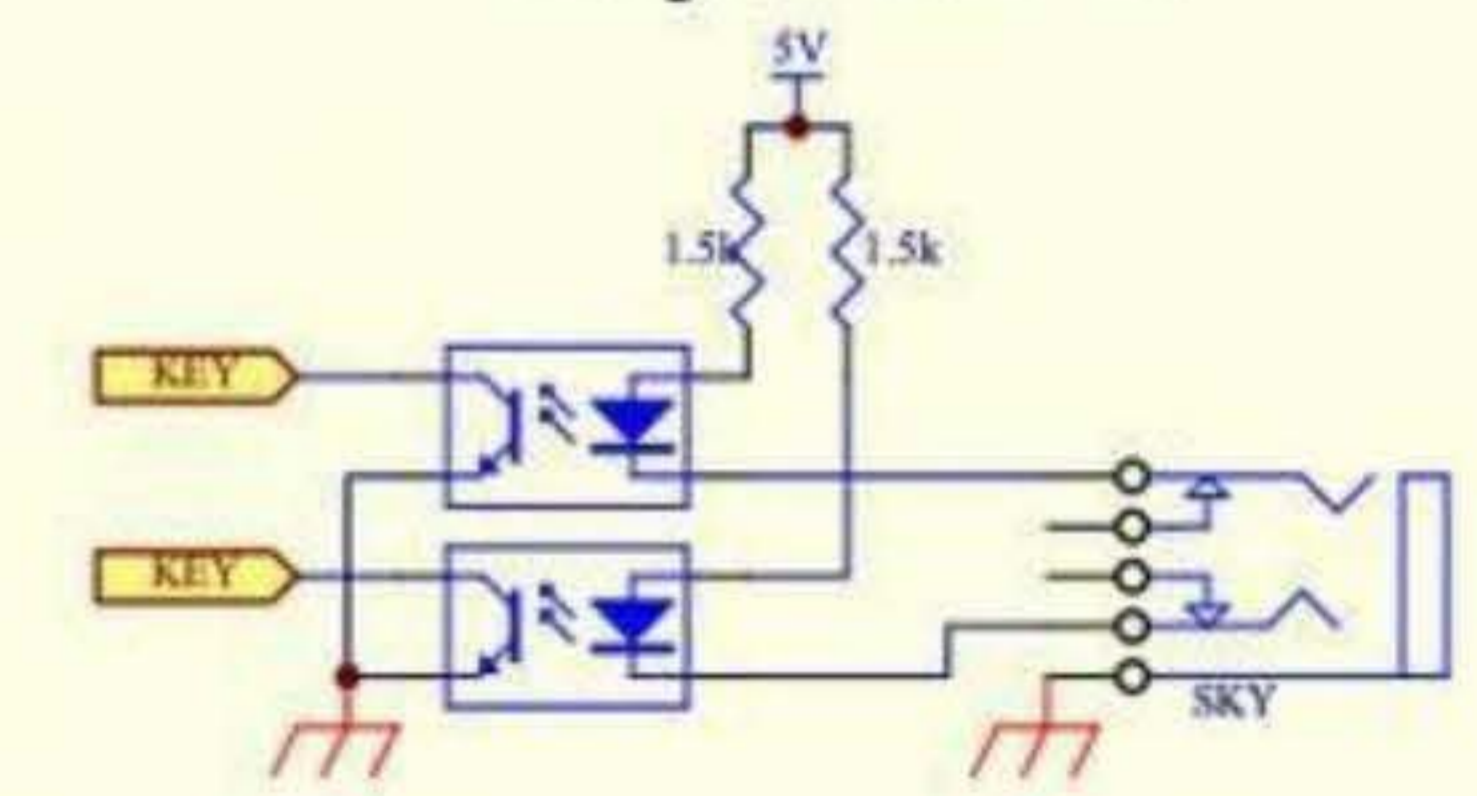


Audio Amp.



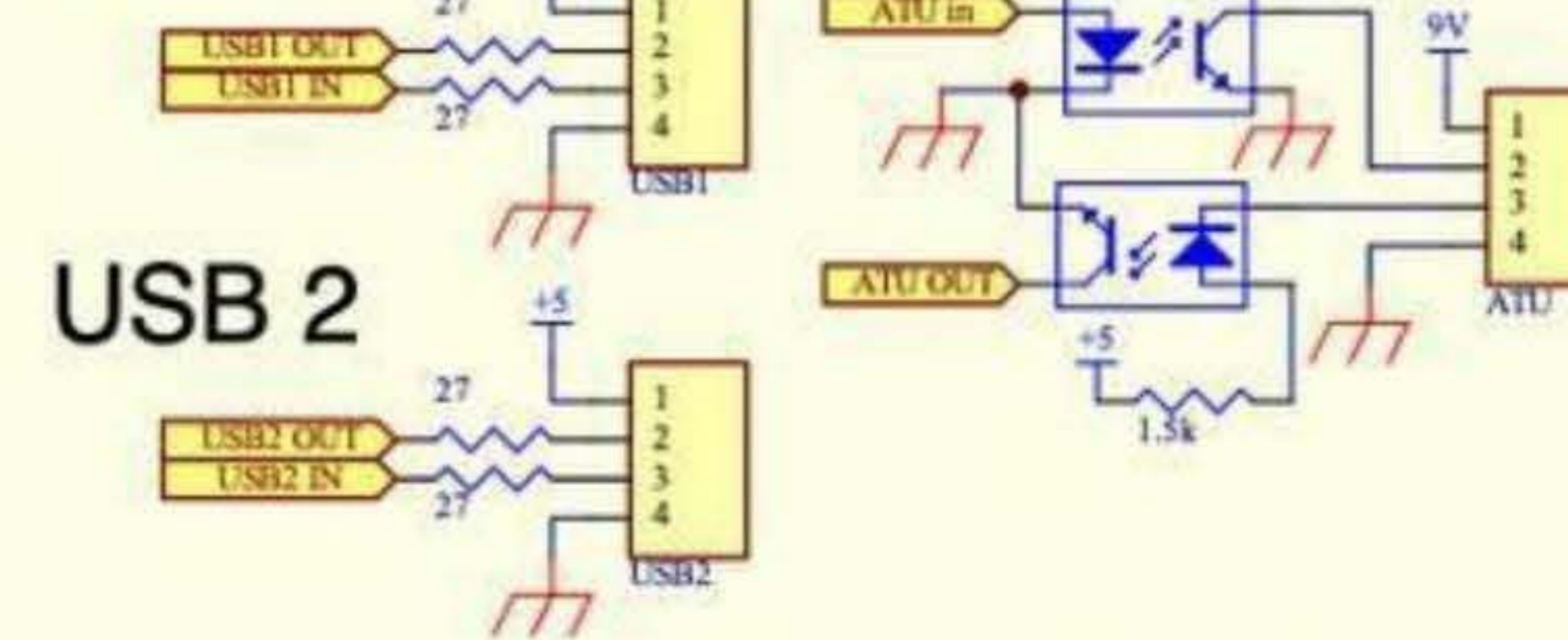
ATU Conn.

Keyer Jack

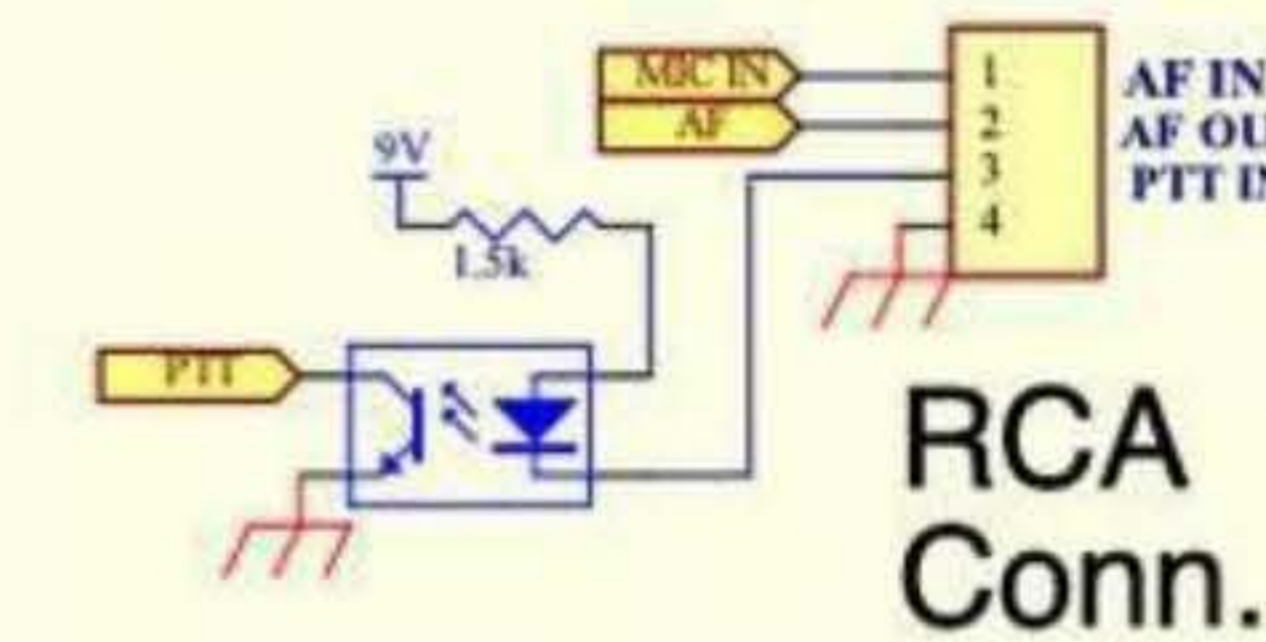


USB 1

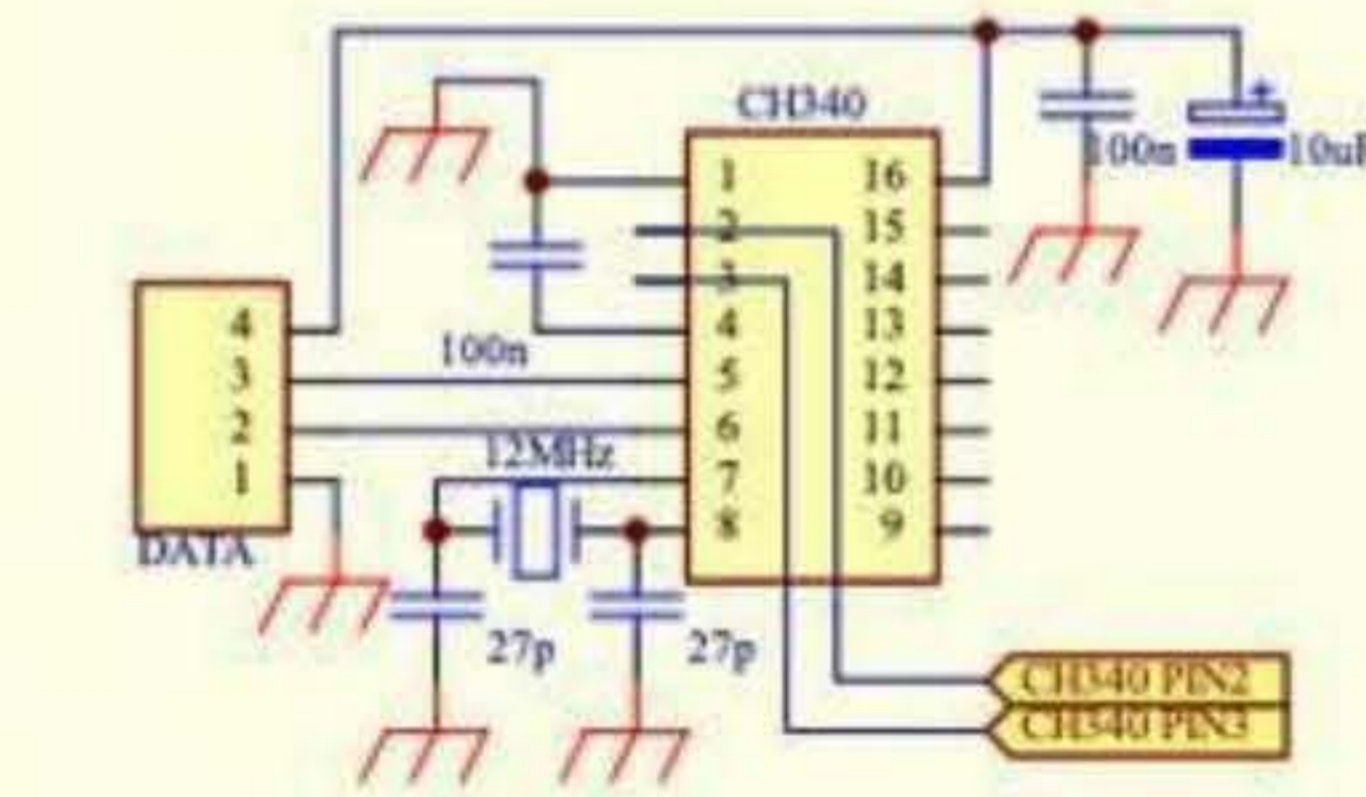
USB 2



RCA Conn.



USB-A



KN990 By BA6BF

Amp Connection

2019.6.26

Title		
Size	Number	Revision
A2		
Date:	26-Jun-2019	Sheet of
File:	D:\KN990SCH\990SCH.dbs	Drawn by: