

Unit function

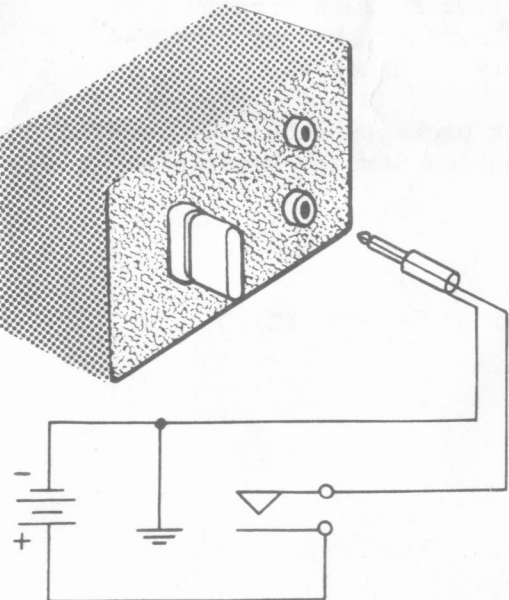
The Rockhound is a crystal-controlled QRPp 40-meter CW transmitter. It is intended for local and remote battery-powered operation.

The unit is attached to an antenna through the RCA jack on the front panel. Power is provided through the keying-function phone jack and plug.

The Rockhound expects to see an antenna impedance of 50 ohms, and has an adjustable "pi" output network to peak power output.

The Rockhound can be driven by a VFO if the VFO output cable is inserted in the crystal socket.

Installation



Limited Warranty

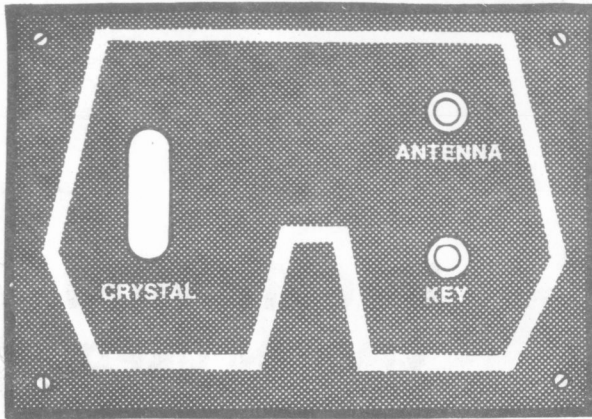
Kantronics, Inc., warrants each new Rockhound to be free from defects in material and workmanship under normal use and service for a period of 90 days after delivery to the ultimate user. Kantronics will replace or repair the Rockhound, at our option, at no charge should it become defective and should our examination disclose the Rockhound to be defective and under warranty.

This warranty shall not apply to any Rockhound that has been subject to misuse, neglect, accident incurred due to wiring not of our own installation, or to use in violation of instructions furnished by Kantronics. This warranty will not be extended to units that have been repaired or altered outside our facilities.

This warranty does not cover broken or cracked cabinets, or any accessory used in connection with the Rockhound. This warranty is in lieu of all other warranties expressed or implied, and no representative or person is authorized to assume for Kantronics any other liability in connection with the sale of its products.

Rockhound[™] Crystal QRPp transmitter

 **Kantronics**
(913) 842-7745
1202 E. 23rd Street
Lawrence, Kansas 66044



Crystal

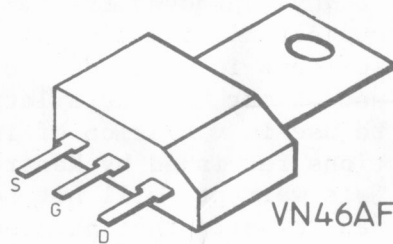
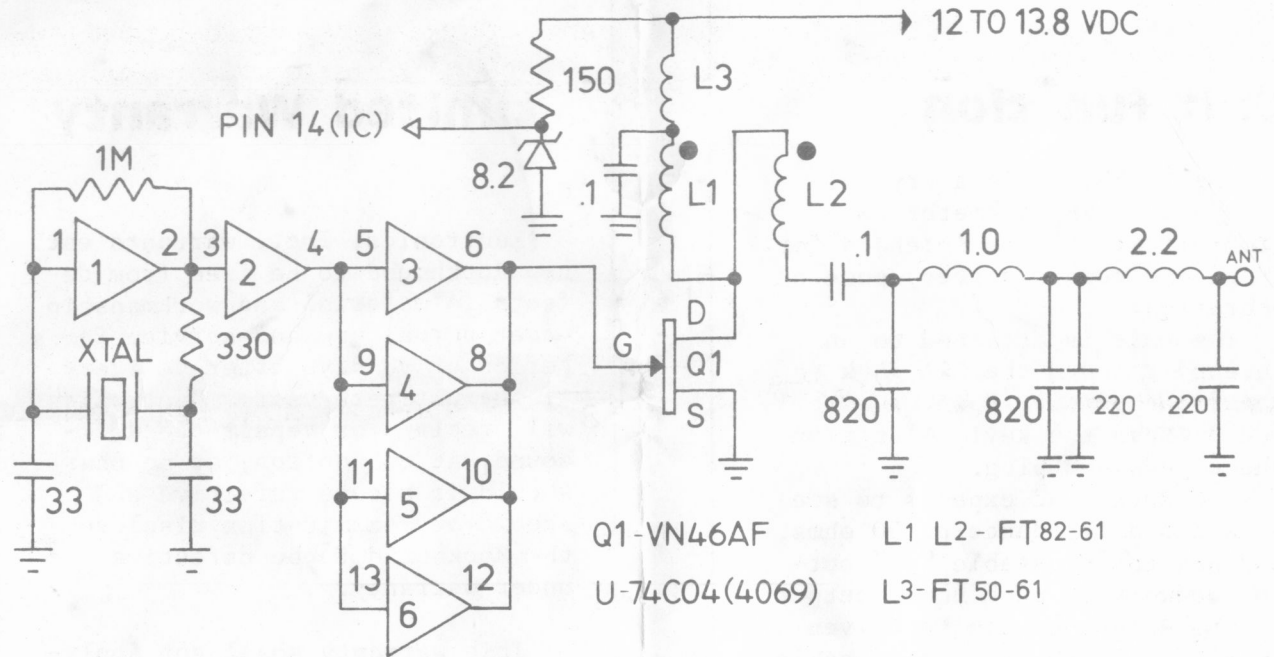
Insert any 40 or 80 meter crystal, depending on model, in this socket. The crystal determines operating frequency.

Antenna

Attach an antenna to the RCA jack provided. The shield of the jack is ground.

Power and key

Attach the center pin of the phone plug provided to one side of a code key. Attach the other side of the key to a +12 VDC source. Attach the ground side of the phone plug to ground. Make sure the crystal is inserted in the crystal socket first.



Service

For service information or repairs please write to:

Kantronics, Inc.
 1202 E. 23rd Street
 Lawrence, Kansas 66044
 (913) 842-7745

Repair packages should be labeled "Attention Service Department"

Revision: 3-1-80 RL/SO

Specifications

Power Requirements

External 12 to 15 VDC supply or battery

Bandwidth

40 meter band OR
80 meter band model

Power Output

2 watts output into
50 ohm load

Size

Approximately HWD
2" by 4" by 3"