

# YAESU FP707-FP757



## PSU REPAIR

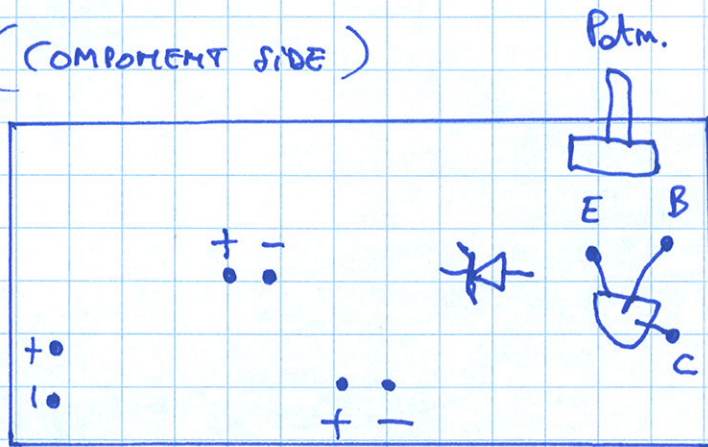
© Pedro M. J. WYMS  
OM7WP-AA9HX

— "another" design issue

Q103 UNDERSIZED

(SYMPTOM: 22V output  
in stead of 13,8V)

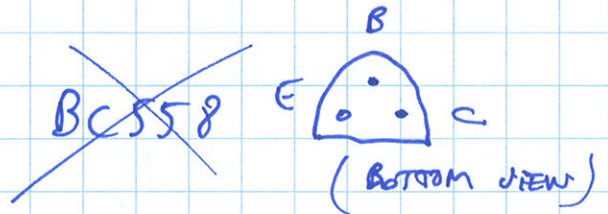
(COMPONENT SIDE)



→ ~~PNP BC558~~  
> 300 mA  $I_{C_{max}}$

"WAS" 2S4550

↳ fails regularly!



BC369

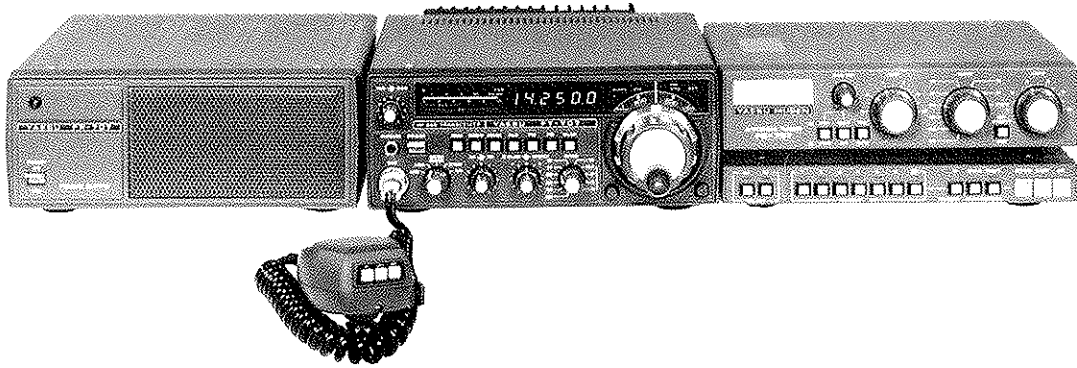


→ do NOT replace by "universal" NPN like BC558

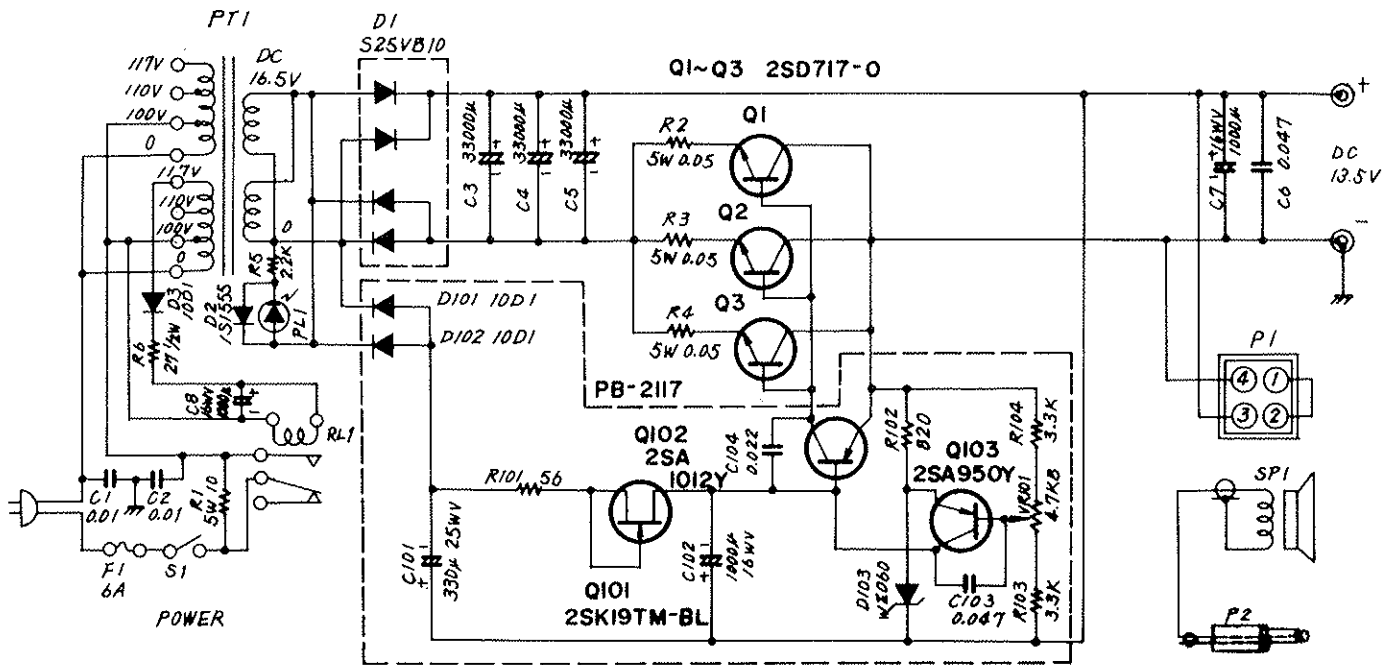
→ too weak, needs HIGH  $I_c$  NPN like BC369

(bend middle collector leg to other side to fit PCB)

© 2018/01/2 by Pedro M. J. WYMS



FP-707/FT-707/YM-35/ FC-707/FV-707DM



**FP-707  
CIRCUIT DIAGRAM**

FP-707 CIRCUIT DIAGRAM