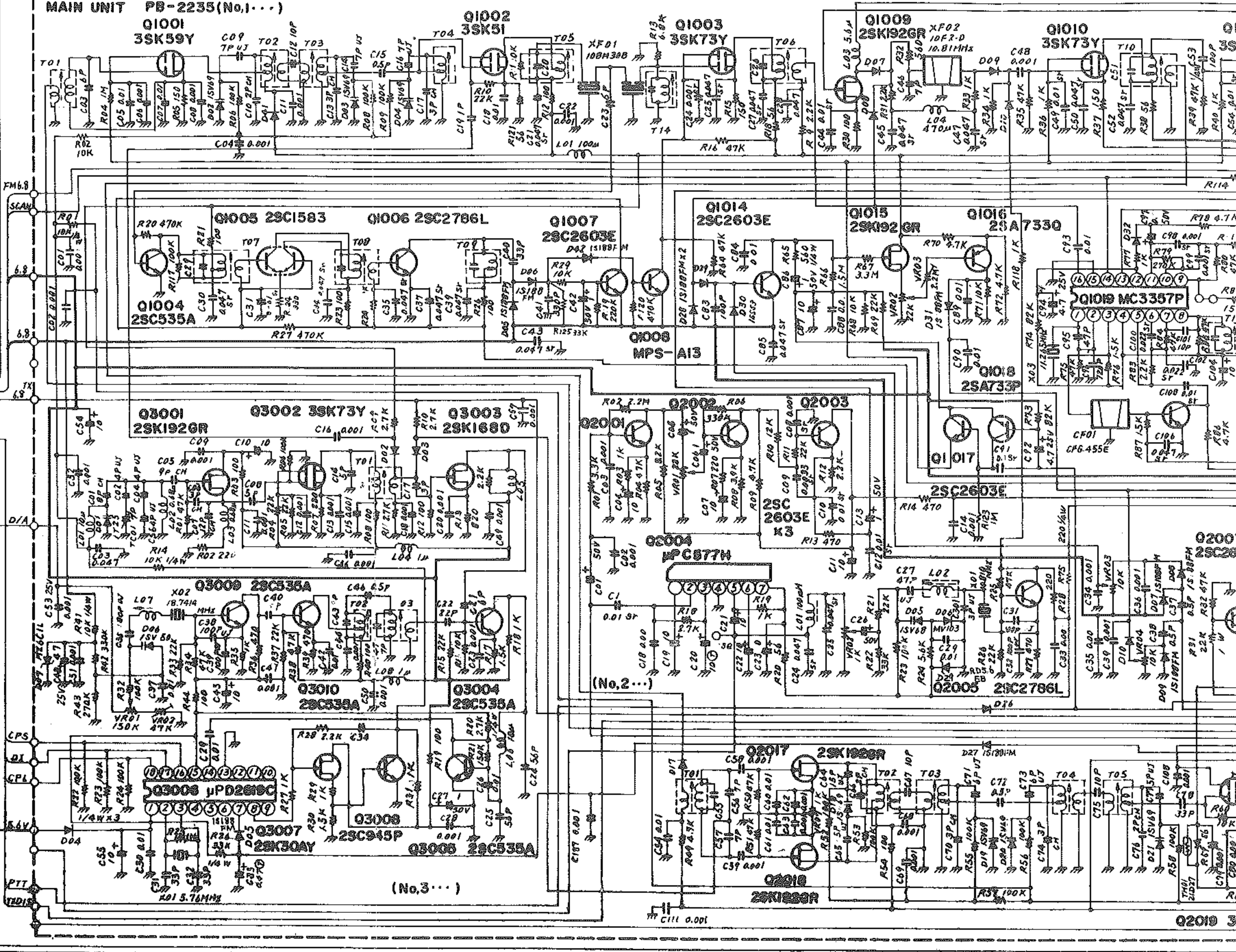
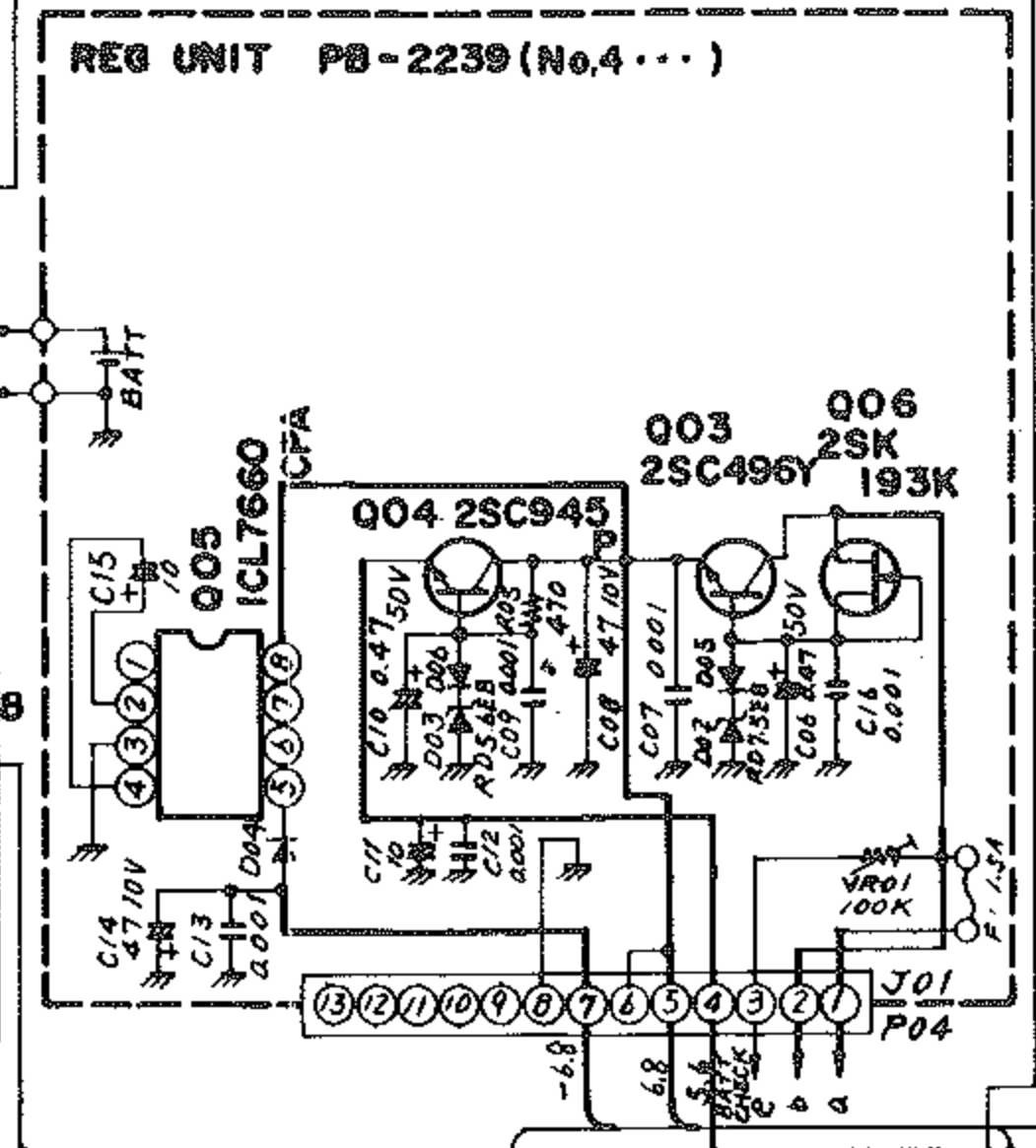
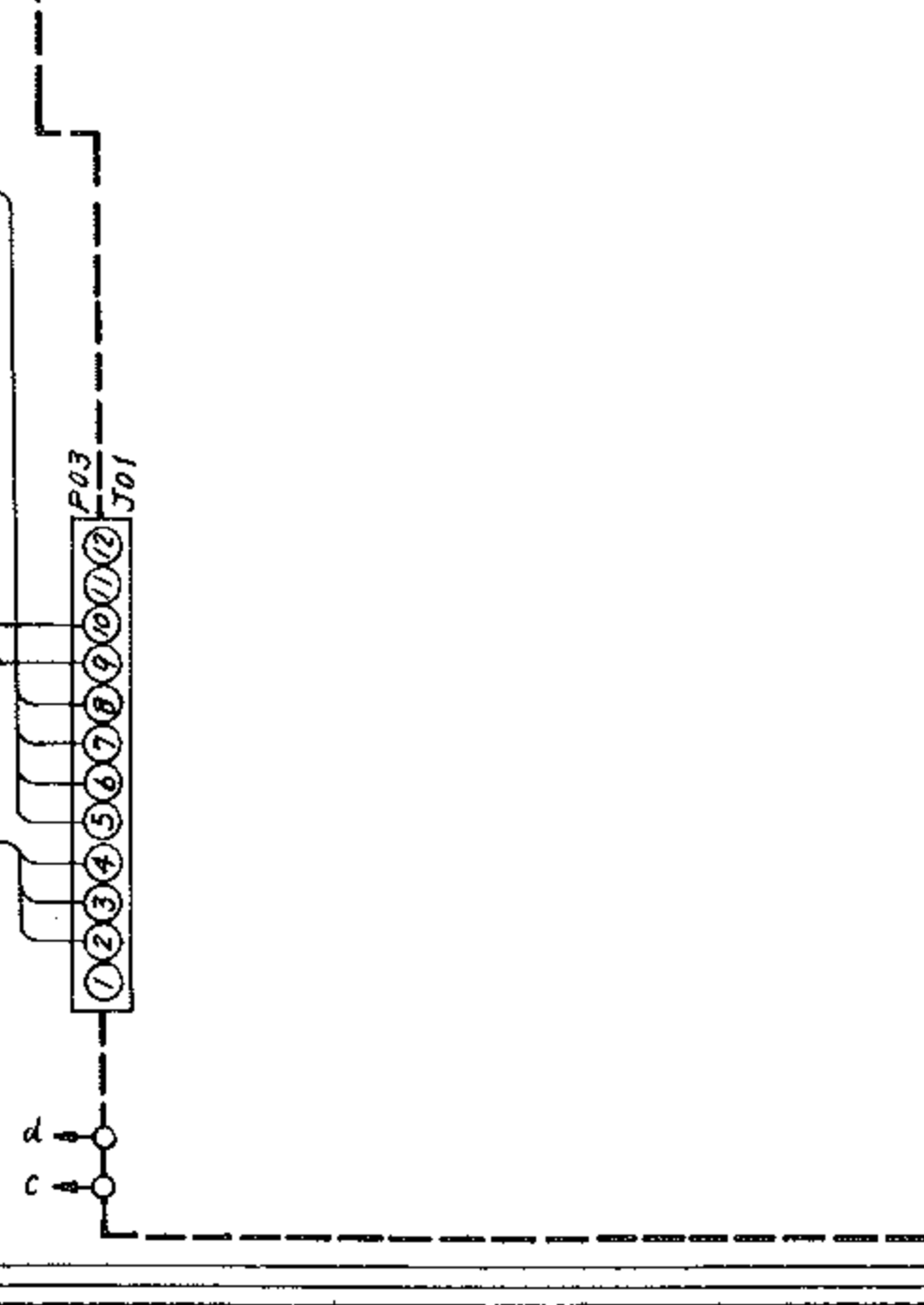
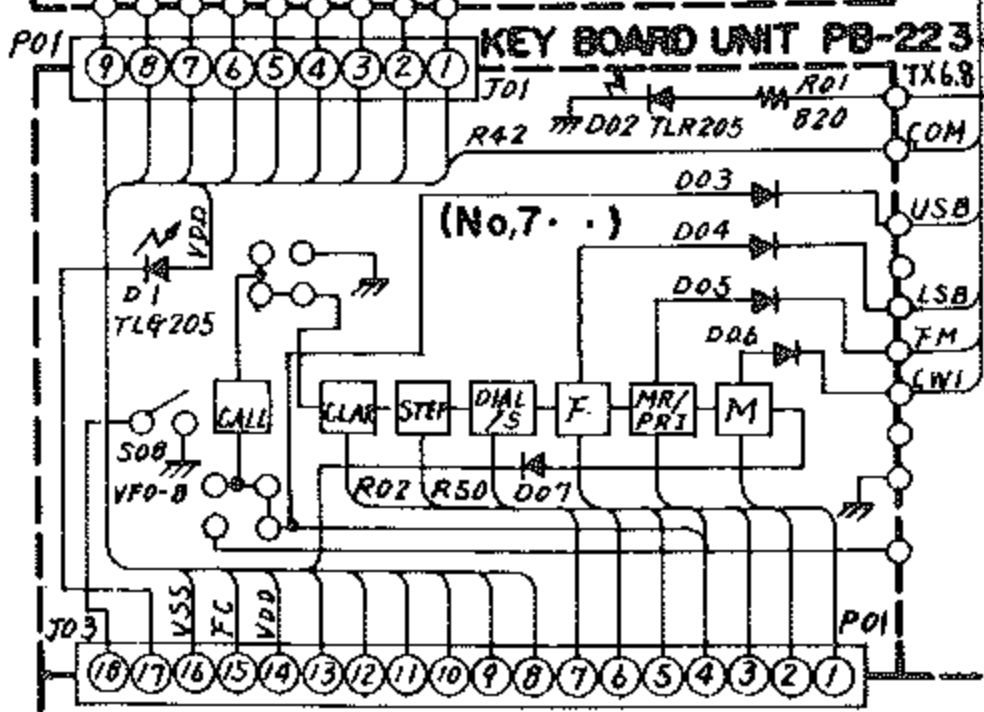
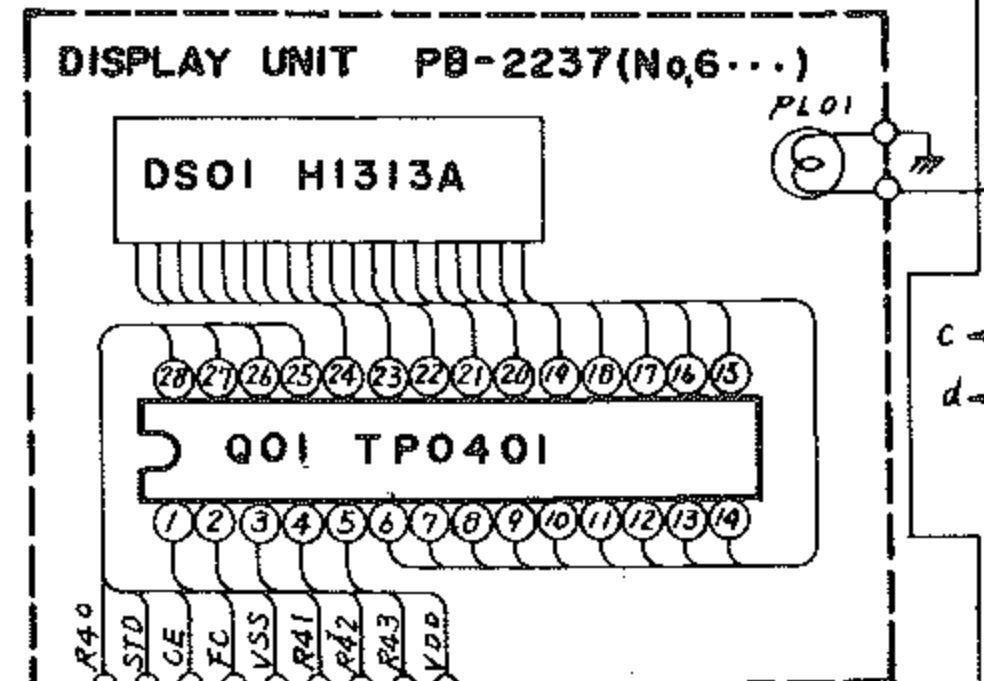
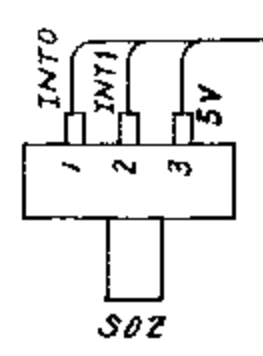
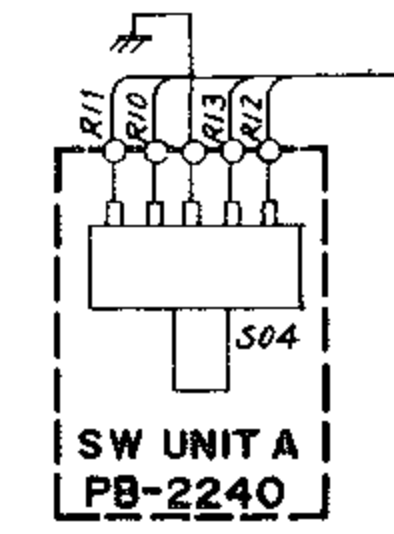
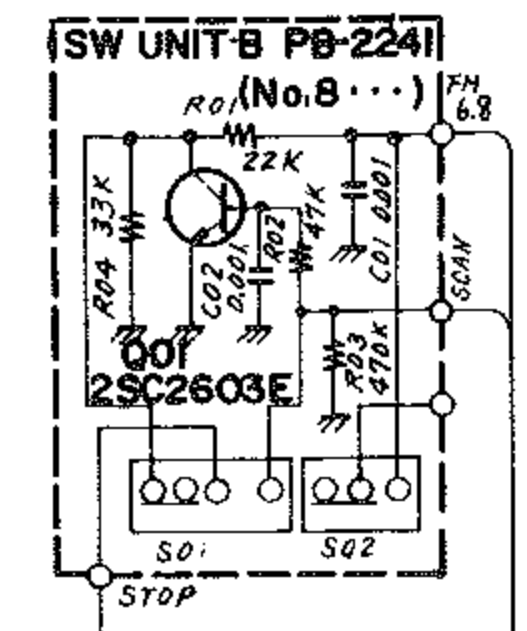


FT-290
CIRCUIT DIAGRAM



- NOTES:**
1. ALL RESISTORS ARE IN Ω UNLESS OTHERWISE NOTED.
 2. ALL CAPACITORS ARE IN μF UNLESS OTHERWISE NOTED.
 3. ALL DIDDIES ARE 1SS53 UNLESS OTHERWISE NOTED.
 4. ALL ELECTROLYTIC CAPACITORS ARE 16V UNLESS OTHERWISE NOTED.
 5. VALUE IS NOMINAL.

